

# L34RR-Recessed Installation Instructions

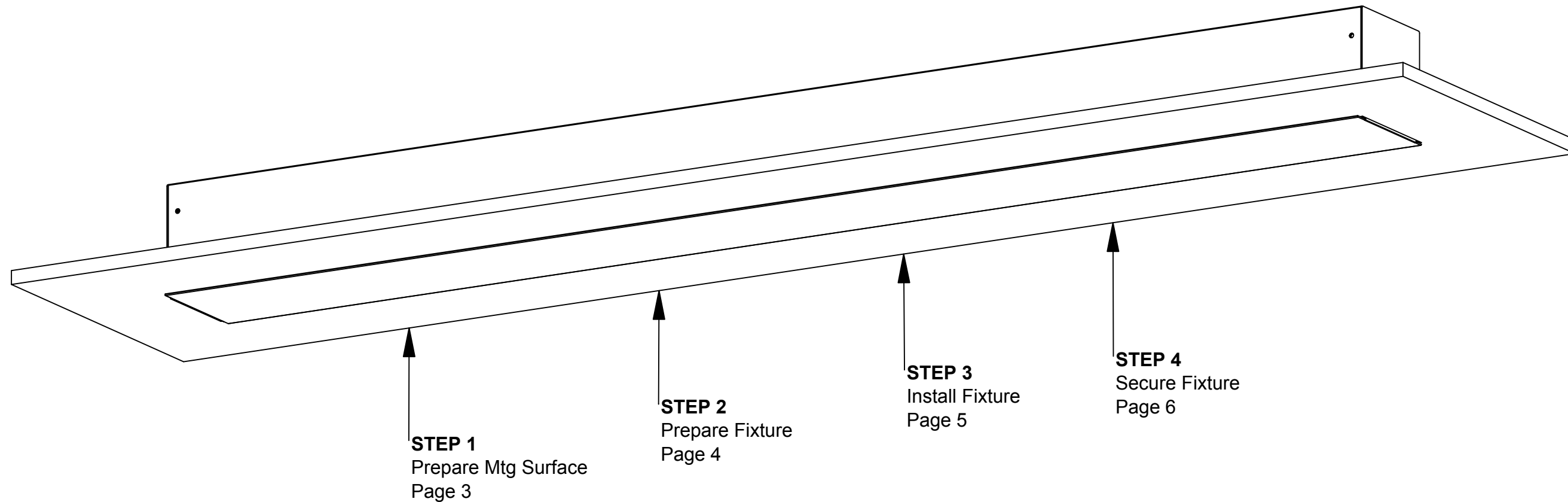
## Overview



Texas Fluorescents Reinvented

### WARNINGS

- This product must be installed in accordance with all applicable codes by a person familiar with the product.
- Each fixture must be **properly supported** during install.
- **DO NOT** join fixtures on the floor prior to lifting, or damage will occur.
- **Before beginning installation**, review our complete list of warnings by visiting [www.saylite.com/warnings](http://www.saylite.com/warnings).



We believe  
in the power  
of light.



Your particular build may vary.

2019© Saylite | 2055 Luna Road, Suite 142 Carrollton, Texas 75006 | [www.saylite.com](http://www.saylite.com)

1 of 6

Form BWE - 44-66-Recessed V1 10/19

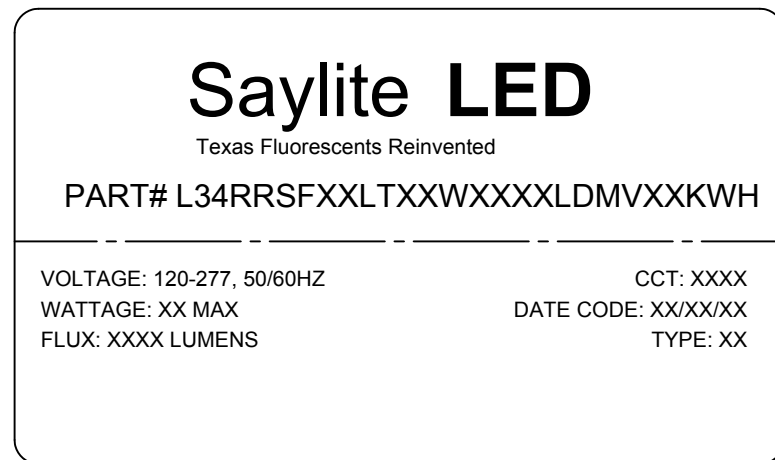
# L34RR-Recessed Installation Instructions

## Preparation - Tools/Parts Identification



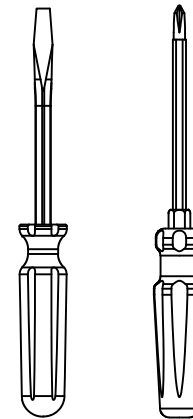
Texas Fluorescents Reinvented

### A. Identify Fixtures



- Use labels found on the box and inside fixture bodies to identify bodies.
- **NOTE:** Locations of labels can vary.
- Remove all fixtures from their boxes.
- Organize fixtures based on their labels at the install location.

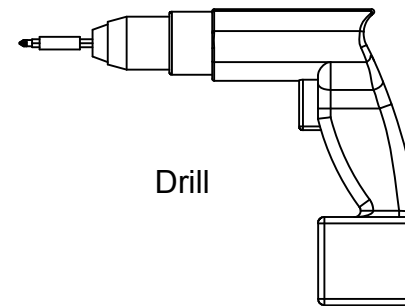
### B. Tools Needed



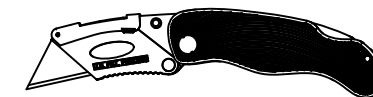
Screwdrivers



Safety Glasses



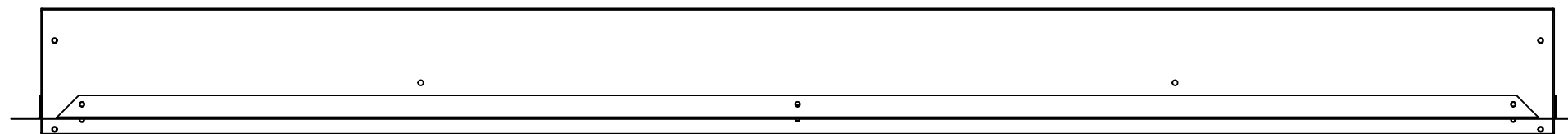
Drill



Utility Knife

- Always use proper safety equipment when installing fixtures.
- Tools shown are recommended for standard install. Tools needed may vary based on actual install location conditions.

### C. Identify Parts



L34RR-Recessed Fixture  
(Provided)

- Read entire install instructions before beginning installation.
- Unpack all components and arrange in order of install steps.
- For help with installation, please contact us at [www.saylite.com](http://www.saylite.com) or call us at (972) 247-3171.

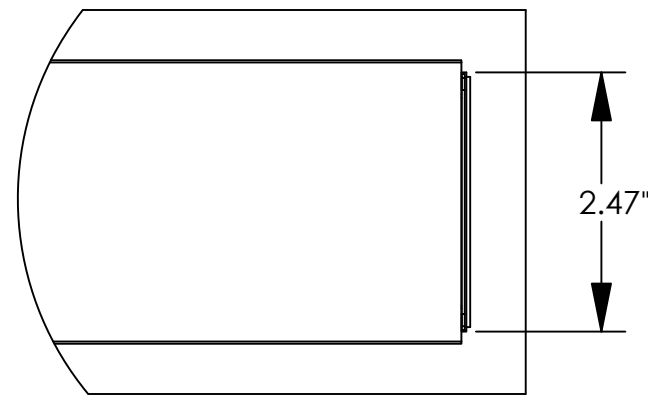
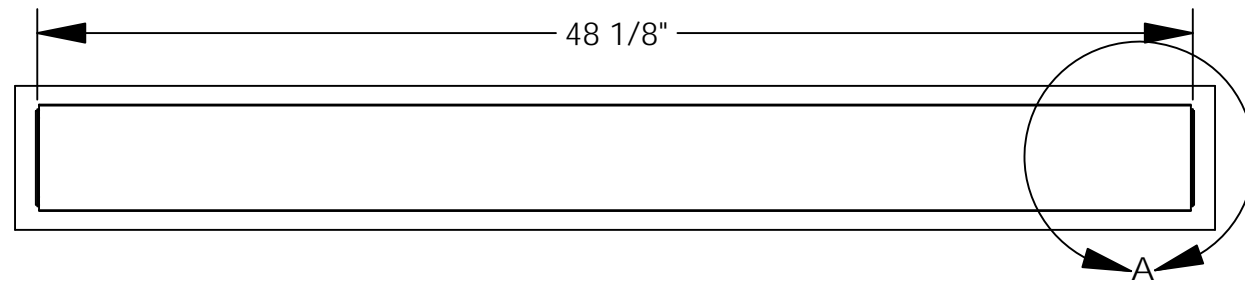
# L34RR-Recessed Installation Instructions

## Step 1 - Prepare Mounting Surface



Texas Fluorescents Reinvented

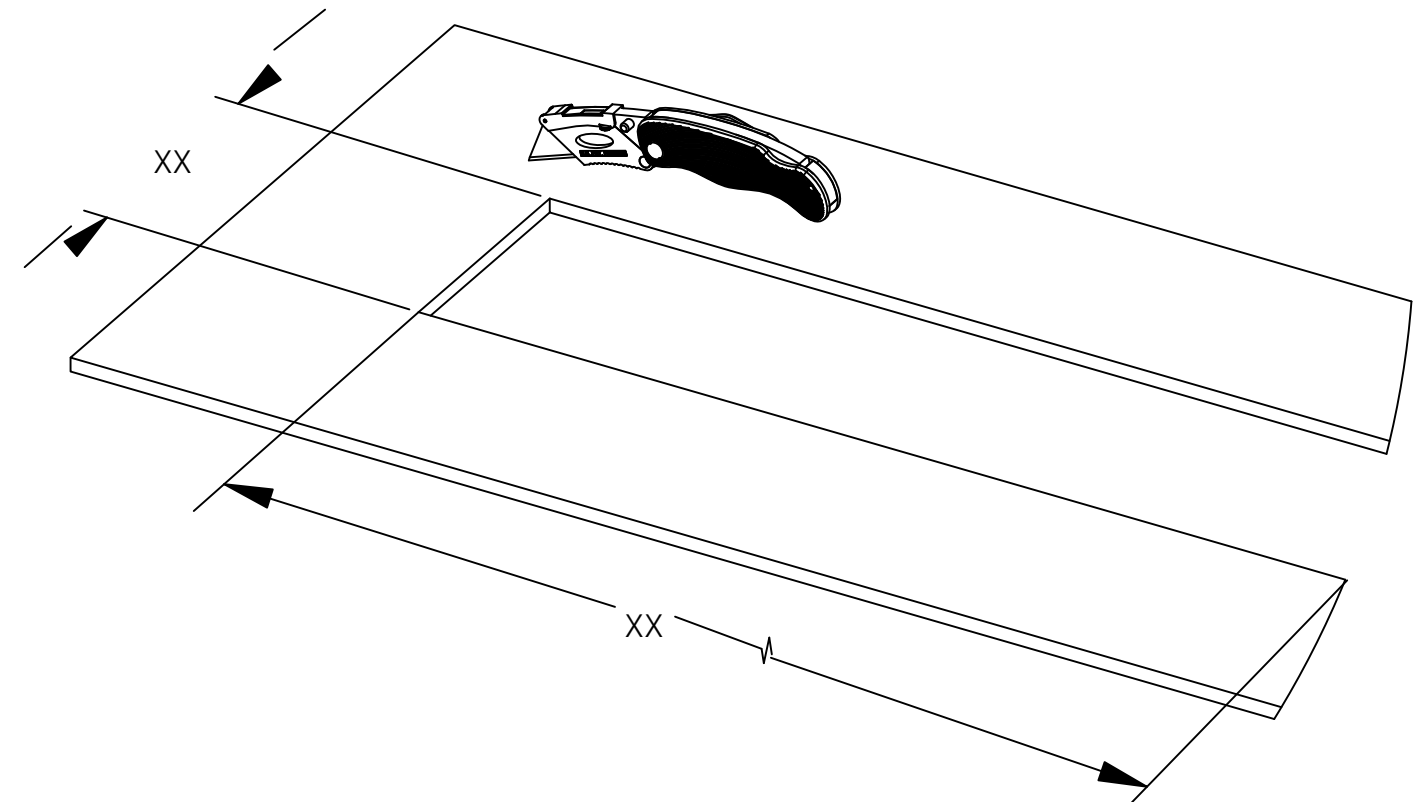
### A. Transfer Measurements



Note: 4FT fixture shown, fixture length may vary.

- Note the length and width dimensions of the fixture before making cut outs in finishing surface.
- Transfer the dimensions to the finishing surface.

### B. Make Cut-Out



- Using a utility knife or similar, cut out an opening for the fixture in the finishing surface.
- **Note:** Keep the cut out size as small and tight to the fixture as possible.

### Items Used In This Step



Utility Knife

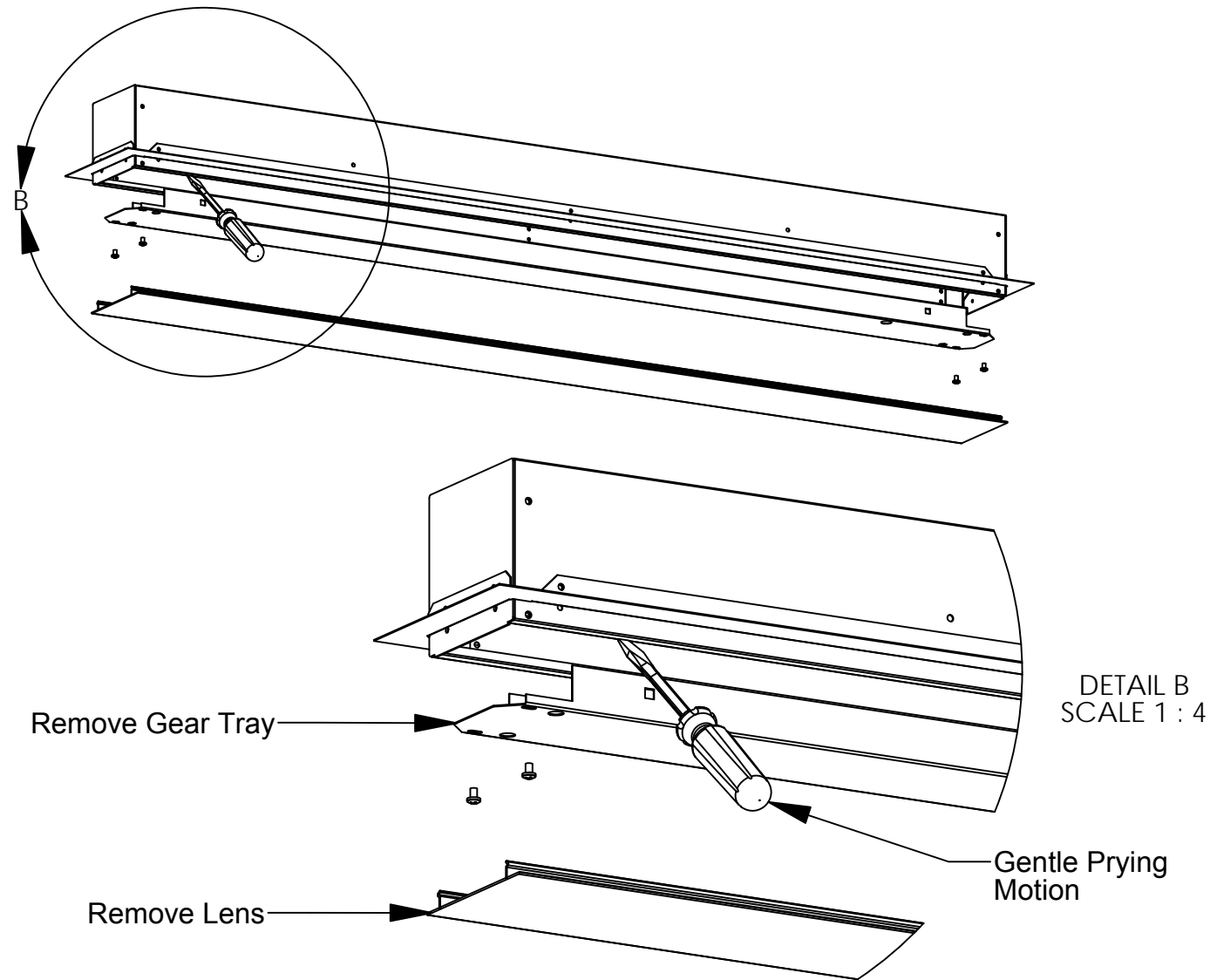
# L34RR-Recessed Installation Instructions

## Step 2 - Prepare The Fixture



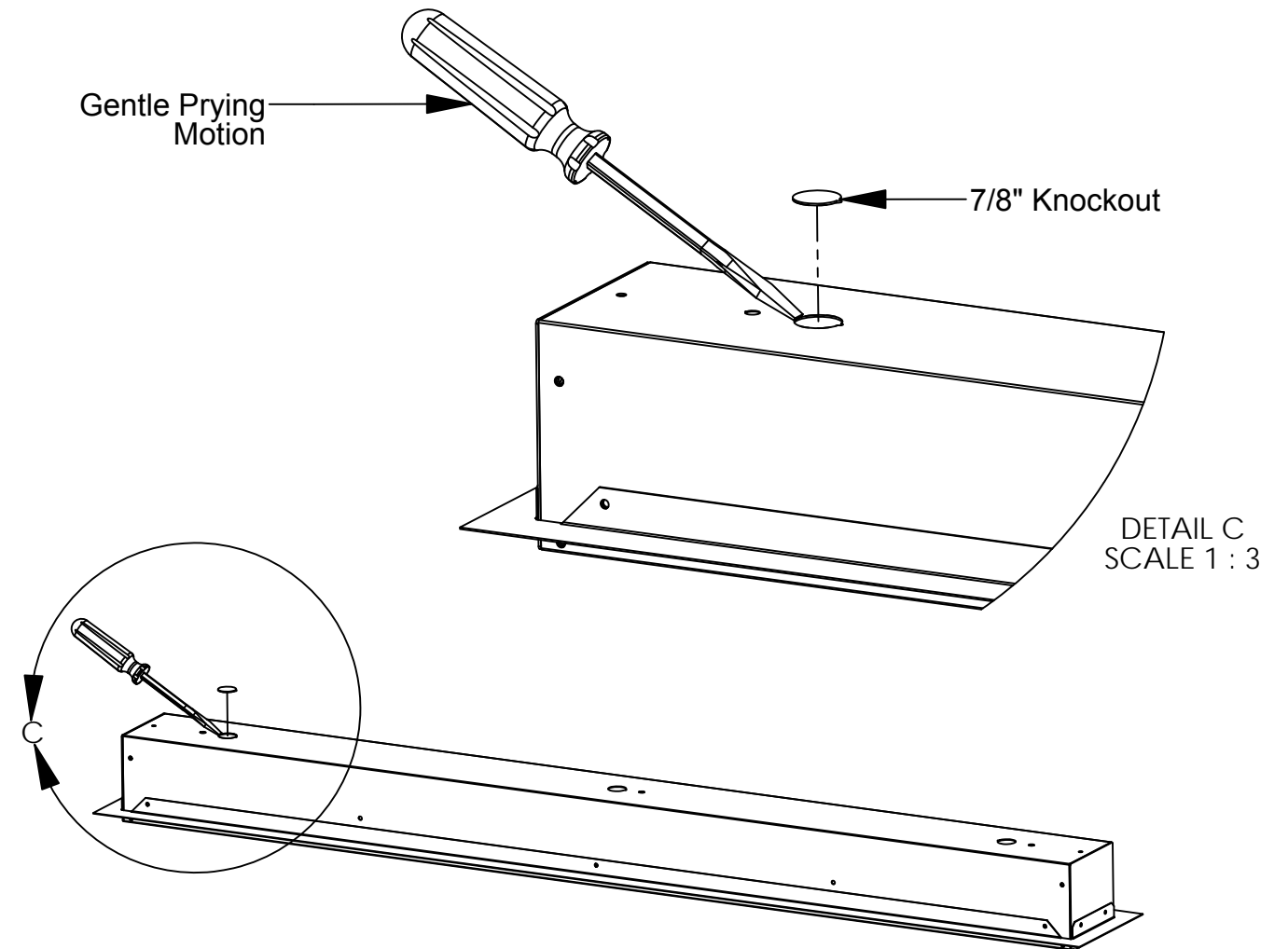
Texas Fluorescents Reinvented

### A. Open The Fixture



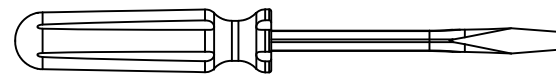
- Carefully insert a flat tip screwdriver, and use a gentle prying motion to remove lens.
- Remove the gear tray as shown. Set the lens and gear tray aside in a safe location.

### B. Remove 7/8" Knockout

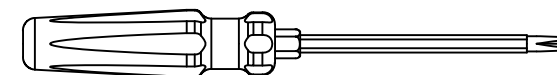


- Using a gentle prying motion, remove the 7/8" knock out from the desired location.

### Items Used In This Step



Flat Tip Screwdriver



Phillips Screwdriver

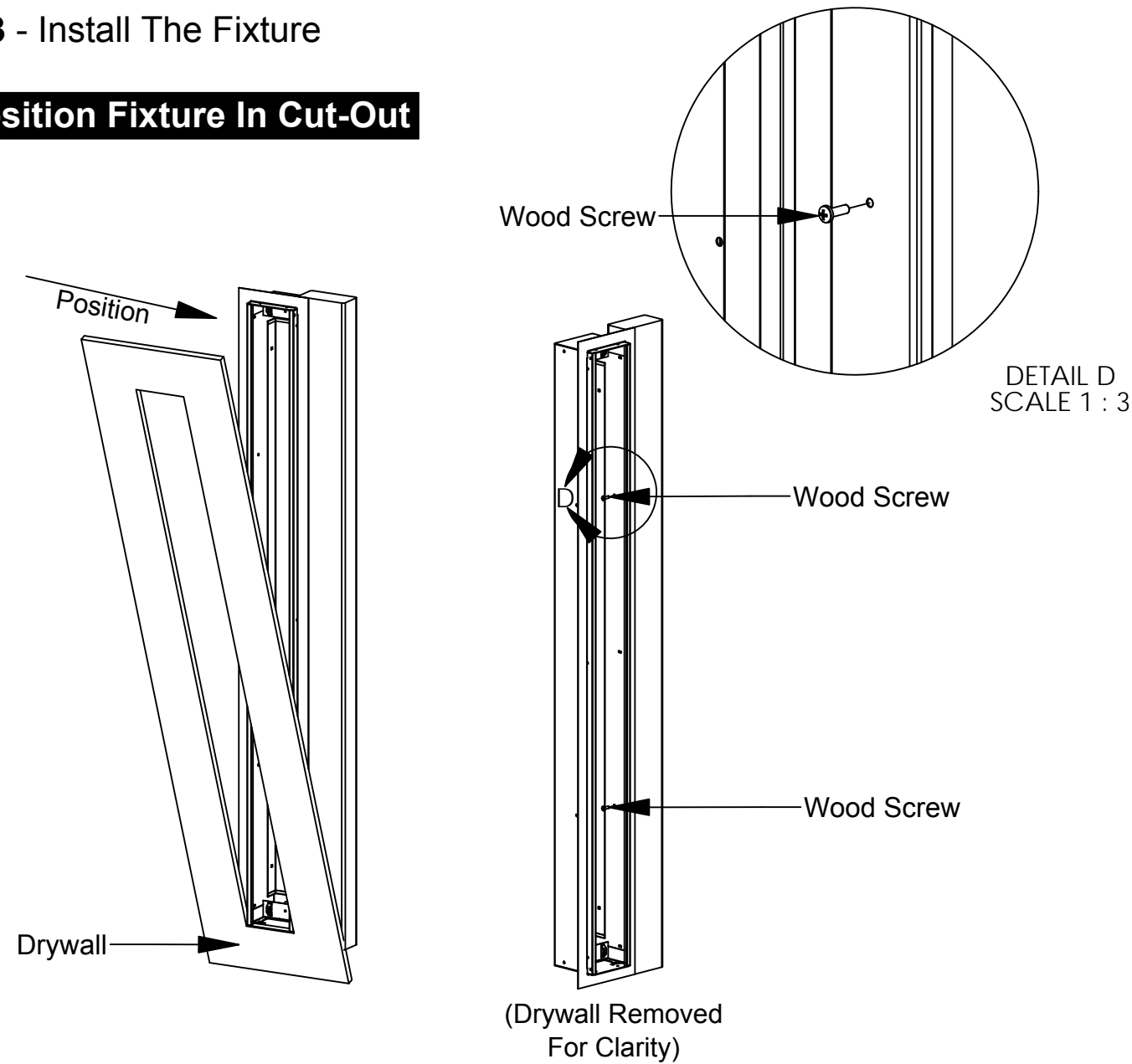
# L34RR-Recessed Installation Instructions

## Step 3 - Install The Fixture



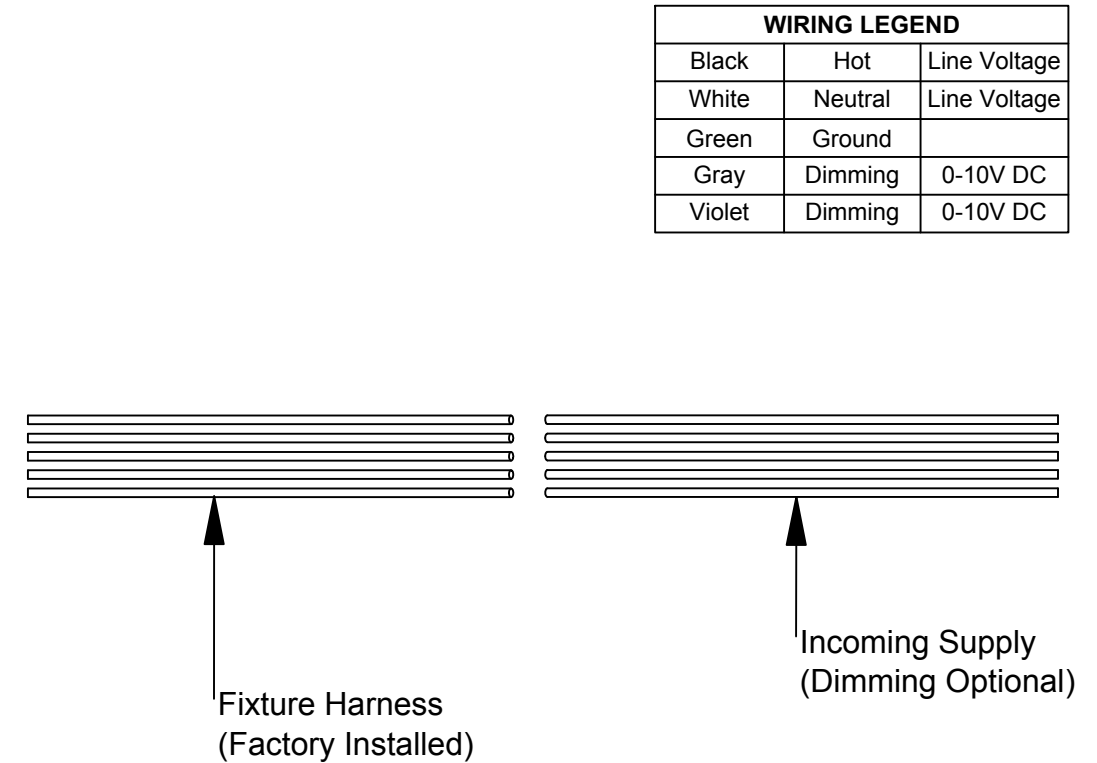
Texas Fluorescents Reinvented

### B. Position Fixture In Cut-Out



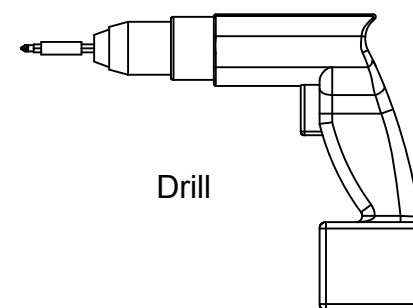
- Secure the fixture to an internal stud using wood screws (install studs to support fixture as needed).
- Install the drywall (or other finishing surface) as shown, with the fixture coming thru the cut out.
- Secure the drywall (or other finishing surface) to the studs as needed for proper support.
- **Optional:** The fixture can also be secured to the stud by installing screws thru the fixture's flange.

### B. Connect Power Cord



- Wire the fixture to the incoming supply. Refer to the wiring legend above as needed.
- **Note:** Use UL approved connectors only. Follow all local, state and national codes.

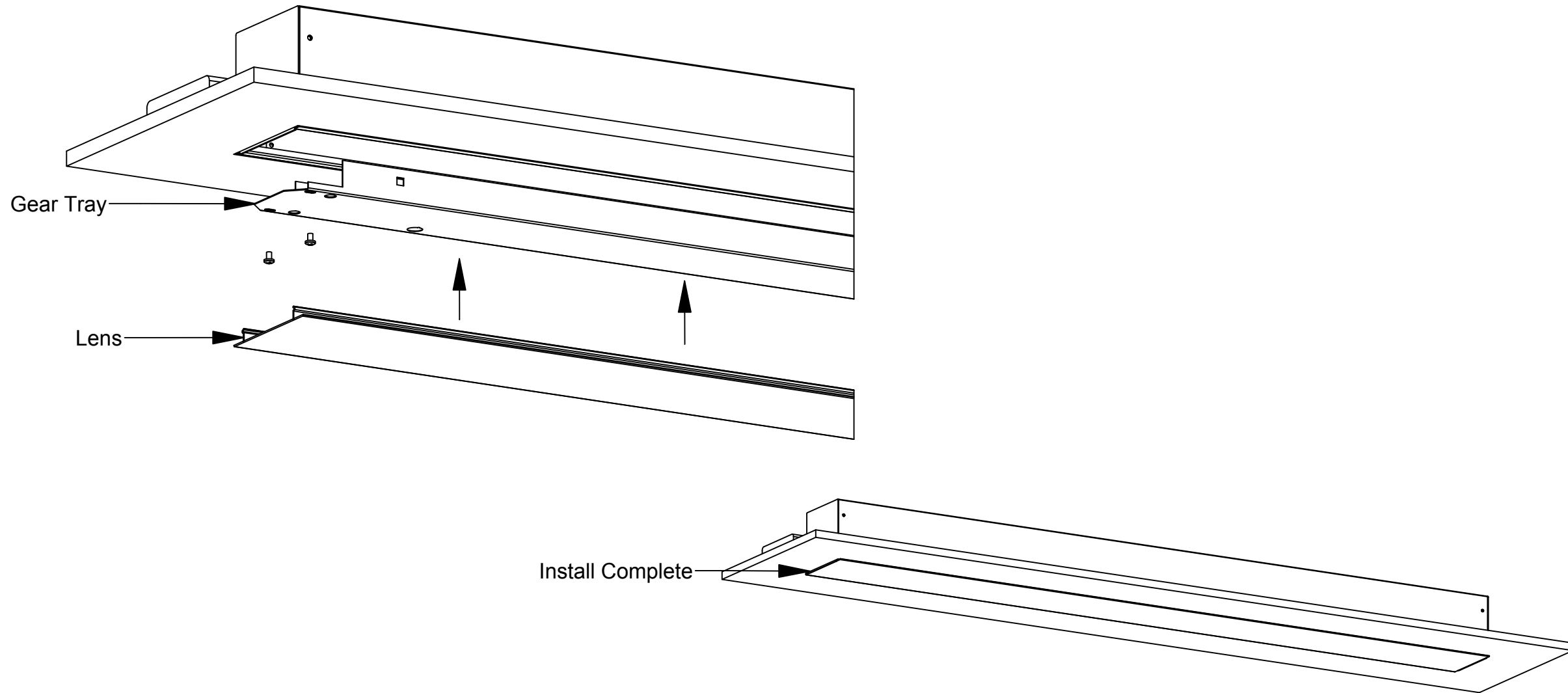
### Items Used In This Step



# L34RR-Recessed Installation Instructions

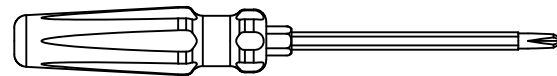
## Step 4 - Secure The Fixture

### A. Close The Fixture



- Install the gear tray back in to the fixture as shown above.
- Reinstall the lens by lining up with the fixture and gently press, causing the lens to snap in.
- Install is now complete.

### Items Used In This Step



Phillips Screwdriver