

SLP-Surface Installation Instructions

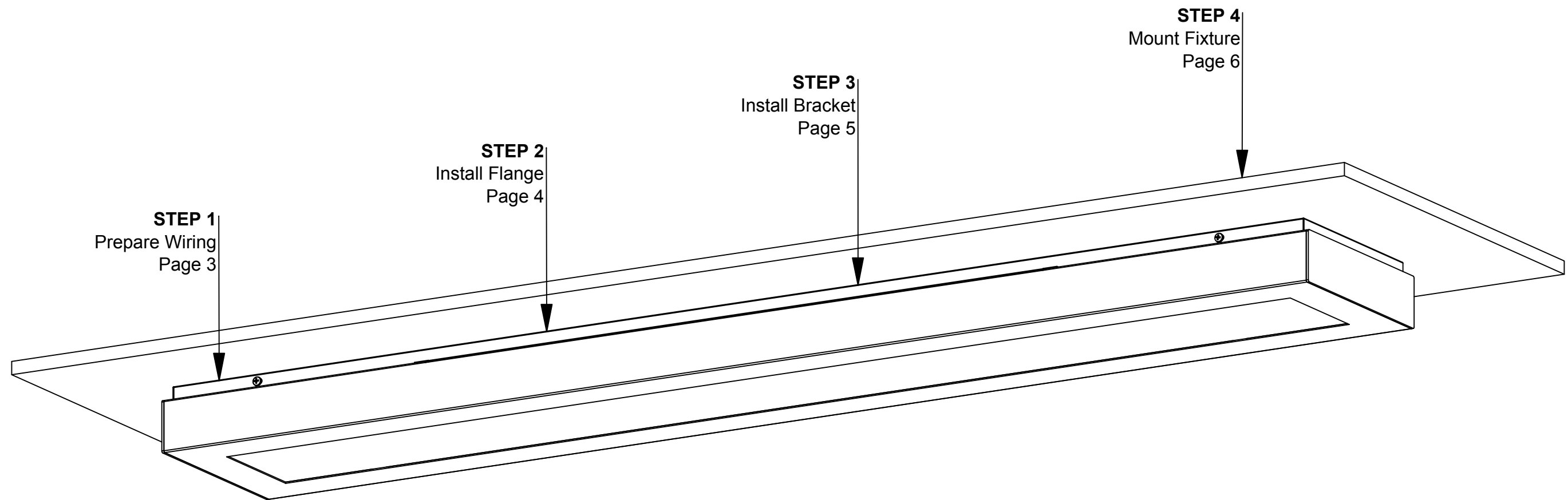
Overview

WARNINGS

- This product must be installed in accordance with all applicable codes by a person familiar with the product.
- Each fixture must be **properly supported** during install.
- **DO NOT** join fixtures on the floor prior to lifting, or damage will occur.
- **Before beginning installation**, review our complete list of warnings by visiting www.saylite.com/warnings.



Texas Fluorescents Reinvented



We believe
in the power
of light.



Your particular build may vary.

2018© Saylite | 2055 Luna Road, Suite 142 Carrollton, Texas 75006 | www.saylite.com

1 of 6

Form BWE - SLP / Surface, V0 10/18

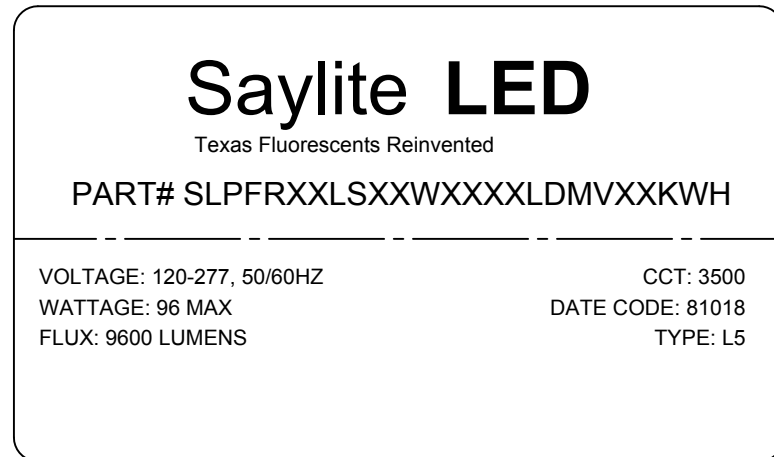
SLP-Surface Installation Instructions

Preparation - Tools/Parts Identification



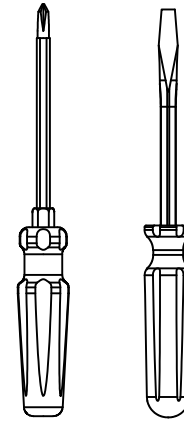
Texas Fluorescents Reinvented

A. Identify Fixtures

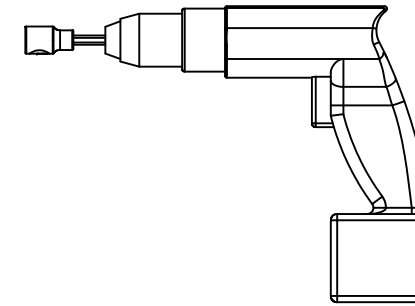


- Use labels found on the box and inside fixture bodies to identify bodies.
- **NOTE:** Locations of labels can vary.
- Remove all fixtures from their boxes.
- Organize fixtures based on their labels at the install location.

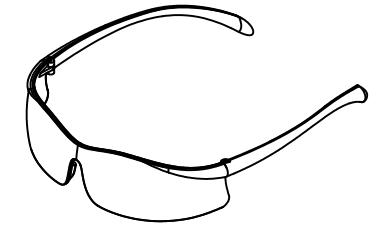
B. Tools Needed



Screwdrivers



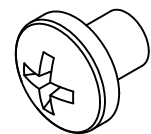
Drill



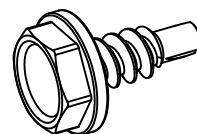
Safety Glasses

- Always use proper safety equipment when installing fixtures.
- Tools shown are recommended for standard install. Tools needed may vary based on actual install location conditions.

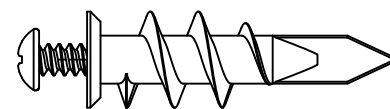
C. Identify Parts



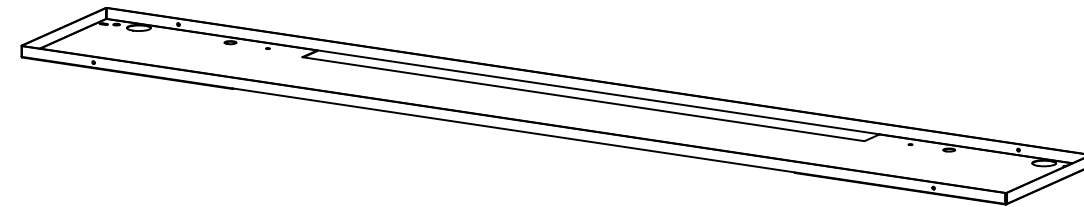
Machine Screw
(By Others)



TEK Screw
(By Others)



Mounting Screw
W/ Anchor
(By Others)



SLP Surface Mount Bracket
PN: SLPSMBRKT48IN
SLPSMBRKT96IN

- Read entire install instructions before beginning installation.
- Unpack all components and arrange in order of install steps.
- For help with installation, please contact us at www.saylite.com or call us at (972) 247-3171.

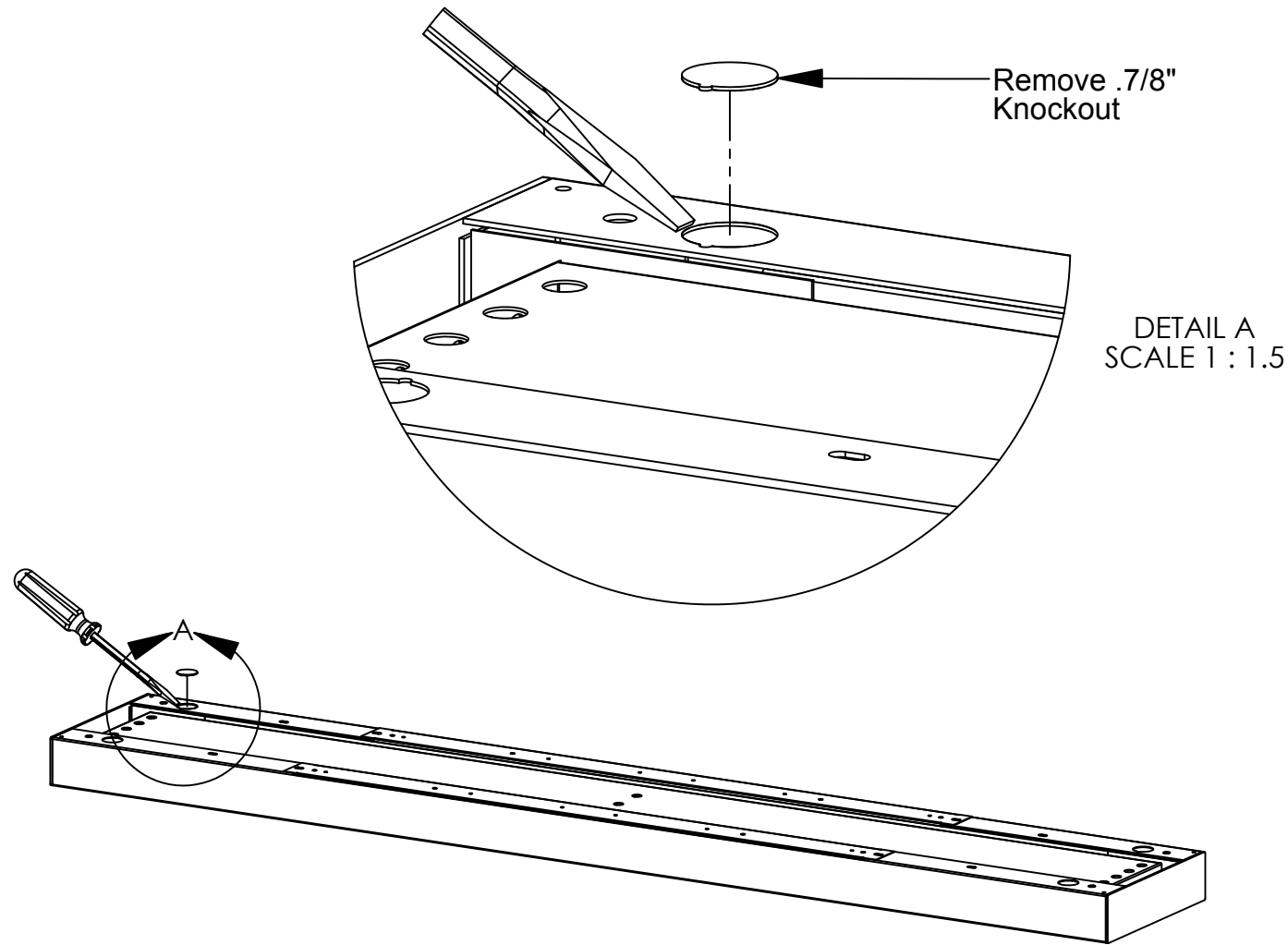
SLP-Surface Installation Instructions

Step 1 - Prepare Wiring



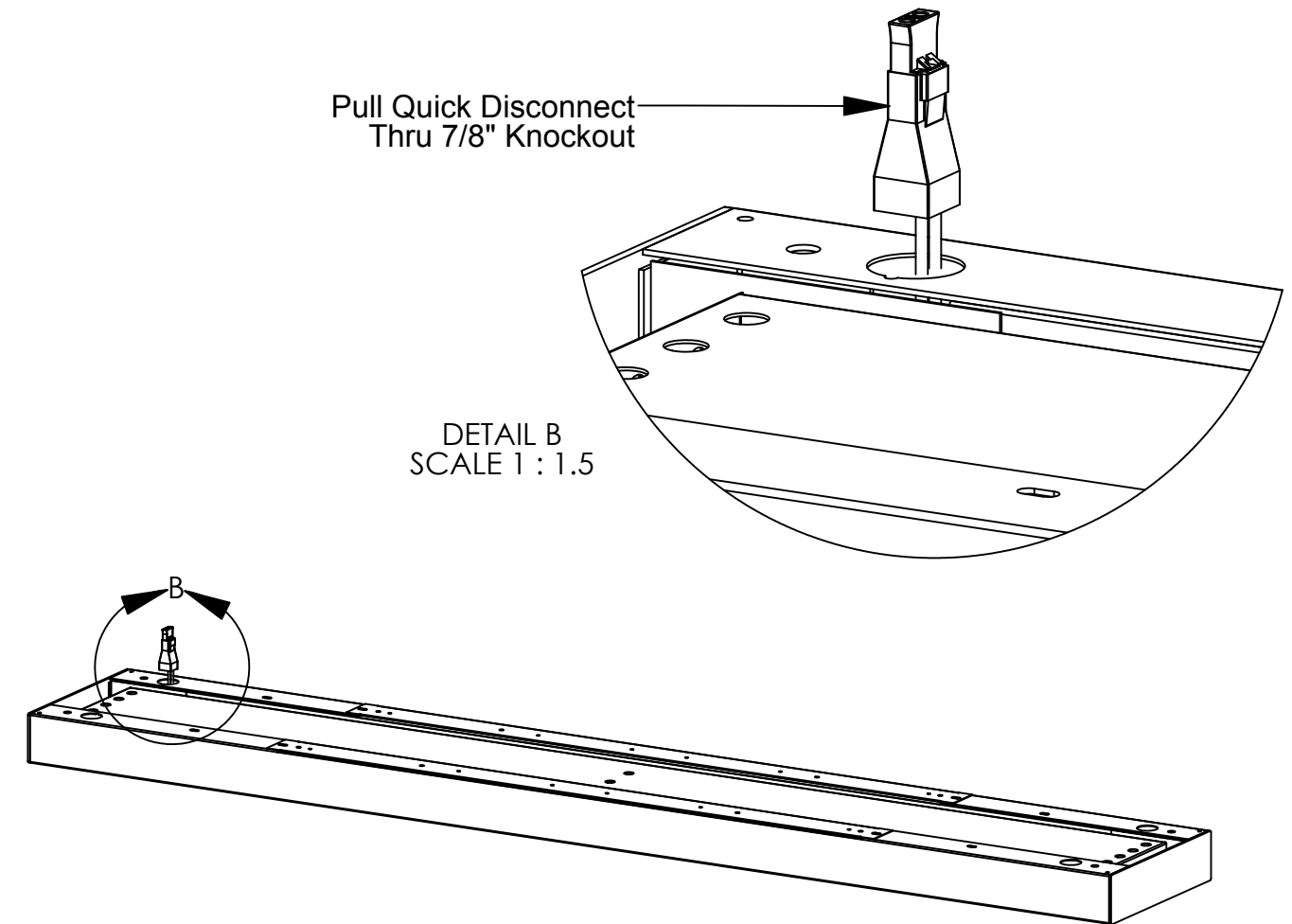
Texas Fluorescents Reinvented

A. Remove Knockout



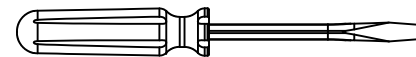
- Using a flat tip screwdriver, pry the knockout from the fixture.

B. Pull Wiring



- Locate the wiring quick disconnect inside the wiring channel.
- Pull the wiring thru the knockout, and leave exposed.

Items Used In This Step



Flat Tip Screwdriver

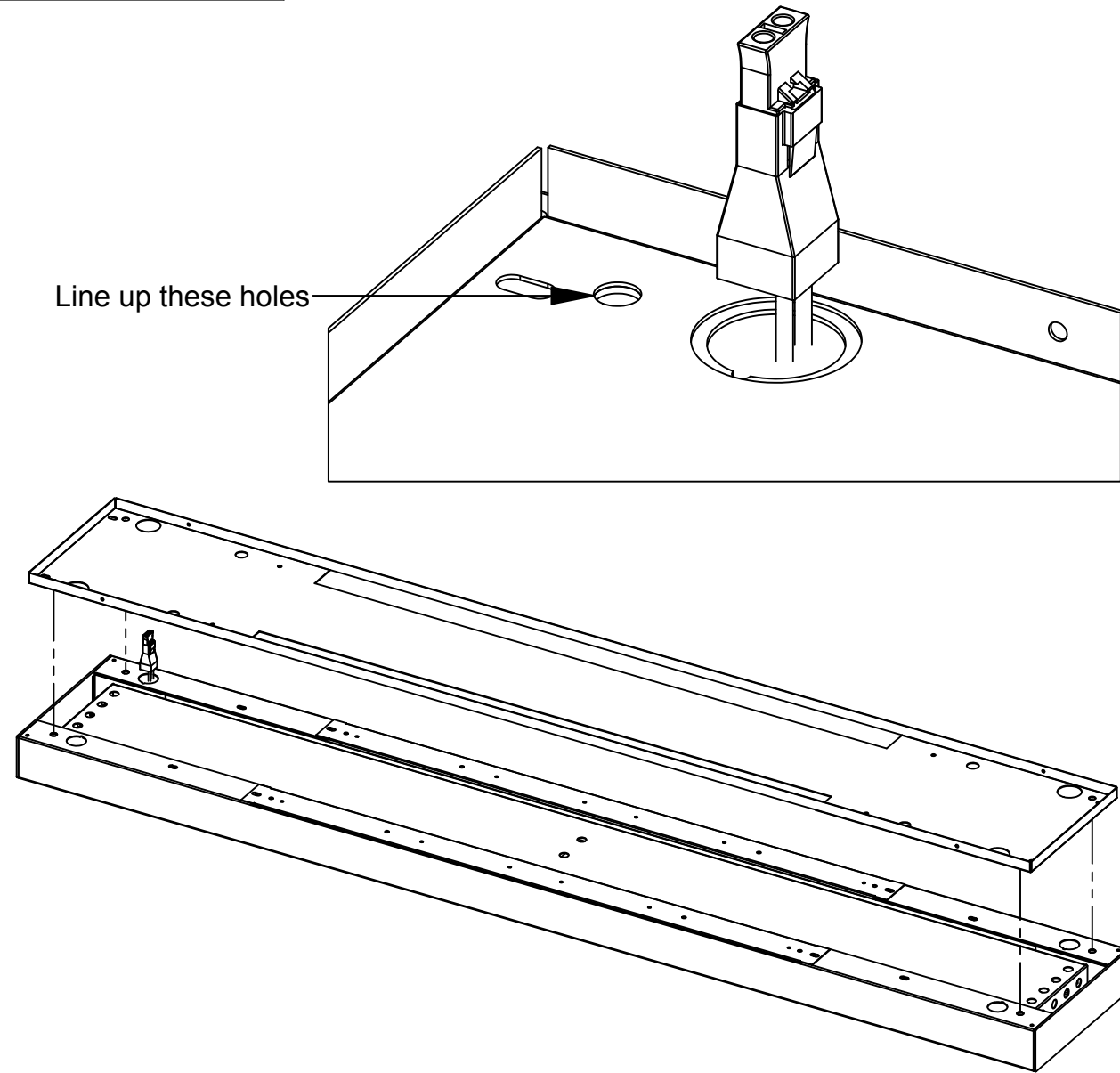
SLP-Surface Installation Instructions

Step 2 - Install Flange



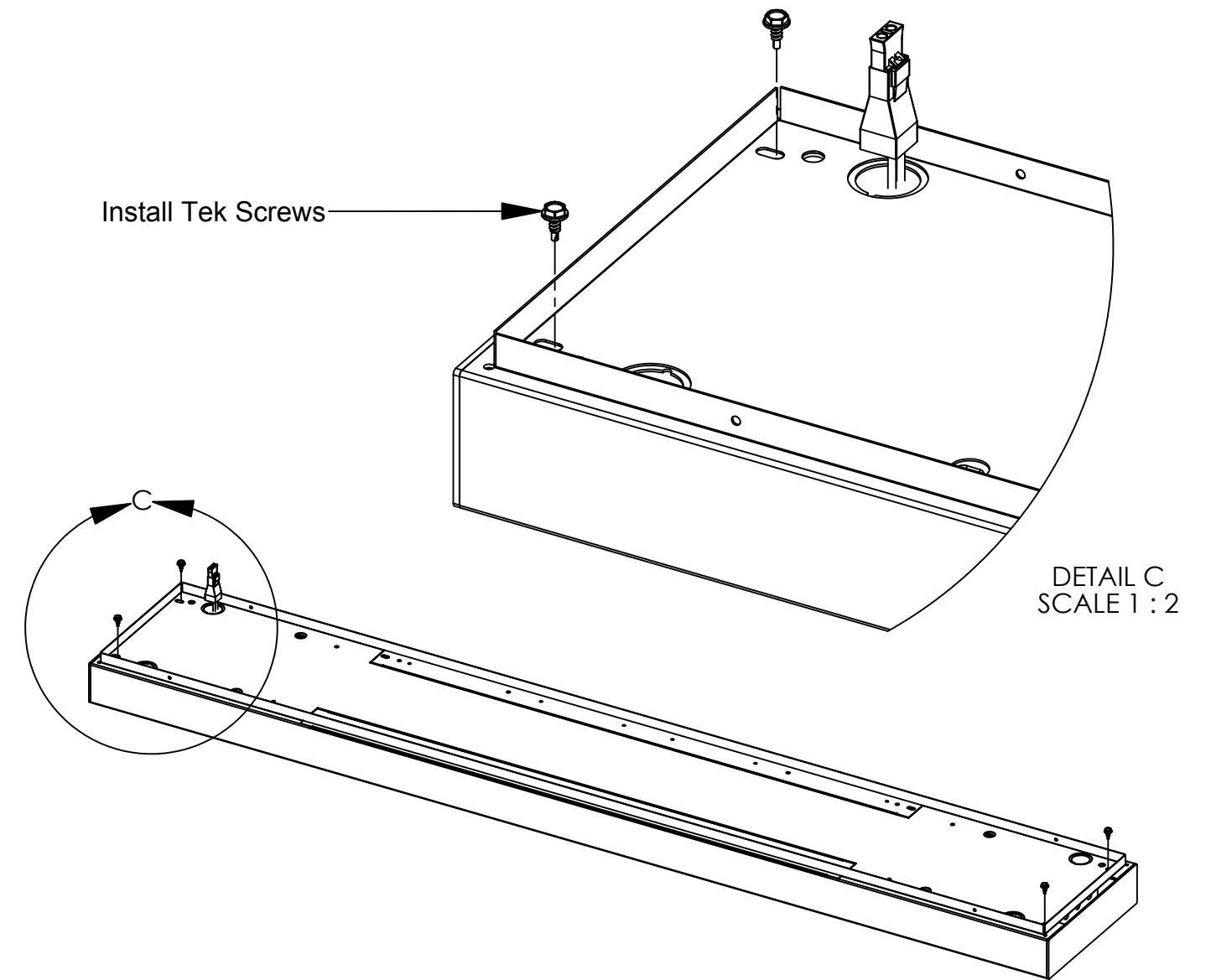
Texas Fluorescents Reinvented

A. Line Up Flange



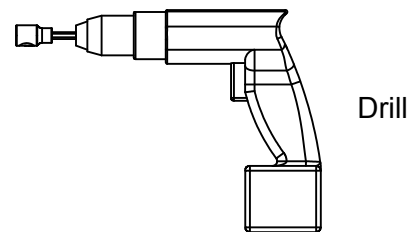
- Line up the mounting flange to the back of the fixture.
- Pull the wiring through the hole in the mounting flange as shown.
- Use the guide holes shown to ensure proper alignment of the flange. The holes should match up.

B. Secure Flange

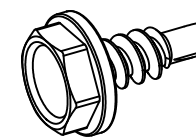


- Secure the mounting flange to the fixture by installing (4) TEK screws to the oblongs shown above.

Items Used In This Step



Drill



TEK Screw
(by others)

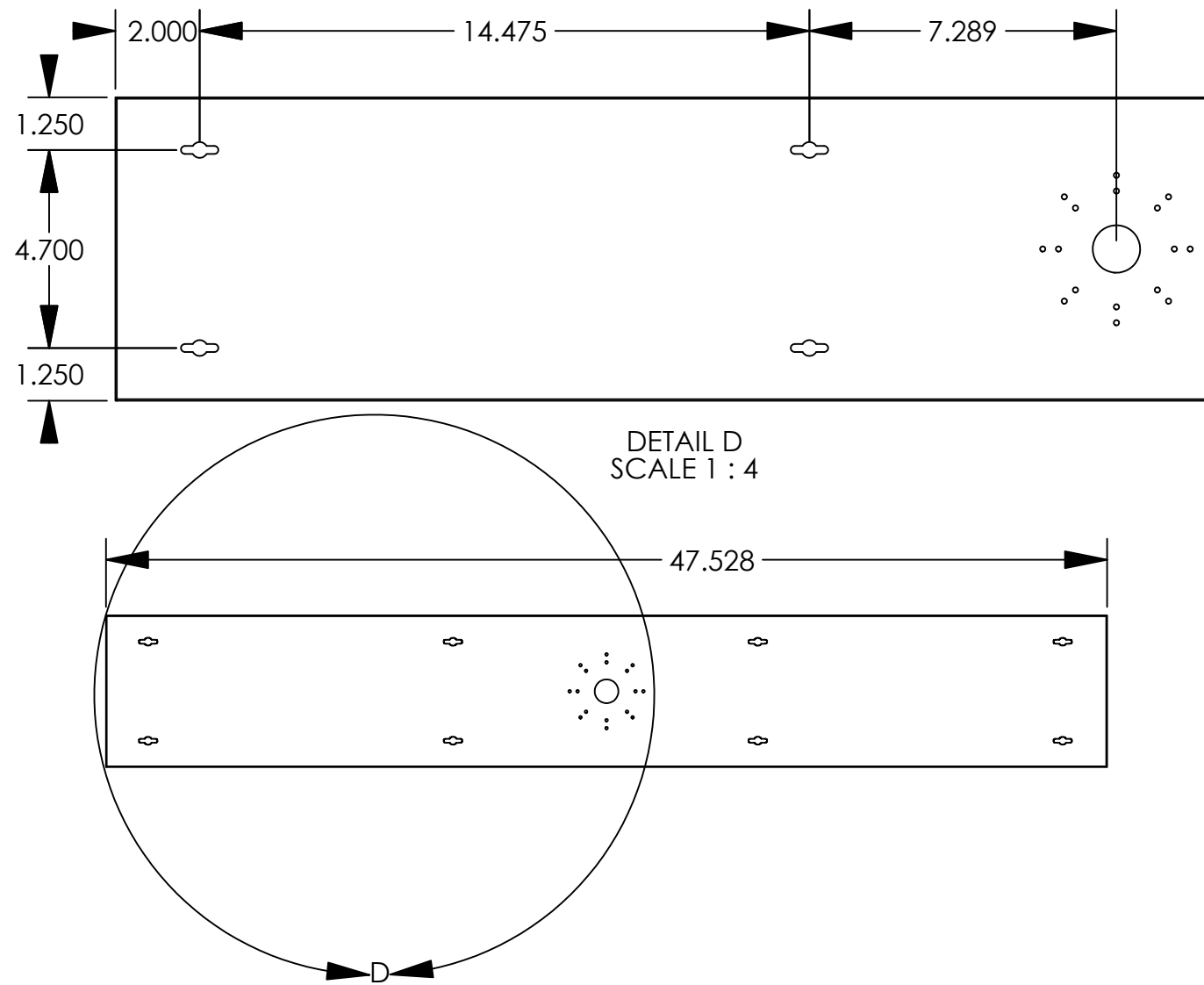
SLP-Surface Installation Instructions

Step 3 - Install Bracket



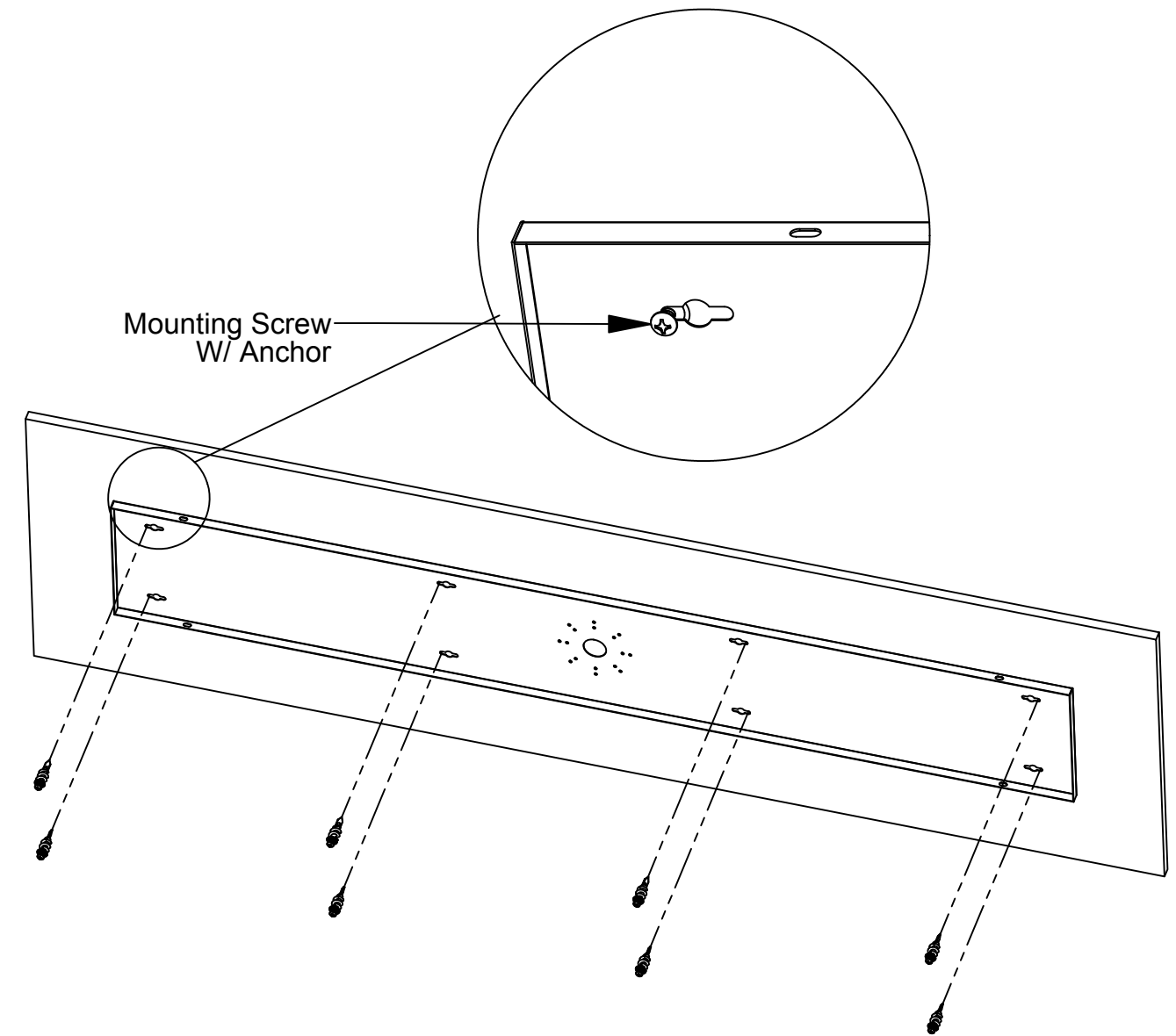
Texas Fluorescents Reinvented

A. Transfer Dimensions



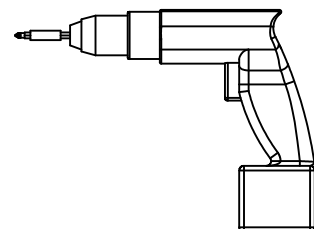
- Transfer the dimensions of the mounting keyways above to the mounting surface.
- **Note:** The dimensions are mirrored on both sides of the mounting bracket.

B. Secure Bracket

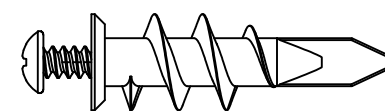


- **Note:** The mounting bracket must be installed to a structurally secure surface.
- **Note:** Additional bracing may be needed before mounting bracket.
- Secure the mounting bracket to the mounting surface as shown.

Items Used In This Step



Drill



Mounting Screw
W/ Anchor
(by others)

SLP-Surface Installation Instructions

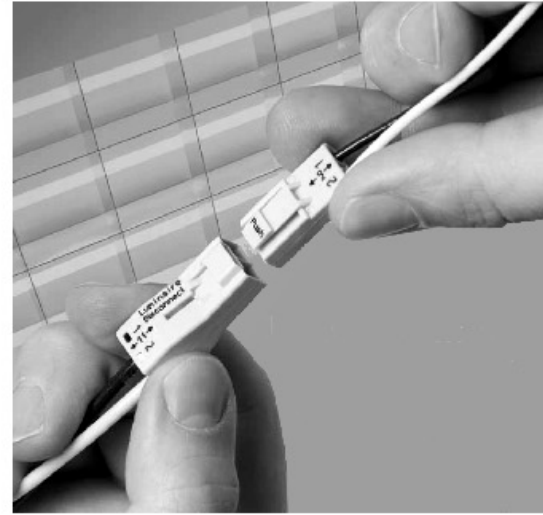
Step 4 - Mount Fixture



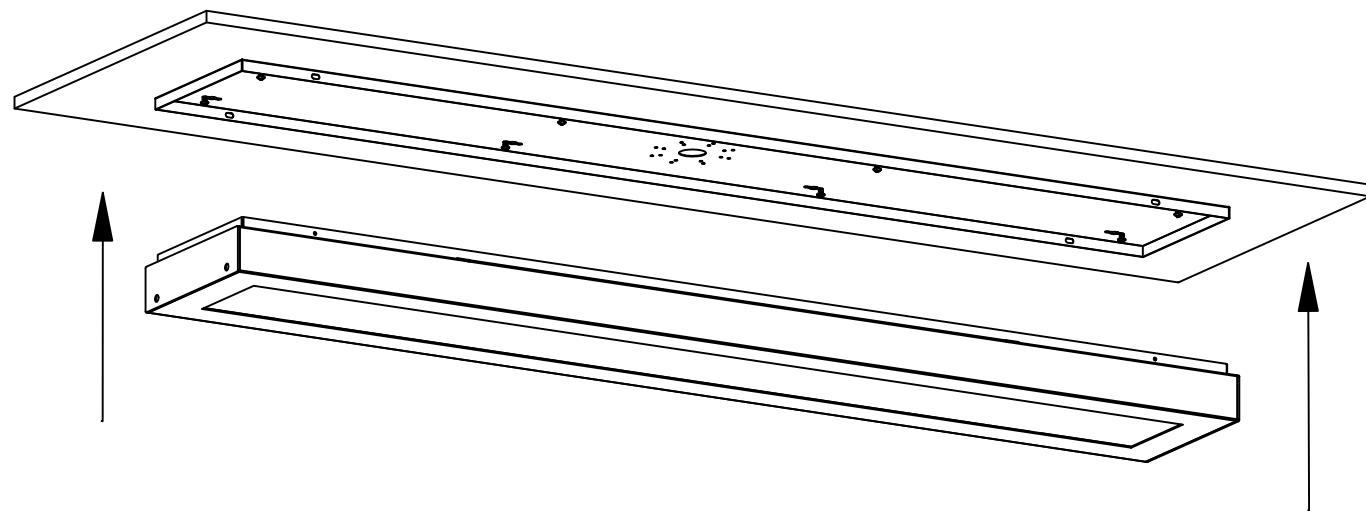
Texas Fluorescents Reinvented

A. Line Up With Bracket

WIRING LEGEND		
Black	Hot	Line Voltage
White	Neutral	Line Voltage
Green	Ground	
Gray	Dimming	0-10V DC
Violet	Dimming	0-10V DC

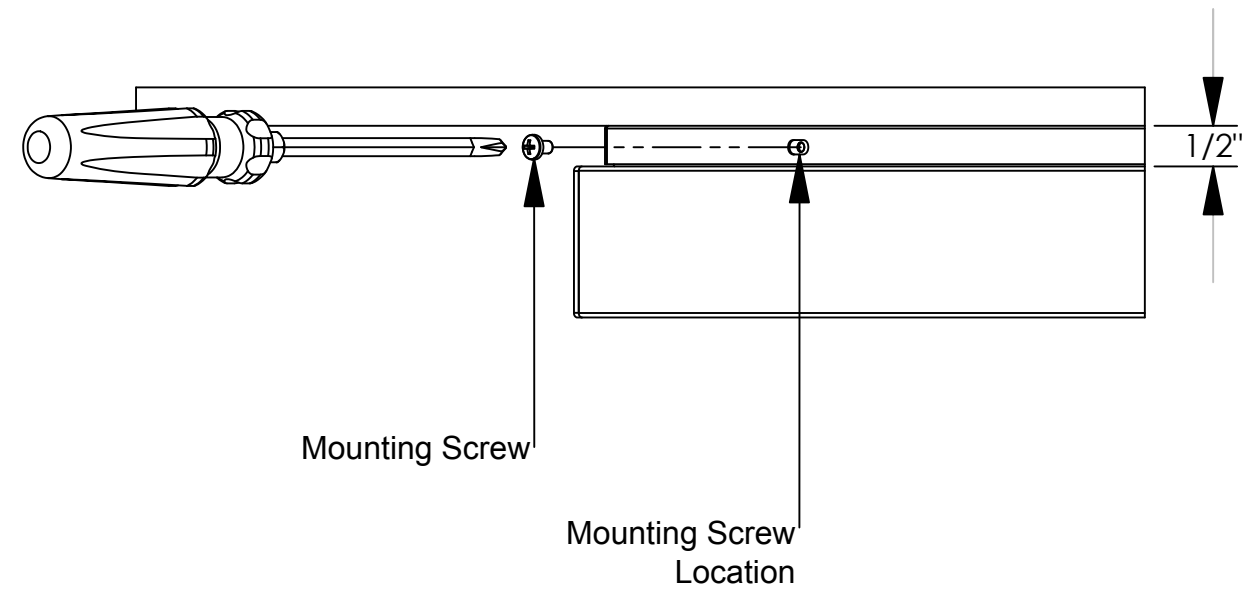


Make Secure Connection



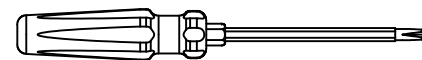
- Using the quick clip, wire fixture to the incoming supply following all local, state and national codes.
- Line the fixture up with the installed mounting bracket as shown.

B. Secure Fixture

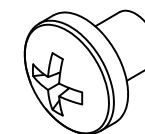


- Using a long screwdriver, install (4) mounting screws around the perimeter of the fixture.
- Test that the fixture is mounted securely.
- Install is now complete.

Items Used In This Step



Phillips Screwdriver



Mounting Screw
(by others)