

SLP-Pendant Cont. Run Bracket Installation Instructions

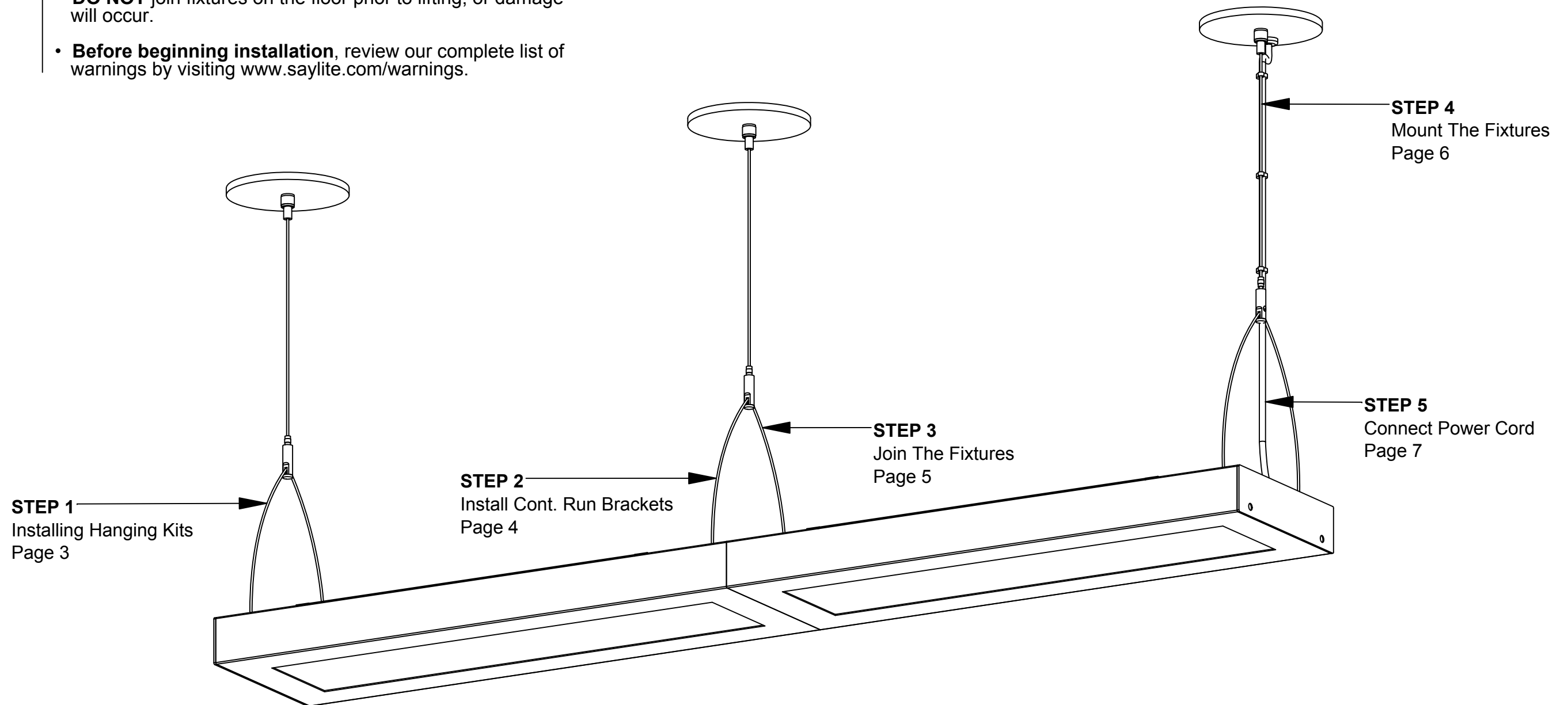
Overview

WARNINGS

- This product must be installed in accordance with all applicable codes by a person familiar with the product.
- Each luminaire must be **properly supported** during install.
- **DO NOT** join fixtures on the floor prior to lifting, or damage will occur.
- **Before beginning installation**, review our complete list of warnings by visiting www.saylite.com/warnings.



Texas Fluorescents Reinvented



We believe
in the power
of light.



Your particular build may vary.

2019© Saylite | 2055 Luna Road, Suite 142 Carrollton, Texas 75006 | www.saylite.com

1 of 7

Form BWE - SLP-Pendant Cont Run Bracket, V2 05/19

SLP-Pendant Cont. Run Bracket Installation Instructions

Preparation - Tools/Parts Identification



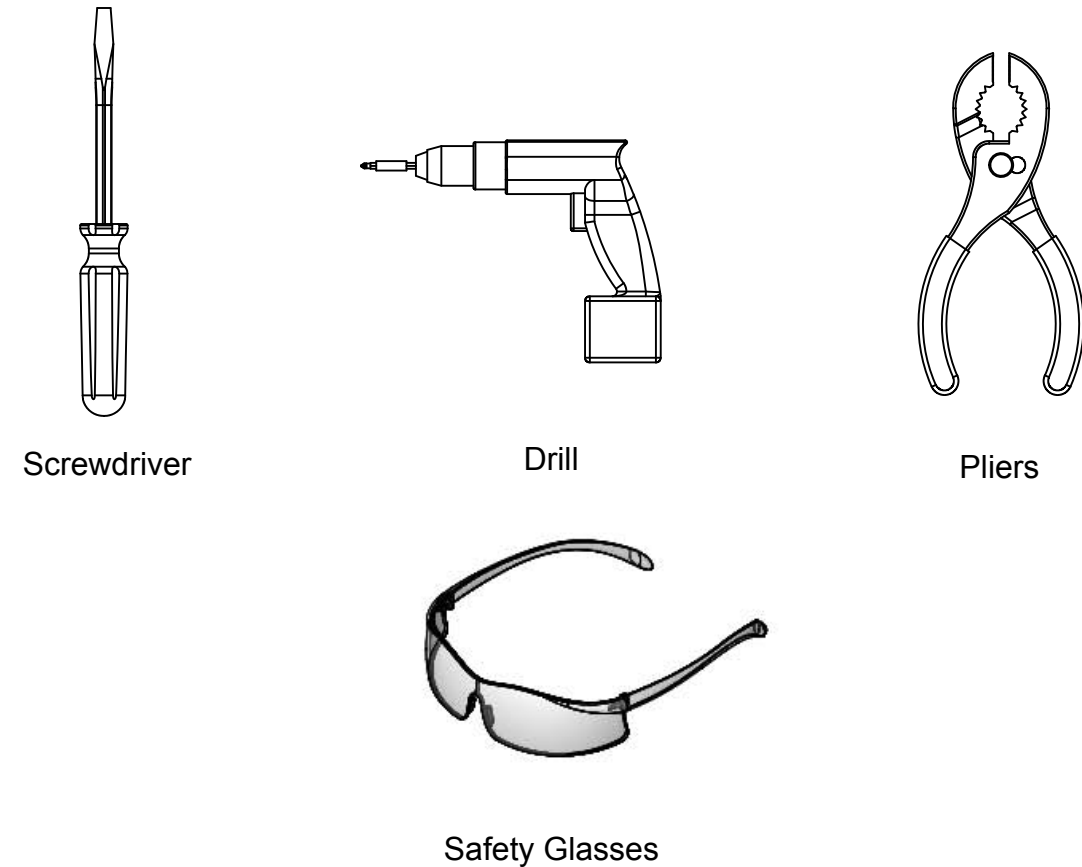
Texas Fluorescents Reinvented

A. Identify Fixtures



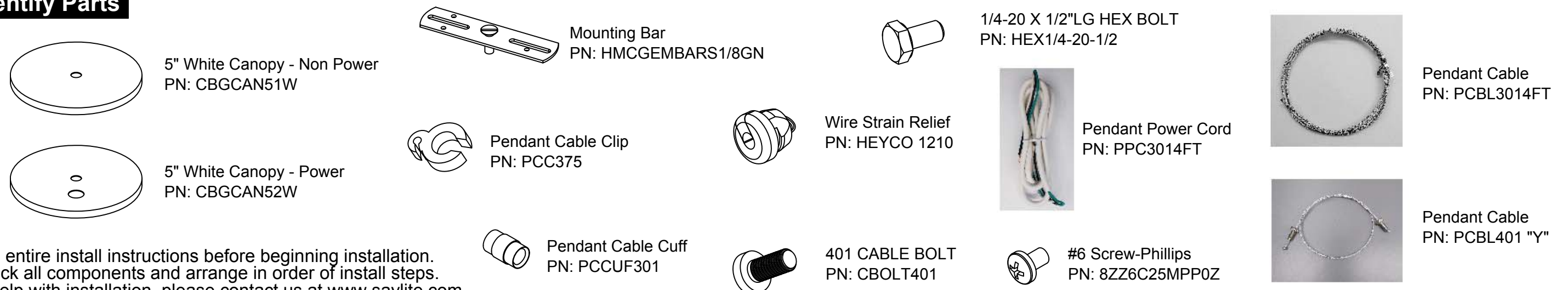
- Use labels found on the box and inside fixture bodies to identify bodies.
- **NOTE:** Locations of labels can vary.
- Remove all fixtures from their boxes.
- Organize fixtures based on their labels at the install location.

B. Tools Needed



- Always use proper safety equipment when installing fixtures.
- Tools shown are recommended for standard install. Tools needed may vary based on actual install location conditions.

C. Identify Parts



- Read entire install instructions before beginning installation.
- Unpack all components and arrange in order of install steps.
- For help with installation, please contact us at www.saylite.com or call us at (972) 247-3171.

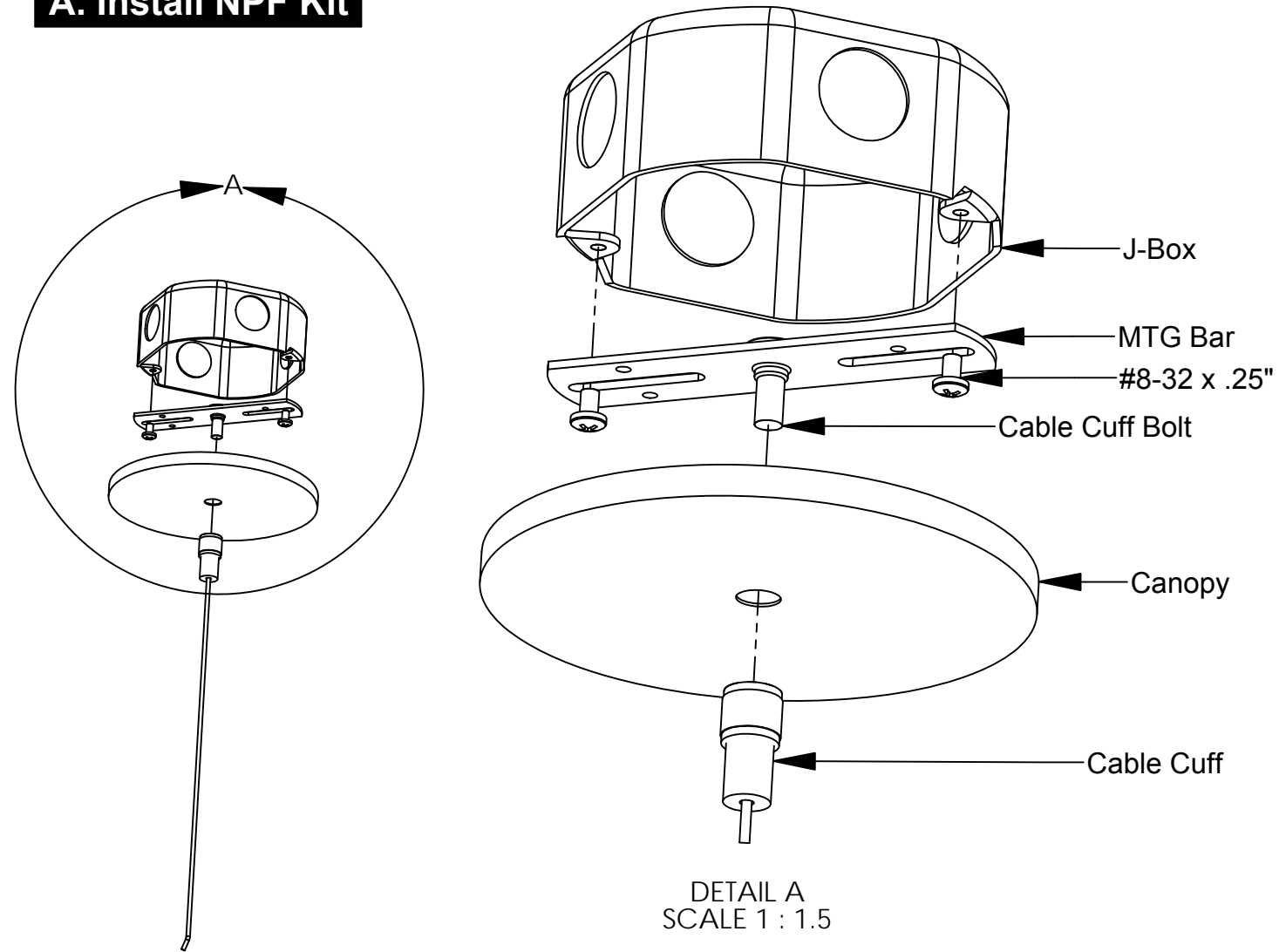
SLP-Pendant Cont. Run Bracket Installation Instructions

Step 1 - Installing Hanging Kits



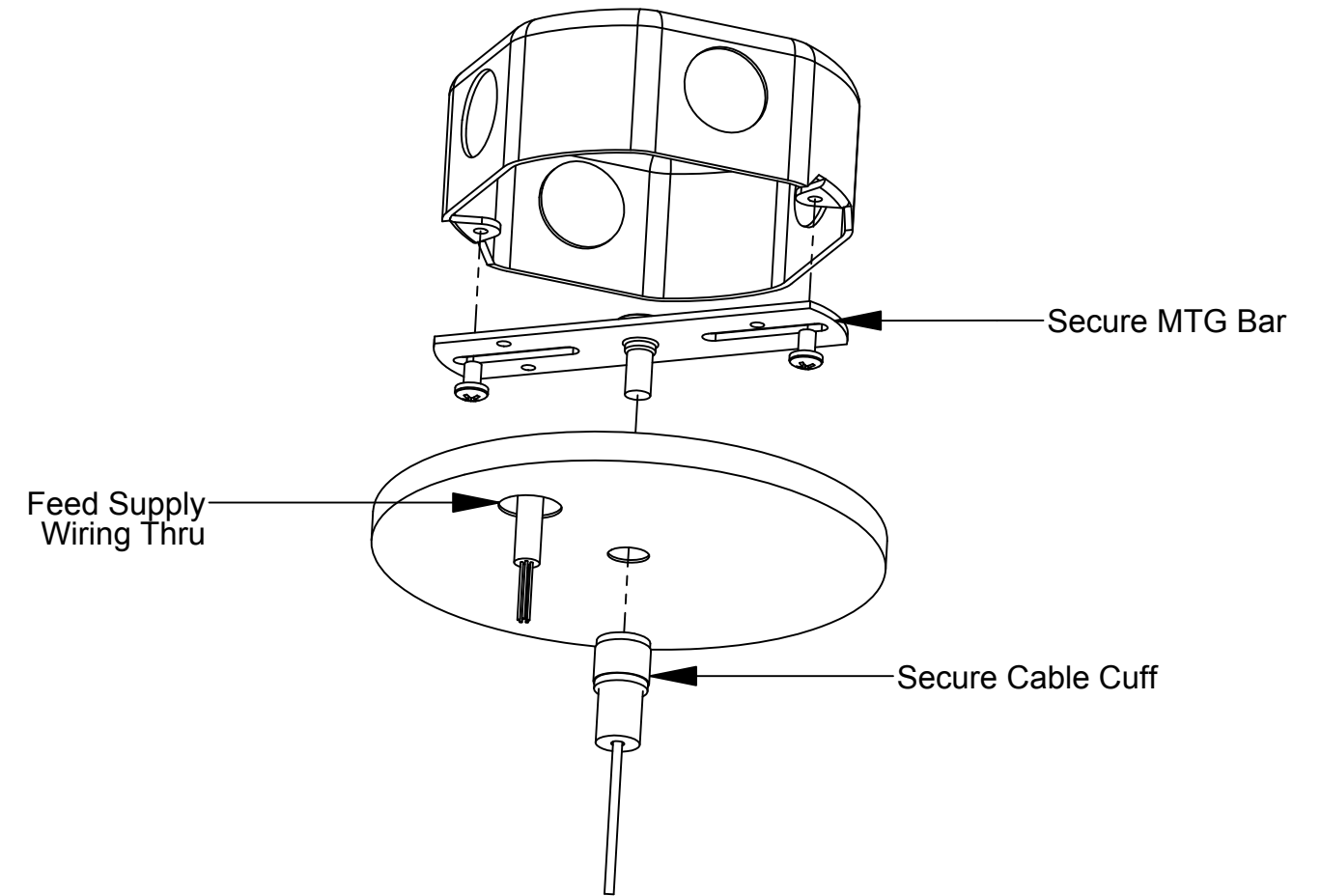
Texas Fluorescents Reinvented

A. Install NPF Kit

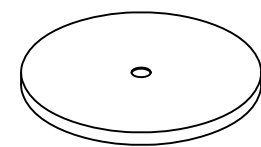


- Secure the mounting bar to the existing J-Box using the (2) #8-32 x .25" machine screws provided.
- Install the canopy over the cable cuff bolt with the outside edge facing upwards.
- Secure the cable cuff to the bolt, and tighten 1/4 turn with pliers.

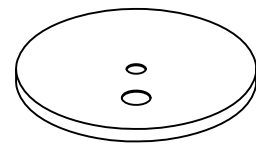
B. Install PF Kit



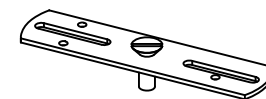
- Repeat the previous steps to install the mounting bar to the J-Box.
- Feed the supply wiring thru the canopy prior to install.
- Repeat the previous steps to install the cable cuff to the bolt.



5" White Canopy - Non Power
(Provided)



5" White Canopy - Power
(Provided)



Mounting Bar
(Provided)



Pendant Cable
(Provided)

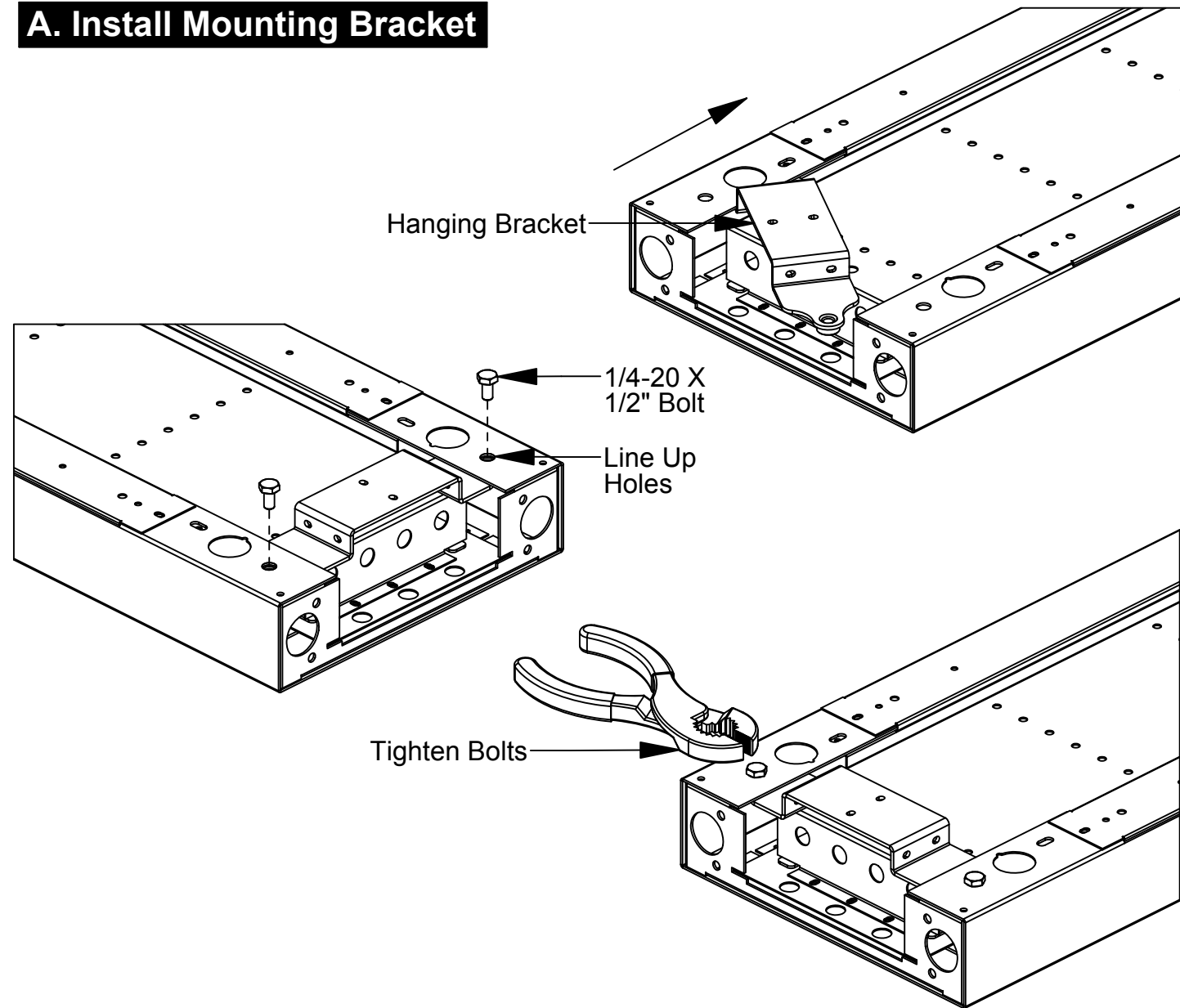
SLP-Pendant Cont. Run Bracket Installation Instructions

Step 2 - Install Cont. Run Brackets



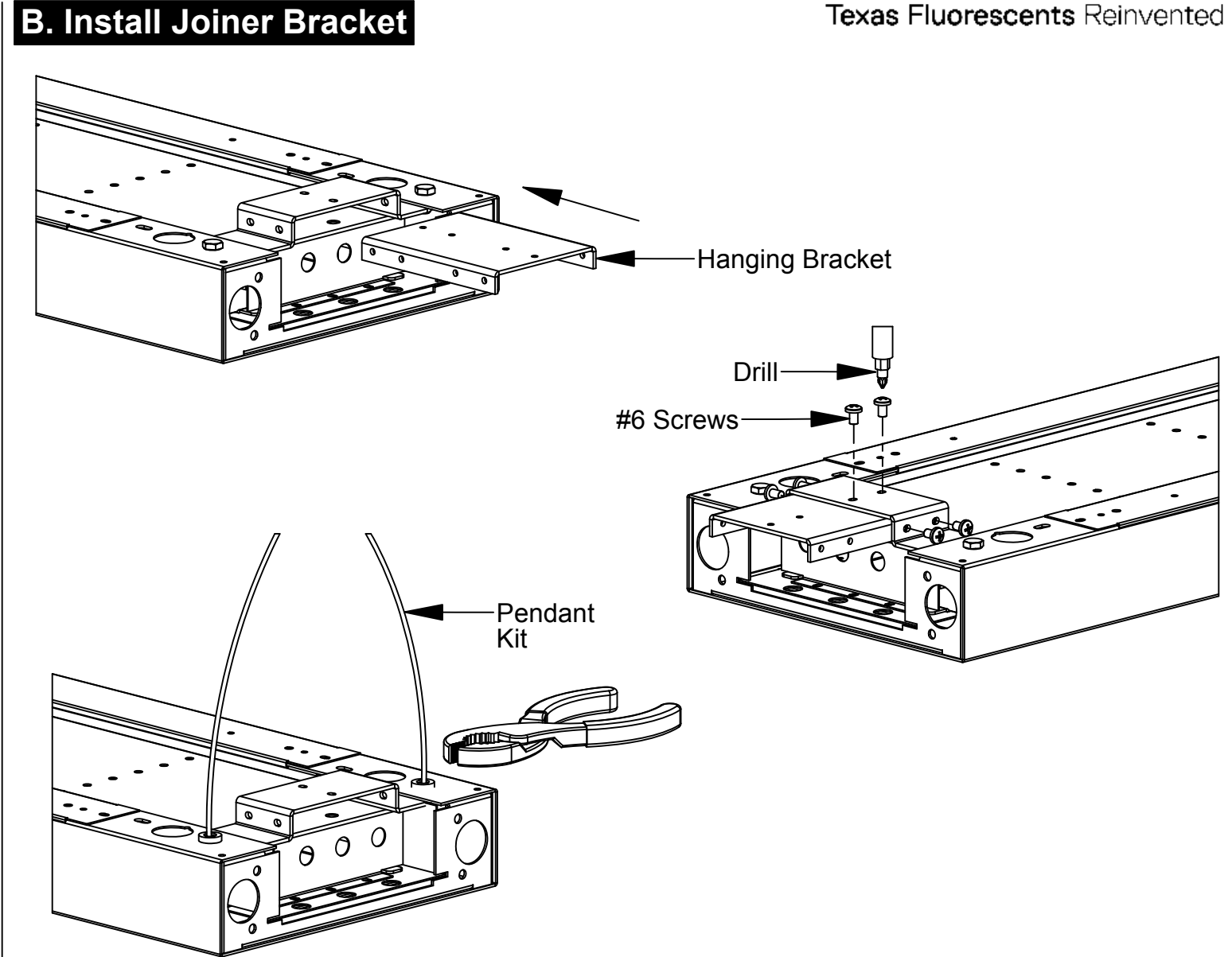
Texas Fluorescents Reinvented

A. Install Mounting Bracket

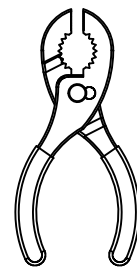


- Rotate the hanging bracket as shown and insert under edges of fixture Slight force may be needed.
- Line the hanging bracket up with the holes in the fixture, and install (2) 1/4-20 x 1/2" bolts as shown.
- Tighten the bolts as shown above.

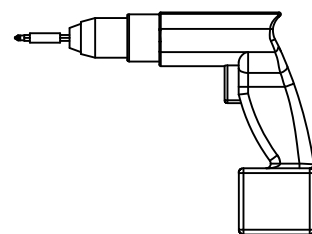
B. Install Joiner Bracket



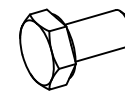
- Slide the joining bracket under the hanging bracket as shown above. Secure using (6) #6 screws.
- On the opposite fixture, repeat the previously performed steps to install the hanging bracket.
- Thread the bolts of the pendant kit in to the hanging bracket as shown. Tighten the bolts.



PLIERS



DRILL



1/4-20 X 1/2"LG HEX BOLT
(Provided)



#6 SCREW-PHILIPS
(Provided)

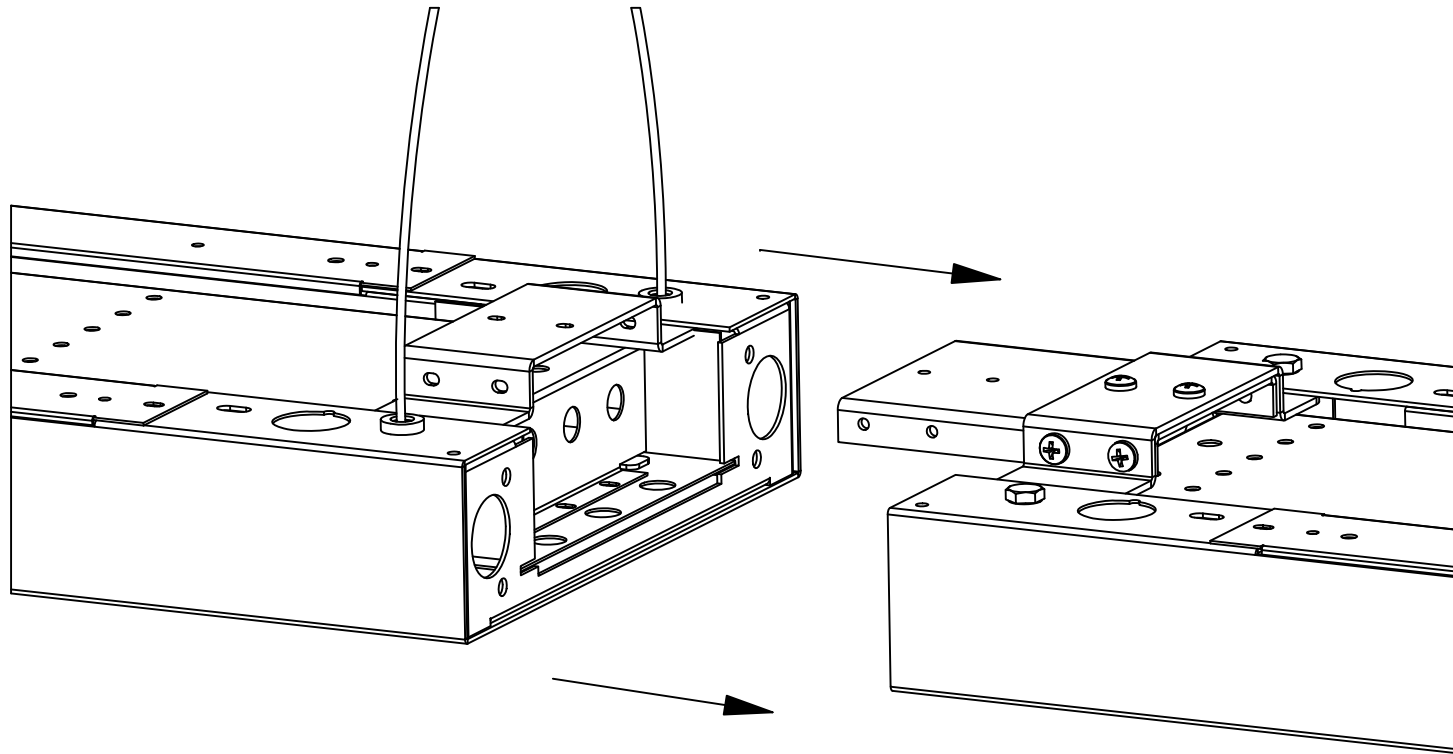
SLP-Pendant Cont. Run Bracket Installation Instructions

Step 3 - Join The Fixtures



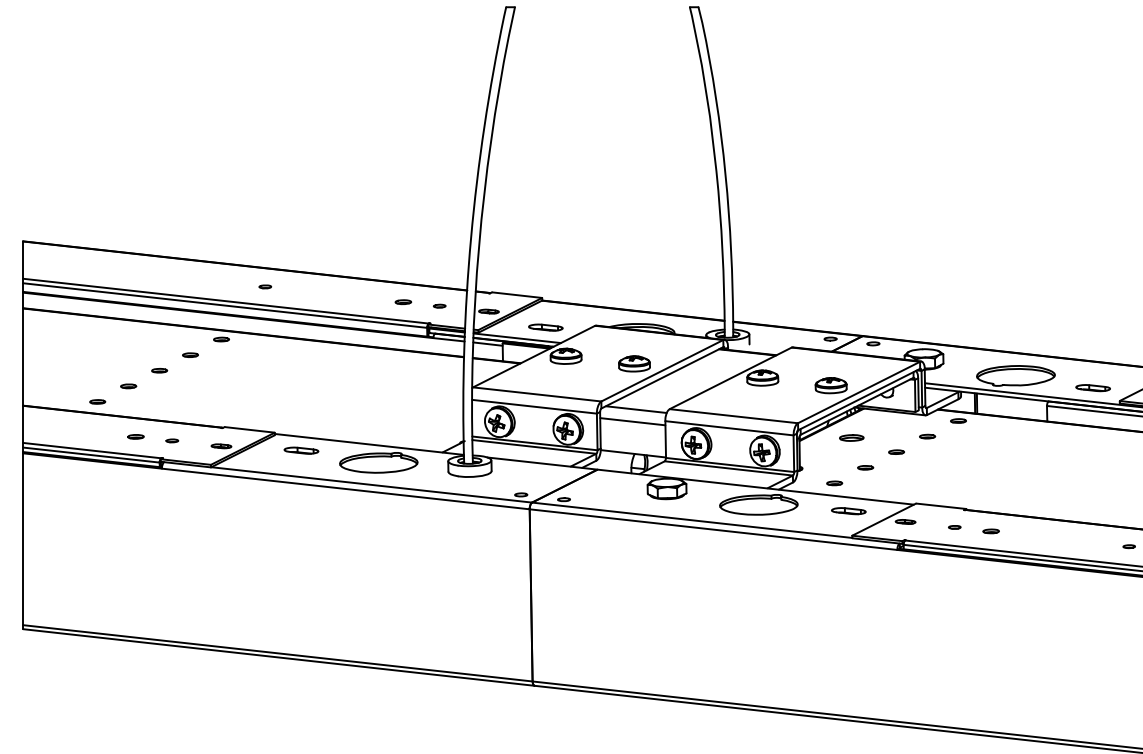
Texas Fluorescents Reinvented

A. Line Up Fixtures



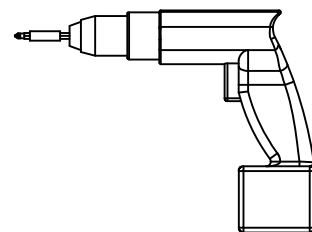
- Line the second fixture up and press the fixtures together until they are fully joined.
- The joining bracket will line up under the hanging brackets.

B. Secure The Brackets



FULLY JOINED

- Slide the joining bracket under the hanging bracket as shown above. Secure using (6) #6 screws.
- Install the remaining #6 screws as previously performed.
- The fixtures are now fully joined.



DRILL



#6 SCREW-PHILIPS
PN: 8ZZ6C25MPP0Z

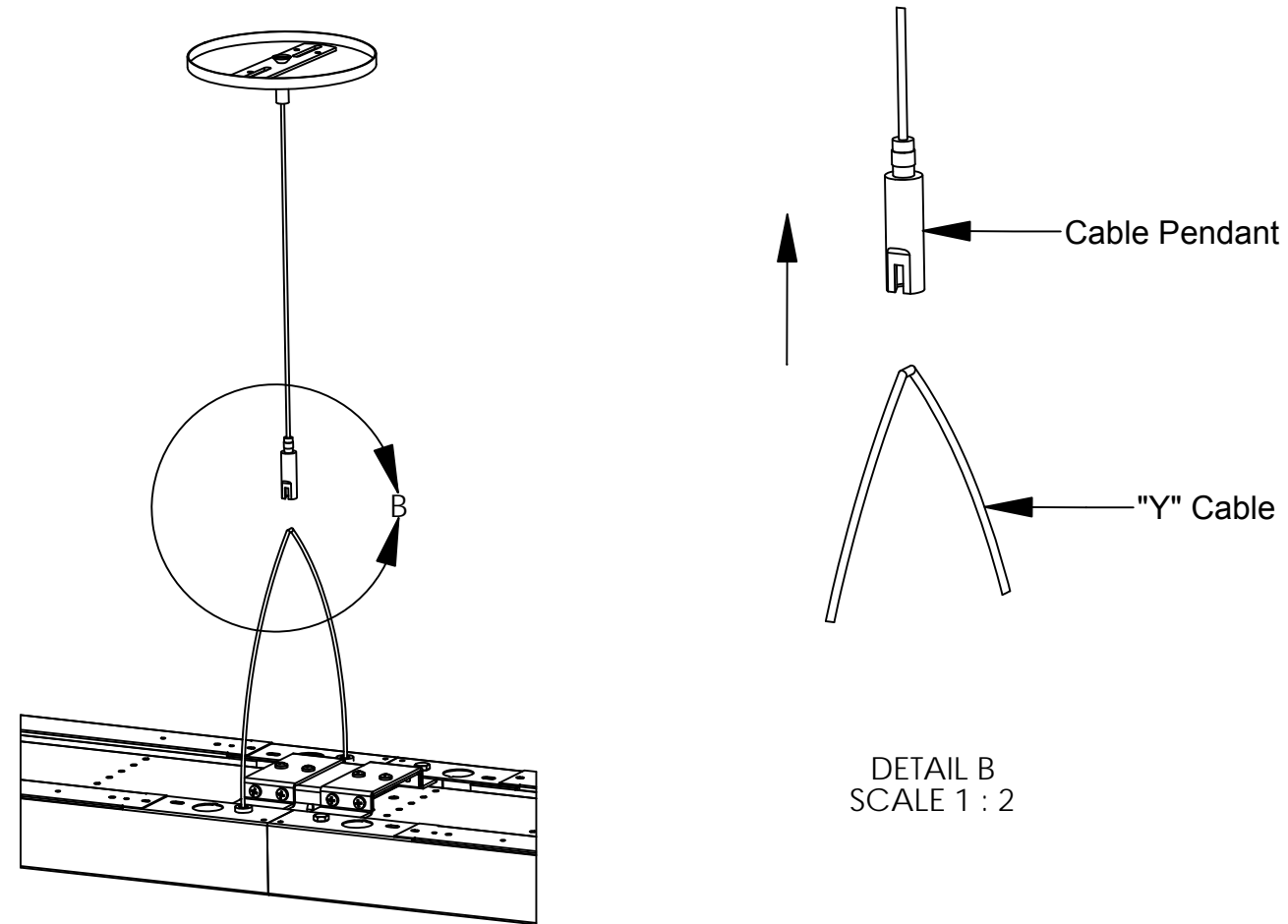
SLP-Pendant Cont. Run Bracket Installation Instructions

Step 4 - Mount The Fixture



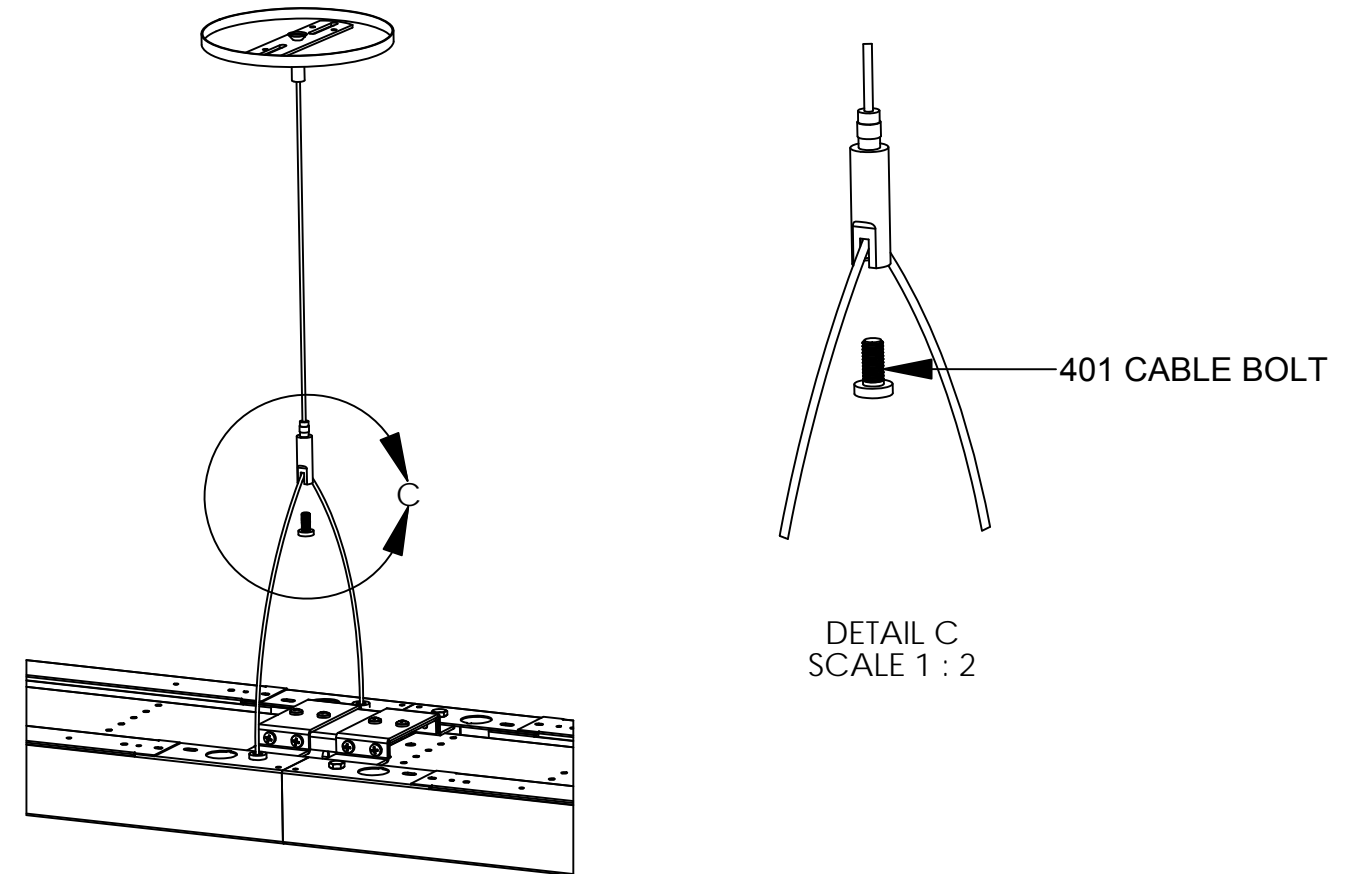
Texas Fluorescents Reinvented

A. Prepare Cable Assembly

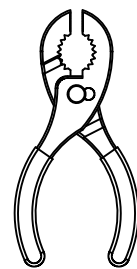


- Guide the "Y" Cable in to the Cable Pendant as shown above.

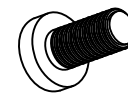
B. Secure The Fixture



- Tighten the Cable Bolt 1/4 turn with pliers. Repeat for both ends of the fixture.



PLIERS



401 CABLE BOLT
(Provided)

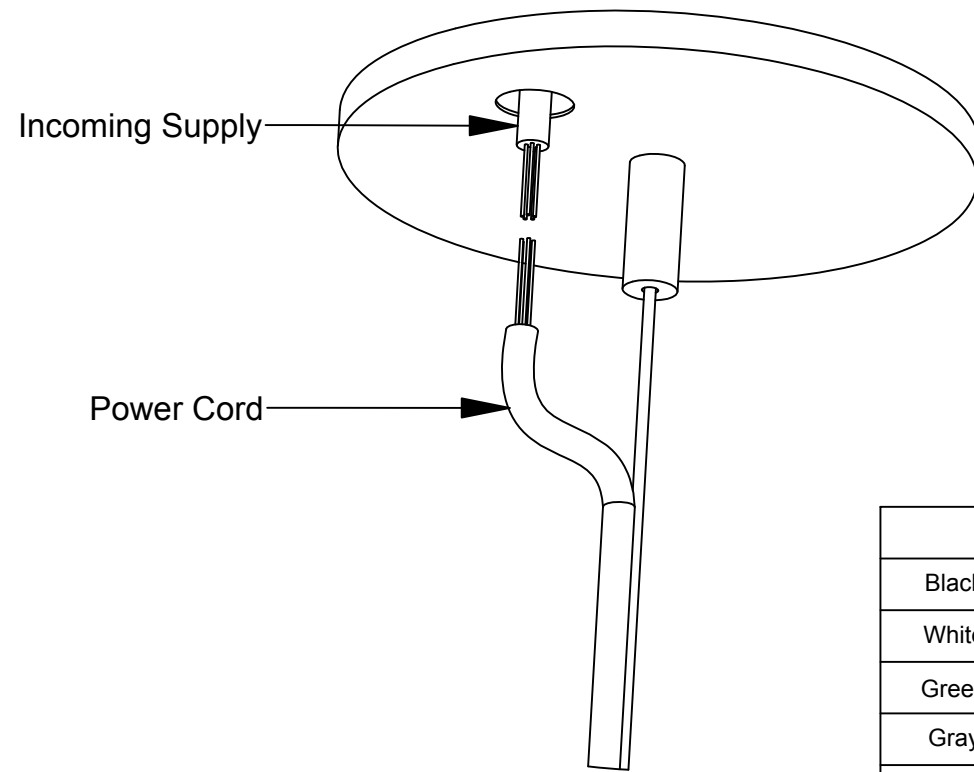
SLP-Pendant Cont. Run Bracket Installation Instructions

Step 5 - Connect Power Cord



Texas Fluorescents Reinvented

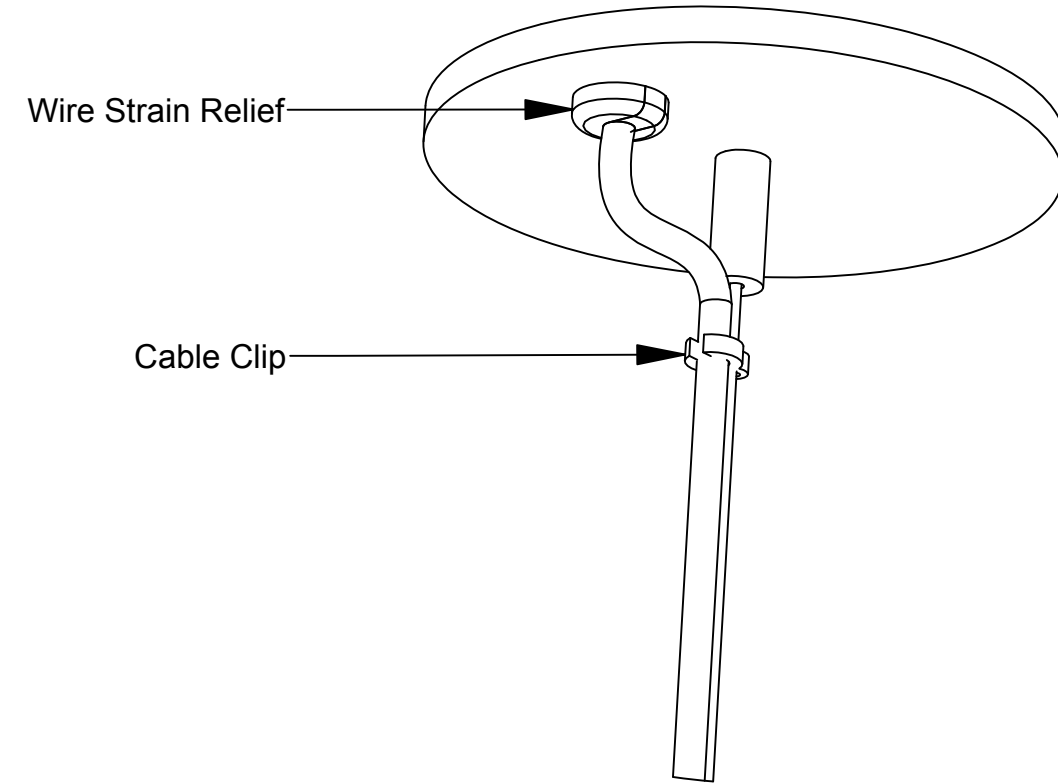
A. Connect The Wires



WIRING LEGEND		
Black	Hot	Line Voltage
White	Neutral	Line Voltage
Green	Ground	
Gray	Dimming	0-10V DC
Violet	Dimming	0-10V DC

- Connect the incoming supply to the power cord by following all local, state and national codes.
- Match wire colors together. Refer to the chart above as needed.

B. Install Grommet / Cable Clip



- After connecting the wires, feed the connections back in to the J-Box.
- Install the wire strain relief, and press in to the opening until it clicks in to place.
- Install the cable clip as shown above. Install is now complete.



Pendant Cable Clip
(Provided)



Wire Strain Relief
(Provided)



Pendant Power Cord
(Provided)