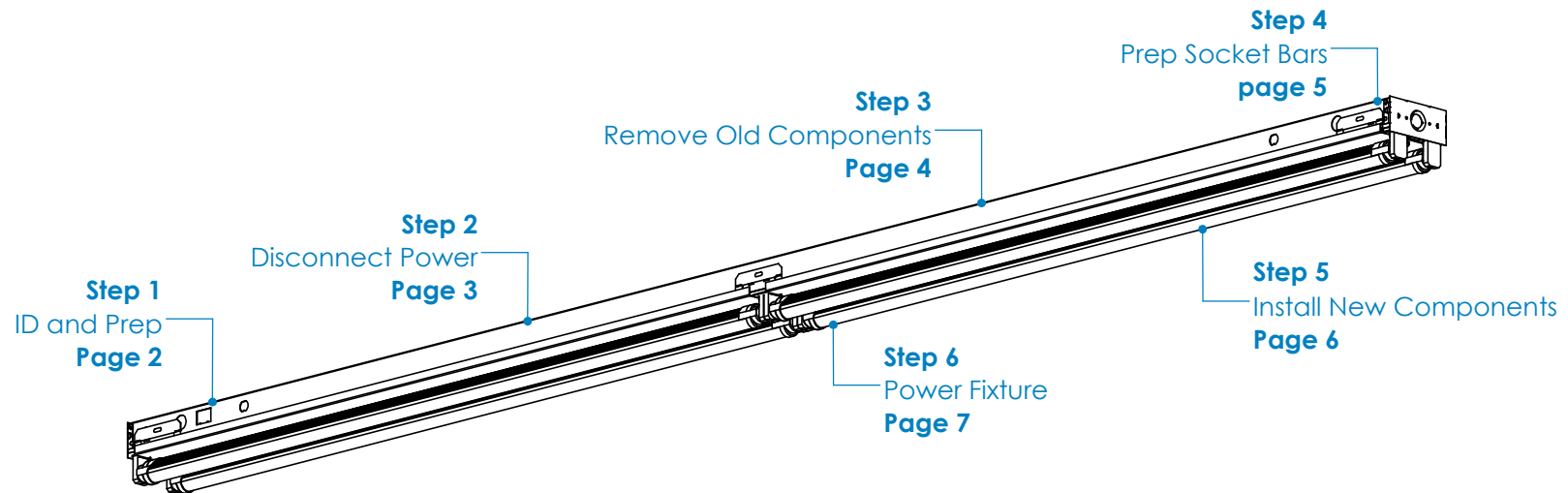


# Retrofit SKR Installation Instructions

## Overview

### WARNINGS

- This product must be installed in accordance with all applicable codes by a person familiar with the product.
- Each fixture must be **properly supported** during install.
- **DO NOT** join fixtures on the floor prior to lifting, or damage will occur.
- **Before beginning installation**, review our complete list of warnings by visiting [www.saylite.com/warnings](http://www.saylite.com/warnings).



# Retrofit SKR Installation Instructions

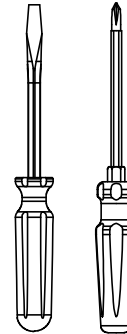
## Step 1 - Identification and Preparation

### A. Identify Fixtures

<b>SayliteLED</b> Texas Fluorescents Reinvented	
PART# SKRxxxxBxL11X1xx	
VOLTAGE: 120-277, 50/60HZ	CCT: XXXX
WATTAGE: XX MAX	DATE CODE: XX/XX/XX
FLUX: XXXX LUMENS	TYPE: XX

- Use labels found on the box and inside the fixture bodies to identify bodies.
- **NOTE:** Locations of labels can vary.
- Remove all fixtures from their boxes.
- Organize fixtures based on their labels at the install location.
- **Included hardware will vary depending on fixture model and configuration.**

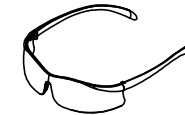
### B. Tools Needed



Screwdrivers



Pliers



Safety Glasses

- Always use proper safety equipment when installing fixtures.
- Tools shown are recommended for standard install. Tools needed may vary based on actual install location conditions.

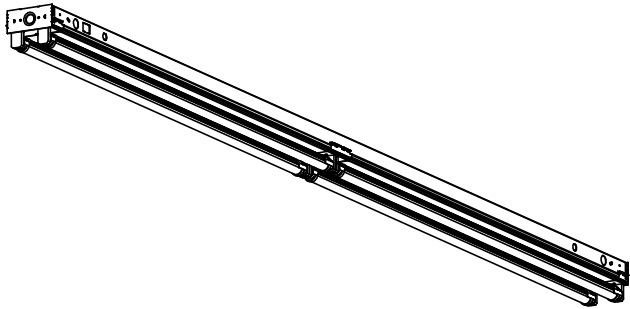
#### Kitted Hardware

- Saylite has provided the items listed here, with their Saylite part numbers listed. These items can be found in separate boxes shipped with the fixture.
- Ensure all parts are accounted for and set them aside until needed.
- Any additional hardware needed for this installation will be provided by others.

## Retrofit SKR Installation Instructions

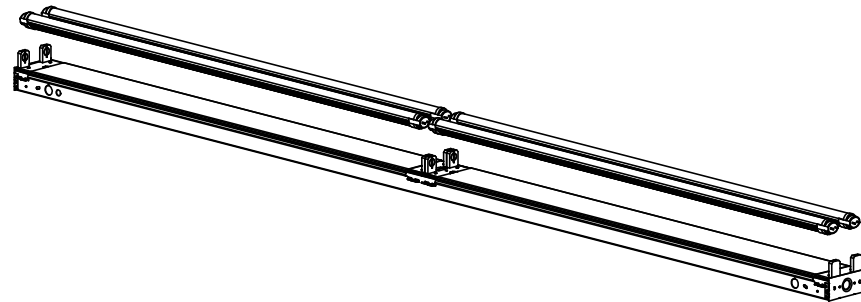
### Step 2 - Disconnect Electrical

#### A. Disconnect Power



- **Shut off power supply to fixture before disconnecting any wiring components.**
- Disconnect power feed from fixture according to all local, state and national codes.

#### B. Remove Bulbs

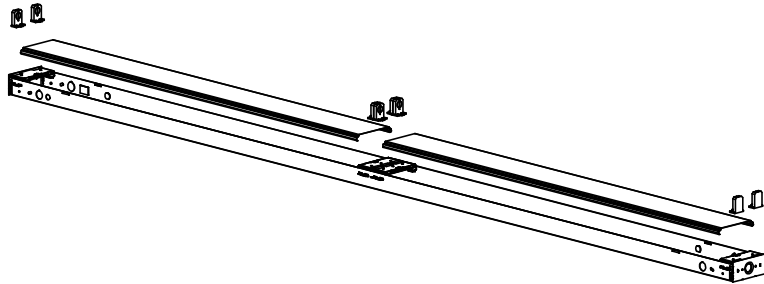


- Remove the 8 ft bulbs from the sockets. Recycle or discard of the bulbs appropriately.

# Retrofit SKR Installation Instructions

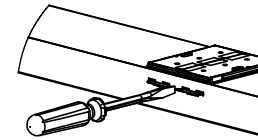
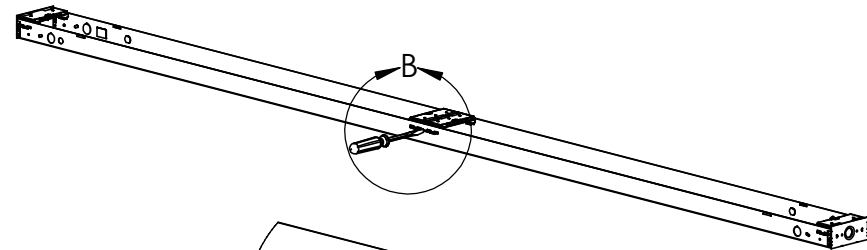
## Step 3 - Remove Obsolete Components

### A. Uninstall Ballast Cover and Sockets

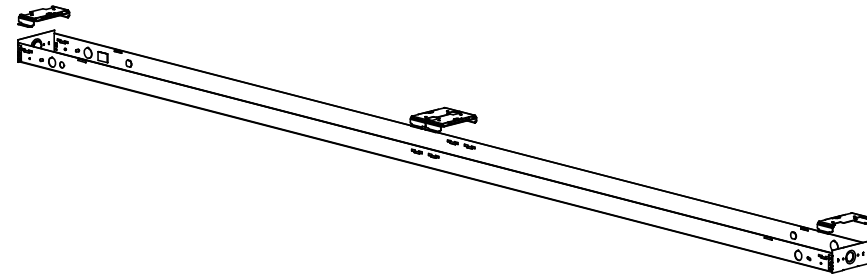


- Remove the ballast covers from the socket bars by prying up gently on one side of the ballast cover.
- Uninstall the obsolete sockets with associated wiring and discard.

### B. Remove Socket Bars



DETAIL B  
SCALE 1 : 8



- Remove the obsolete socket bars by using a flat head screwdriver to press the socket bar tabs inward and discard.

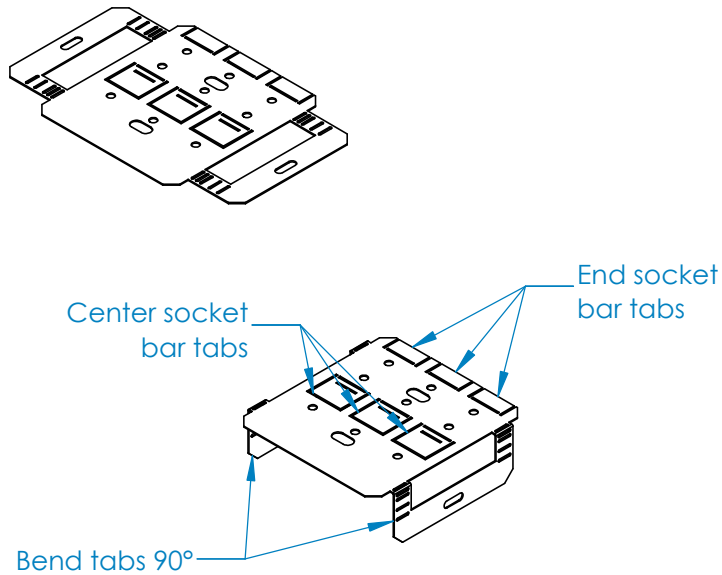
# Retrofit SKR Installation Instructions

## Step 4 - Prepare Socket Bars



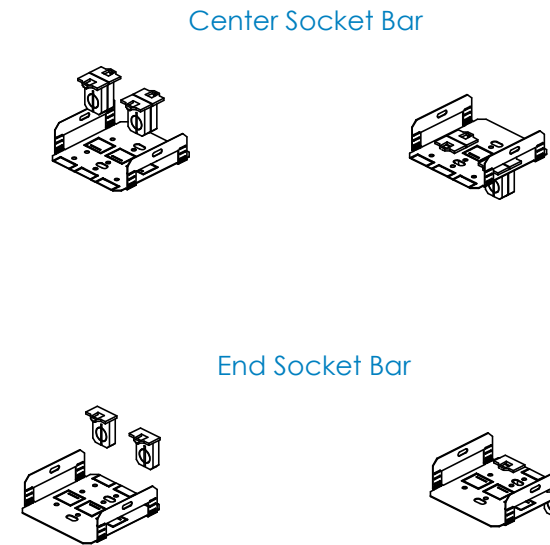
Texas Fluorescents Reinvented

### A. Bend Socket Bars



- Prepare retrofit socket bars by bending sides 90°. Use bend lines that best fit width of installed fixture.
- Remove tabs on retrofit socket bars depending on number of lamps and socket bar location. For end socket bars, remove tabs on edge of socket bar. For center socket bar, remove tabs in the middle of the socket bar.

### B. Install Sockets to Socket Bars

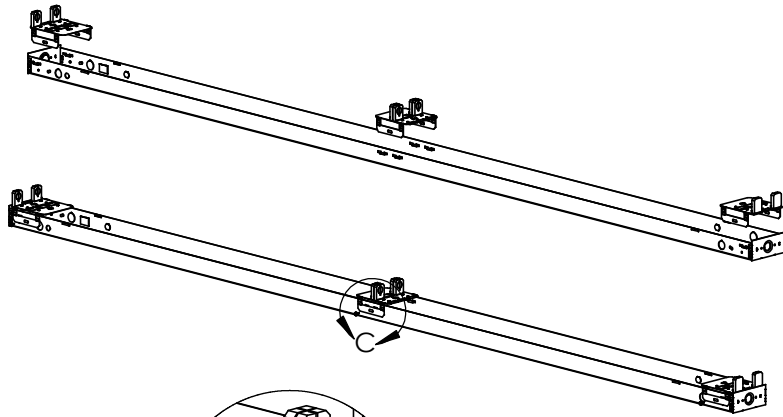


- Install the pre-wired sockets into the socket bars.
- Sockets will click into place when installed properly.
- The following pages show the proper installation of each pre-wired socket configuration. Each configuration corresponds to specific models of the RKITB fixture.

# Retrofit SKR Installation Instructions

## Step 5 - Install Socket Bars and Ballast Covers

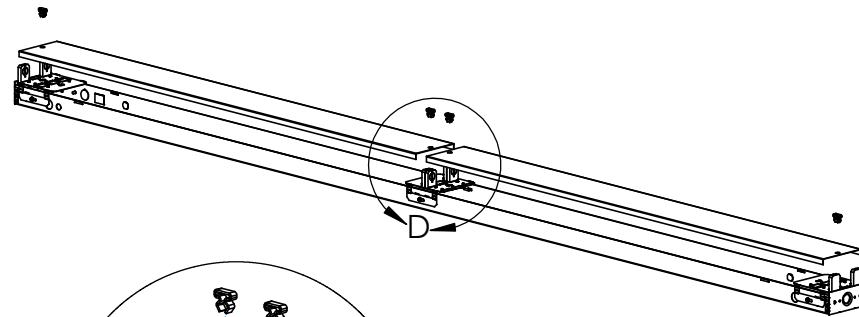
### A. Install Socket Bars



DETAIL C  
SCALE 1 : 5

- Install the socket bars to the C-strip pan, ensure the end socket bars are flush against the C-strip end caps.
- Use 3/8" TEK screws (not provided) to secure the socket bars to the C-strip pan as shown in Detail C.

### B. Install Ballast Covers



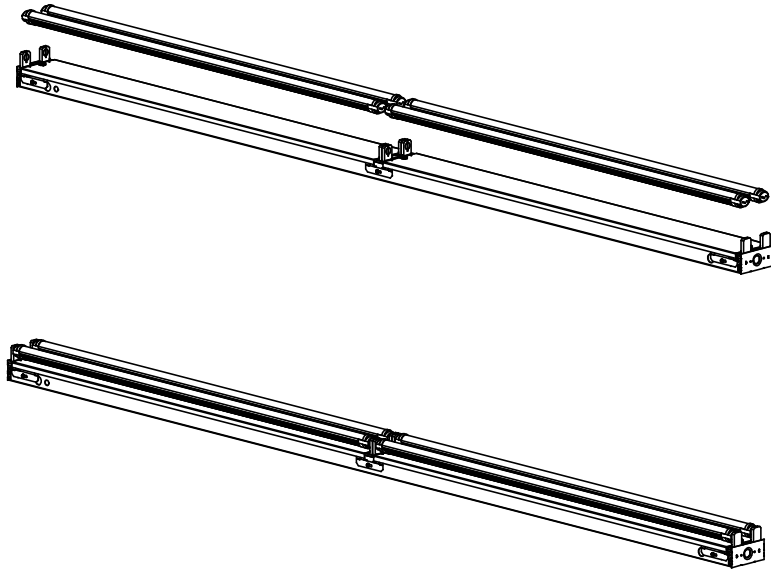
DETAIL D  
SCALE 1 : 6

- Using the provided butterfly nuts, secure the ballast cover(s) to the installed socket brackets.
- Ensure socket wiring is behind ballast cover(s) and that wiring is not damaged while securing ballast cover(s).

# Retrofit SKR Installation Instructions

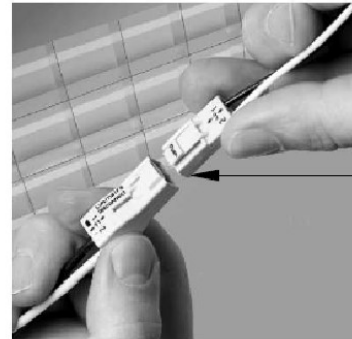
## Step 6 - Rewire Fixture

### A. Install New Bulbs



- Install the new bulbs (not provided) to the bulb sockets. Slide the bulbs into the slots of the sockets and rotate to secure.

### B. Connect Fixture Wiring



WIRING LEGEND		
BLACK	HOT	Line Voltage
WHITE	NEUTRAL	Line Voltage
GREEN	GROUND	
GRAY	DIMMING	0-10V DC
VIOLET	DIMMING	0-10V DC

- Wire each fixture to the incoming power supply using the provided quick disconnect clip as shown.
- For dimming option, refer to wiring legend above.
- Use UL approved connectors only. Follow all local, state and national codes.
- Installation is now complete.