

# SES-Recessed Grid Installation Instructions

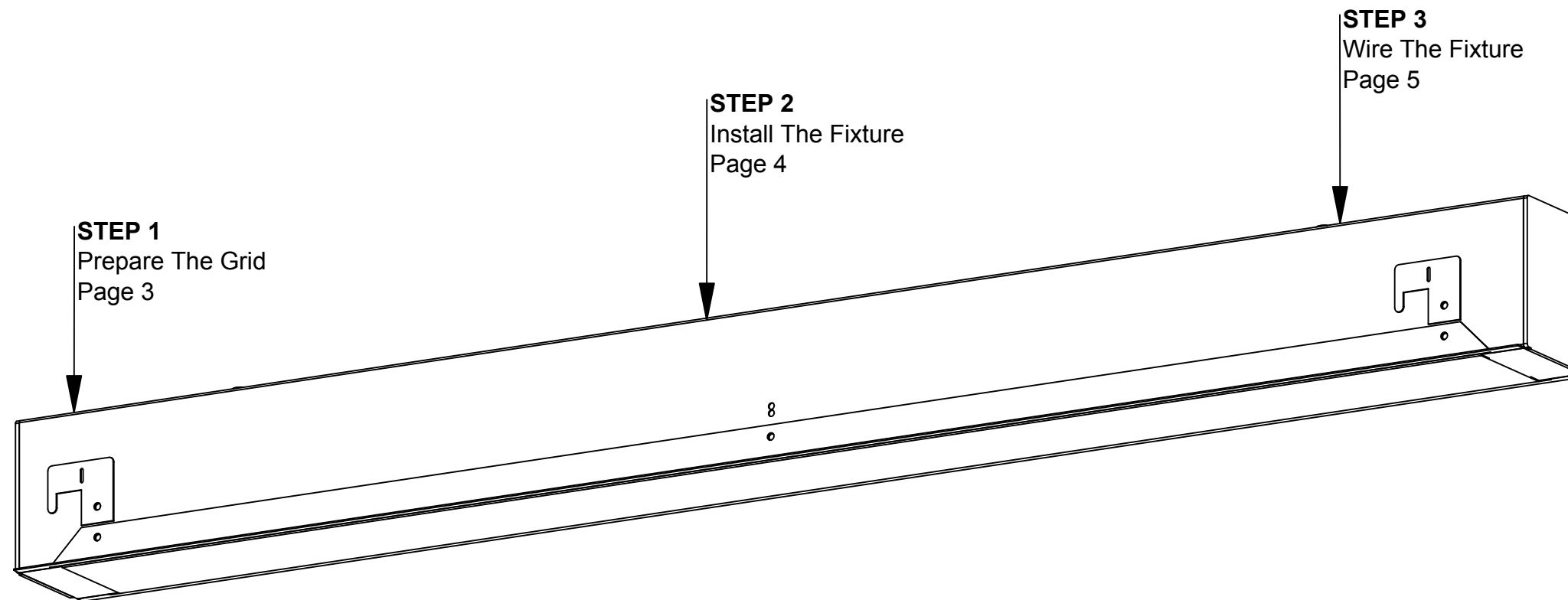
## Overview

### WARNINGS

- This product must be installed in accordance with all applicable codes by a person familiar with the product.
- Each fixture must be **properly supported** during install.
- **DO NOT** join fixtures on the floor prior to lifting, or damage will occur.
- **Before beginning installation**, review our complete list of warnings by visiting [www.saylite.com/warnings](http://www.saylite.com/warnings).



Texas Fluorescents Reinvented



We believe  
in the power  
of light.



Your particular build may vary.

2018© Saylite | 2055 Luna Road, Suite 142 Carrollton, Texas 75006 | [www.saylite.com](http://www.saylite.com)

1 of 5

Form BWE - SES-Recessed Grid V2 1/1/18

# SES-Recessed Grid Installation Instructions

## Preparation - Tools/Parts Identification



Texas Fluorescents Reinvented

### A. Identify Fixtures

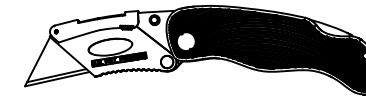


- Use labels found on the box and inside fixture bodies to identify bodies.
- **NOTE:** Locations of labels can vary.
- Remove all fixtures from their boxes.
- Organize fixtures based on their labels at the install location.

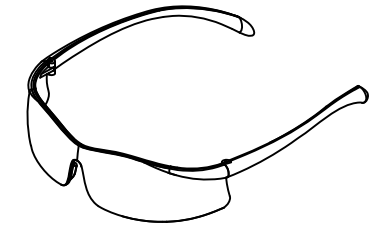
### B. Tools Needed



Screwdriver



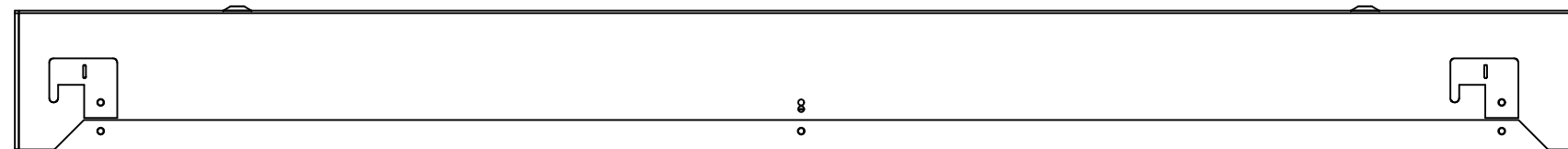
Utility Knife



Safety Glasses

- Always use proper safety equipment when installing fixtures.
- Tools shown are recommended for standard install. Tools needed may vary based on actual install location conditions.

### C. Identify Parts



SES-Recessed Grid Fixture  
(Provided)

- Read entire install instructions before beginning installation.
- Unpack all components and arrange in order of install steps.
- For help with installation, please contact us at [www.saylite.com](http://www.saylite.com) or call us at (972) 247-3171.

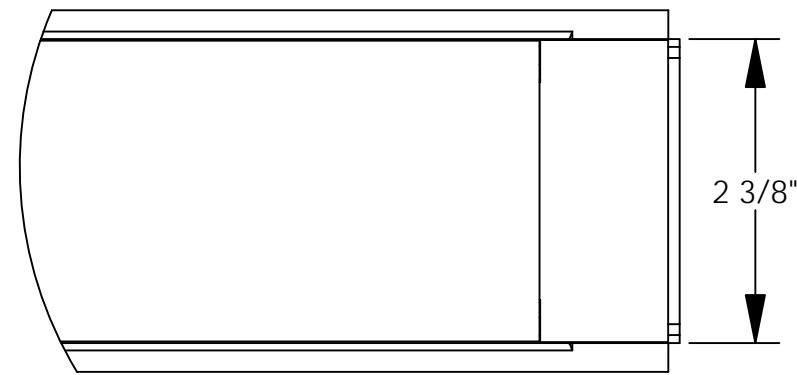
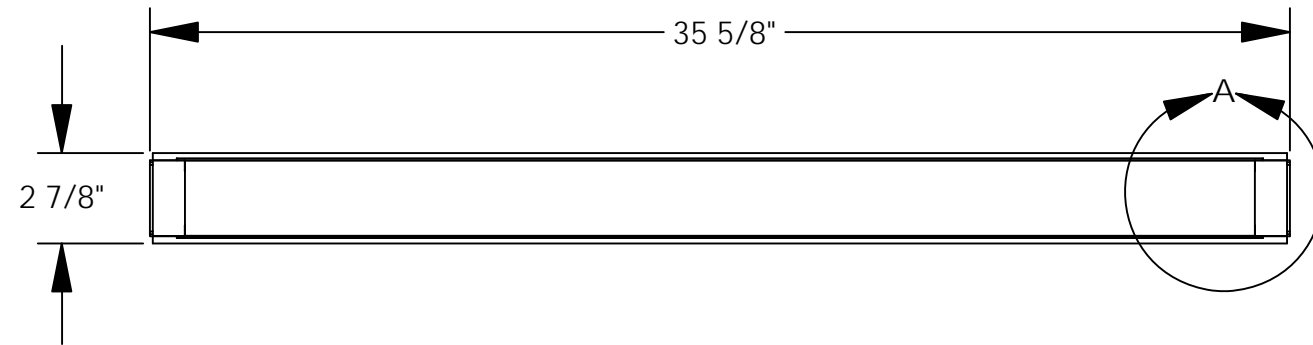
# SES-Recessed Grid Installation Instructions

## Step 1 - Prepare The Grid



Texas Fluorescents Reinvented

### A. Transfer Measurements

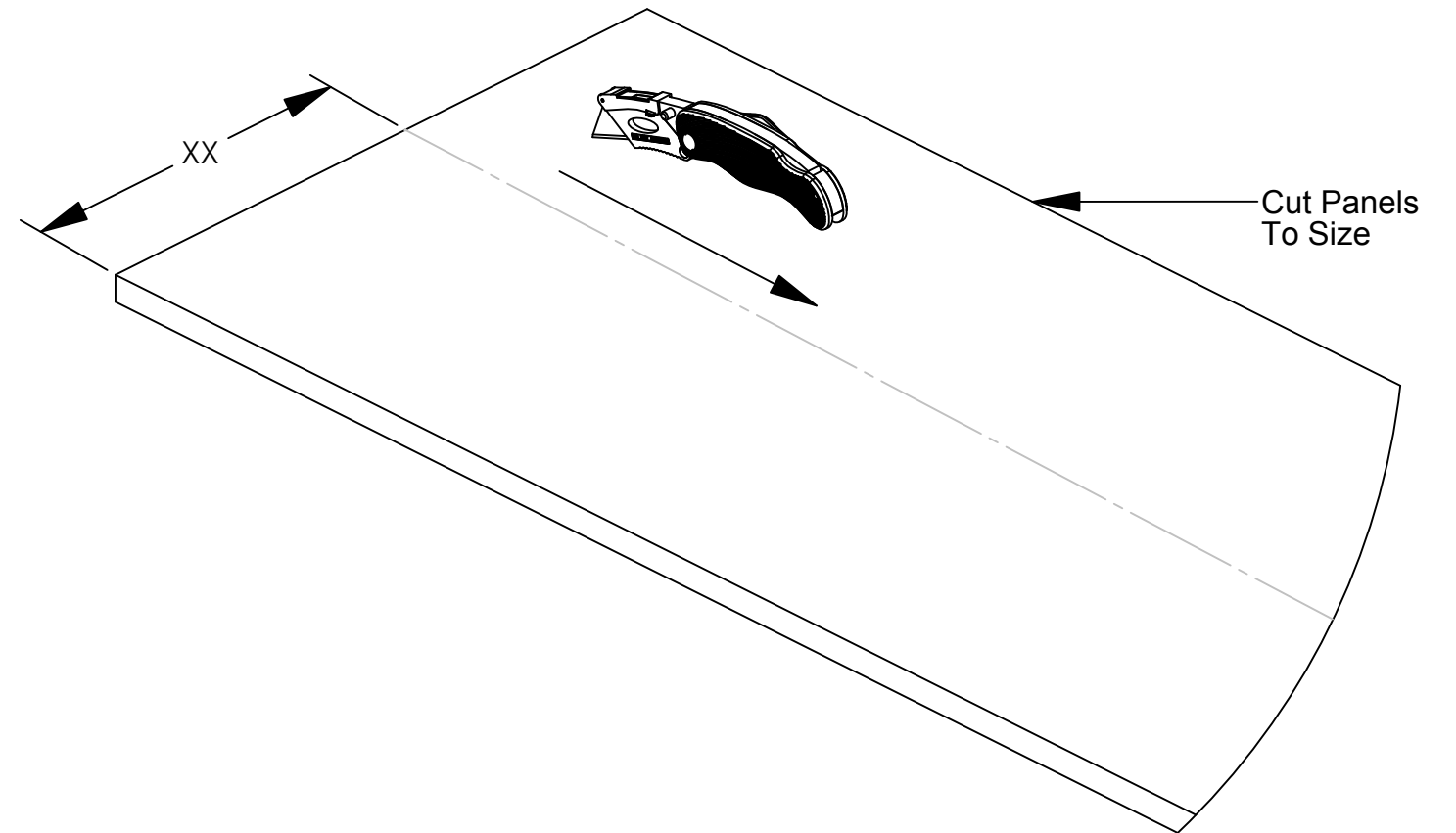


DETAIL A  
SCALE 1 : 1.5

**Note: 3FT fixture shown,  
fixture length may vary.**

- Note the length and width dimensions of the fixture, including the pre-installed flange.
- Transfer the dimensions to the grid. Set the grid rails to the proper width.

### B. Cut Ceiling Panels



- Cut ceiling panels to fit the custom, fixture-spaced grid.

### Items Used In This Step



Utility Knife

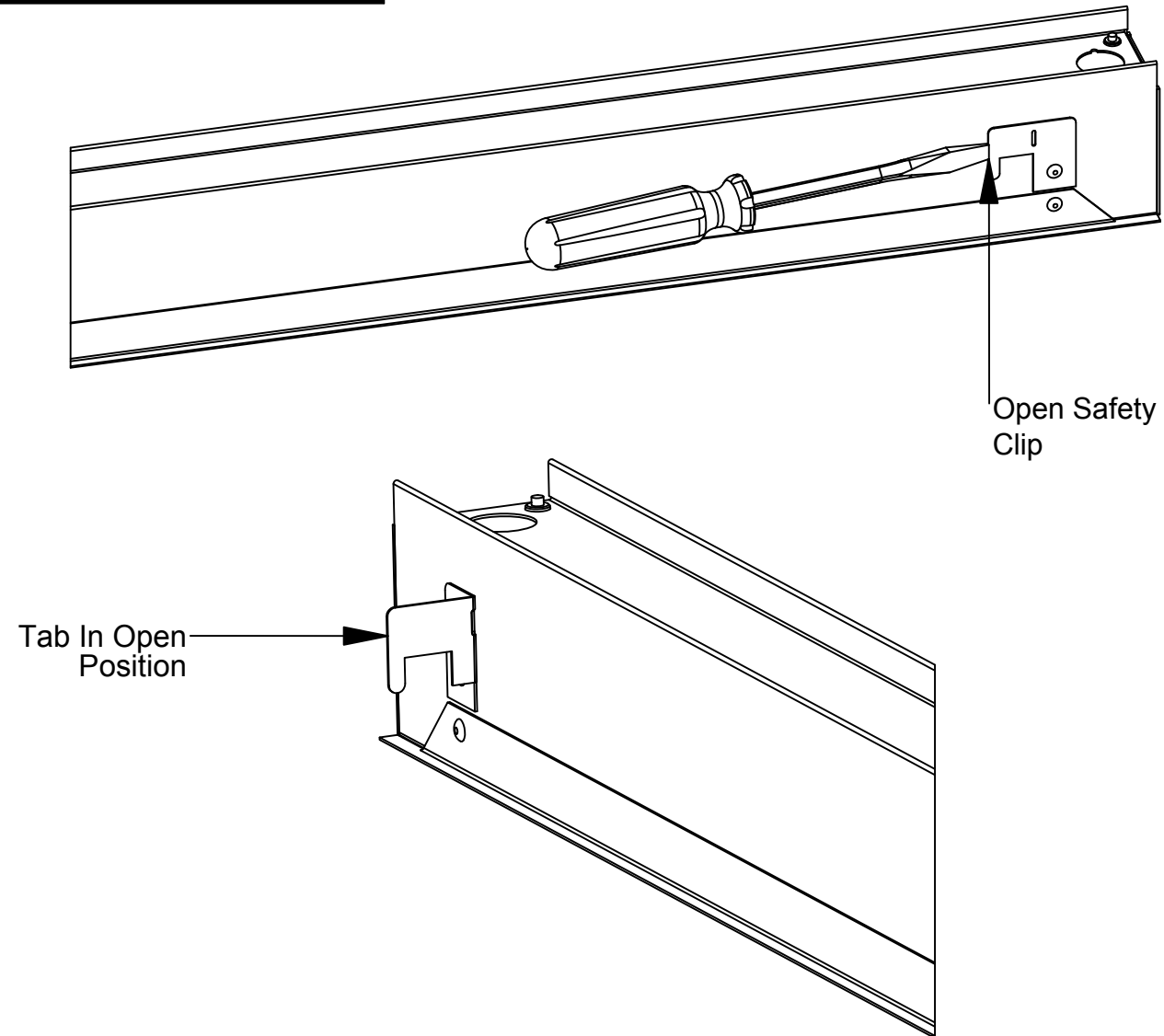
# SES-Recessed Grid Installation Instructions

## Step 2 - Install The Fixture



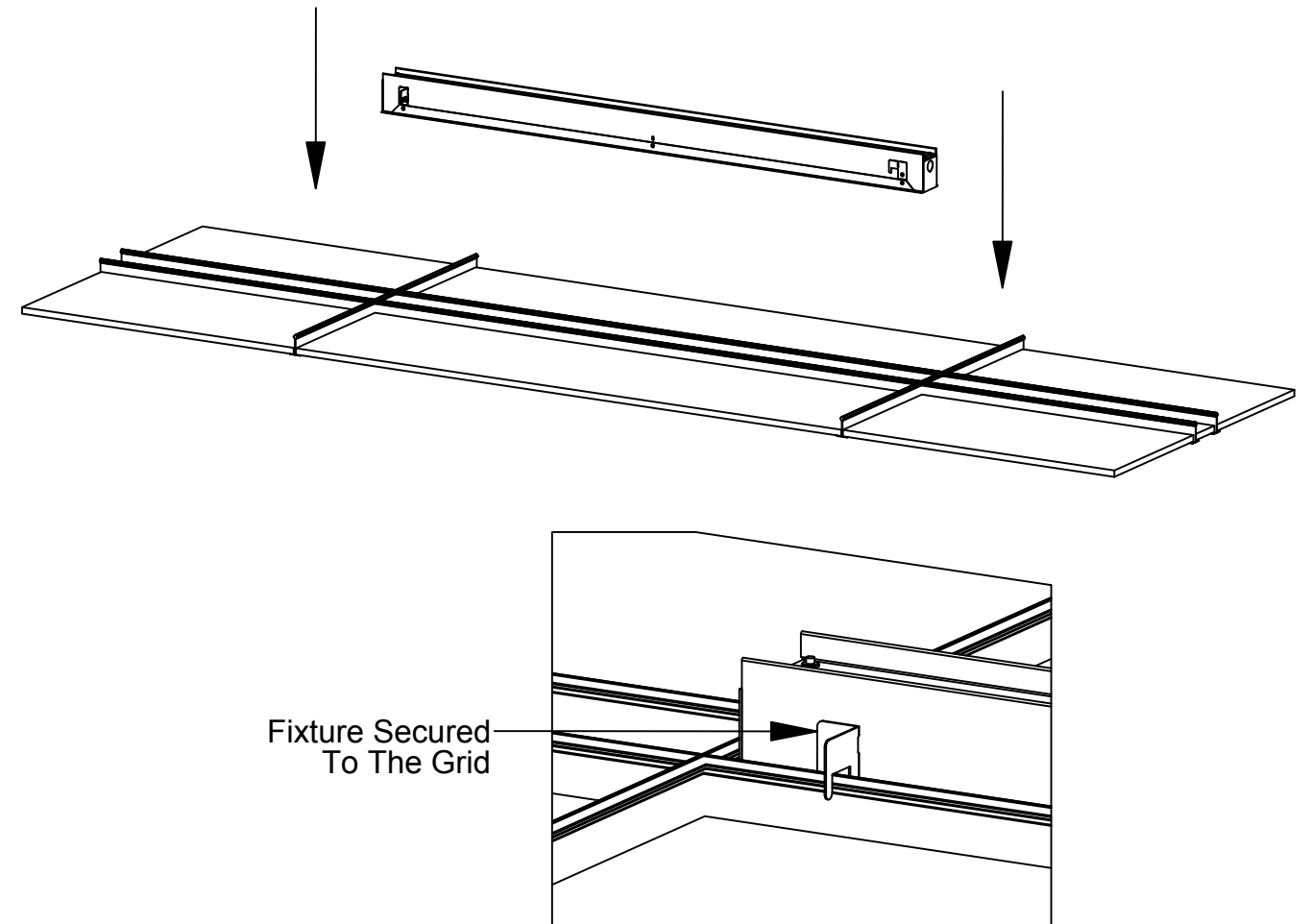
Texas Fluorescents Reinvented

### A. Open Safety Clips



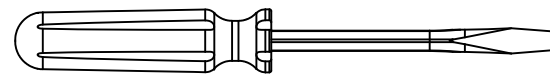
- Using a flat tip screwdriver, pry open the pre-installed safety clip to a 90° angle.
- Repeat for all safety clips on the fixture.

### B. Install To The Grid



- Position the fixture to the grid as shown above.
- **Note:** All safety clips must be properly installed over the grid bars as shown.

### Items Used In This Step



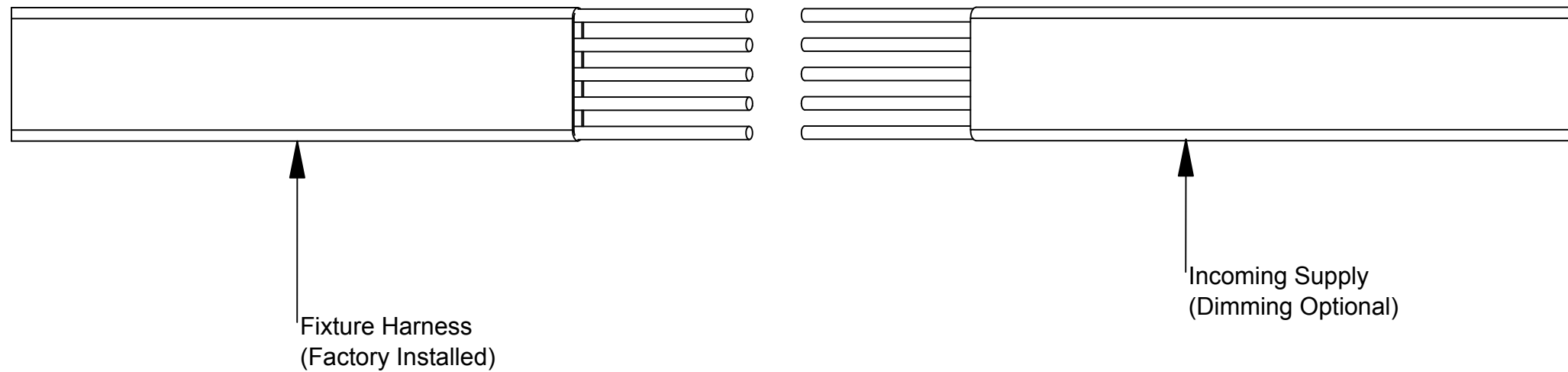
Flat Tip Screwdriver

# SES-Recessed Grid Installation Instructions

## Step 2 - Wire The Fixture

### A. Connect Power Cord

WIRING LEGEND		
Black	Hot	Line Voltage
White	Neutral	Line Voltage
Green	Ground	
Gray	Dimming	0-10V DC
Violet	Dimming	0-10V DC



- Wire the fixture to the incoming supply. Refer to the wiring legend above as needed.
- **Note:** Use UL approved connectors only. Follow all local, state and national codes.
- Install is now complete.

### Items Used In This Step