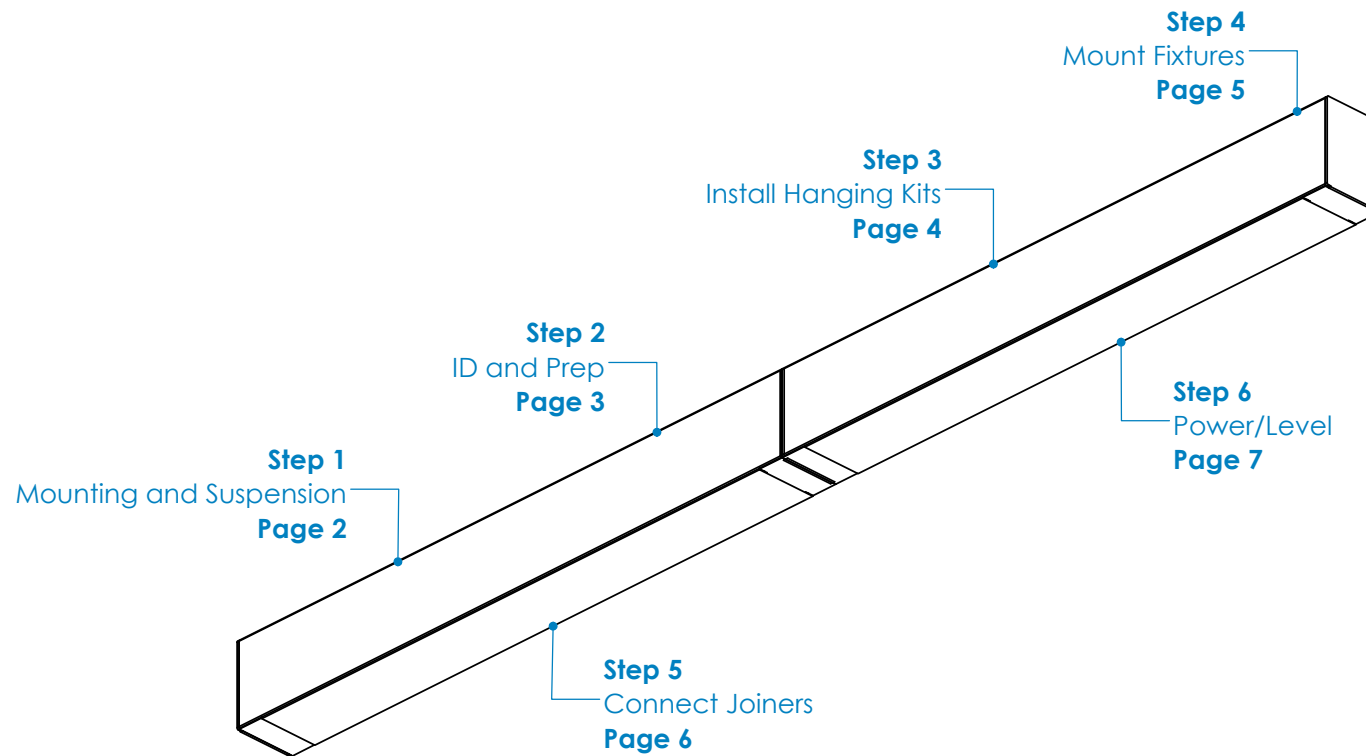


SES-Pendant-Continuous-Run Installation Instructions

Overview

WARNINGS

- This product must be installed in accordance with all applicable codes by a person familiar with the product.
- Each fixture must be **properly supported** during install.
- **DO NOT** join fixtures on the floor prior to lifting, or damage will occur.
- **Before beginning installation**, review our complete list of warnings by visiting www.saylite.com/warnings.



Your particular build may vary.

2020© Saylite | 2055 Luna Road, Suite 142, Carrollton, TX 75006 | www.saylite.com

SES-Pendant-Continuous-Run Installation Instructions

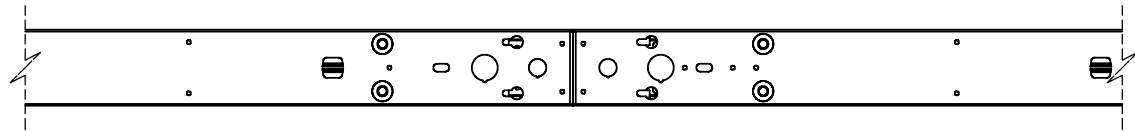
Step 1 - Mounting and Suspension

Mounting

Drywall or other hard surfaces - HC 301 Hanging Kit*

- Install hanging kits at suspension locations.
- Ensure hanging kits are secure.
- Prepare fixture for mounting.

Other hard surfaces include: wood, sheet metal panels, steel beams, concrete or masonry. Use hardware appropriate for each surface and material type.



Suspension Locations

X = Suspension Dimensions

Refer to Assembly Drawings and building plans to determine exact mounting, suspension points, and power feed locations.

SES-Pendant-Continuous-Run Installation Instructions

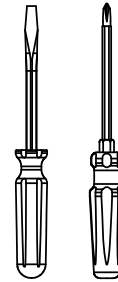
Step 2 - Identification and Preparation

A. Identify Fixtures

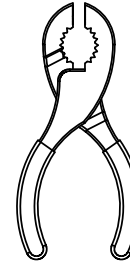
SayliteLED Texas Fluorescents Reinvented	
PART# SES24PSFxxFxxWxxxxLDMV-B/-J/-E	
VOLTAGE: 120-277, 50/60HZ	CCT: XXXX
WATTAGE: XX MAX	DATE CODE: XX/XX/XX
FLUX: XXXX LUMENS	TYPE: XX

- Use labels found on the box and inside the fixture bodies to identify bodies.
- **NOTE:** Locations of labels can vary.
- Remove all fixtures from their boxes.
- Organize fixtures based on their labels at the install location.

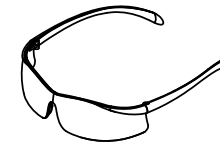
B. Tools Needed



Screwdrivers



Pliers



Safety Glasses

- Always use proper safety equipment when installing fixtures.
- Tools shown are recommended for standard install. Tools needed may vary based on actual install location conditions.

Kitted Hardware

- Saylite has provided the items listed here, with their Saylite part numbers listed. These items can be found in separate boxes shipped with the fixture.
- Ensure all parts are accounted for and set them aside until needed.
- Any additional hardware needed for this installation will be provided by others.

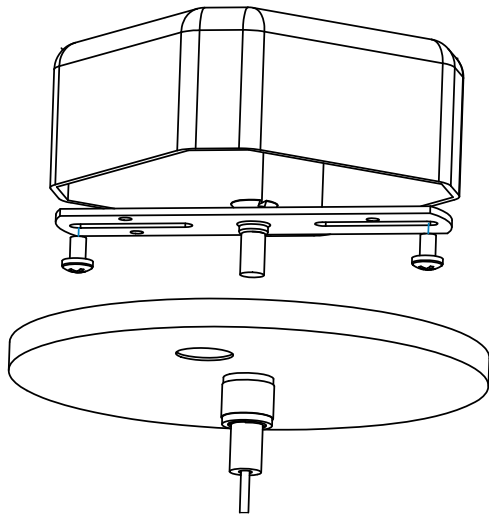
SES-Pendant-Continuous-Run Installation Instructions

Step 3 - Install Hanging Kits



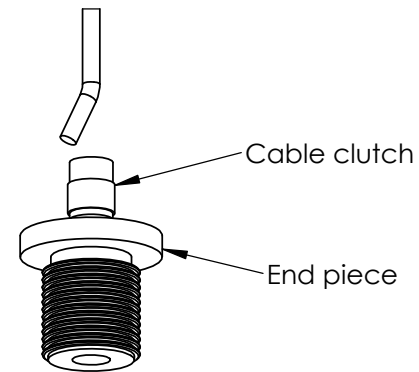
Texas Fluorescents Reinvented

A. Install to Ceiling



- Install the hanging kits to the ceiling at the desired mounting locations.
- Ensure that hanging kits are properly secured.
- Refer to hanging kit installation guide for more information.

B. Prepare Cable Assembly



- Assemble the cable clutch assembly by threading the cable thru the cable clutch and end piece as shown.

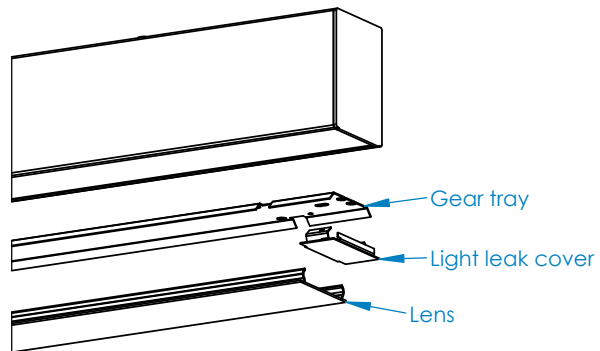
SES-Pendant-Continuous-Run Installation Instructions

Step 4 - Mount the Fixtures



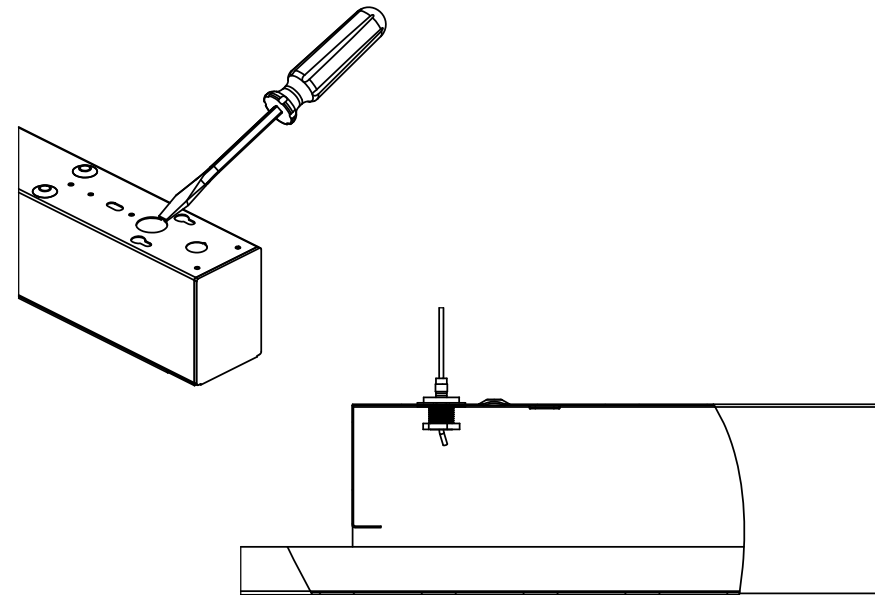
Texas Fluorescents Reinvented

A. Remove Components



- Remove the lens from each fixture by using a flat head screwdriver to gently pry the lens off. Remove the light leak covers as well.
- Uninstall the LED gear tray by removing the screws securing it at each end.

B. Attach Cables



- Using a flathead screwdriver, gently pry off the 7/8" knockout to attach the cable end piece.
- Insert the end piece to the fixture and then use the 1/2" washer and nut provided to secure the fixture.
- One end of a fixture at each joint will need to be supported until the next step is completed.

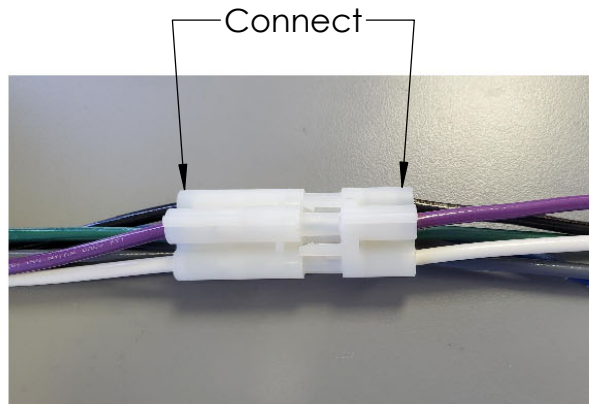
SES-Pendant-Continuous-Run Installation Instructions

Step 5 - Join Fixtures



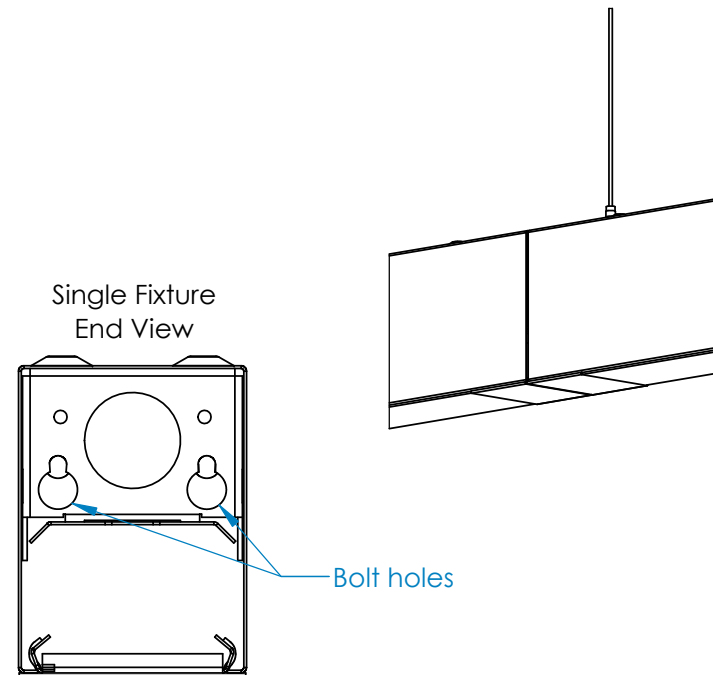
Texas Fluorescents Reinvented

A. Connect Wiring



- Connect the wiring between fixtures. Press connectors together until a 'click' is heard.

B. Secure Fixtures



- Use bolts and nuts (not provided) to secure fixtures to one another. Ensure that nuts and bolts are installed after wiring has been connected.

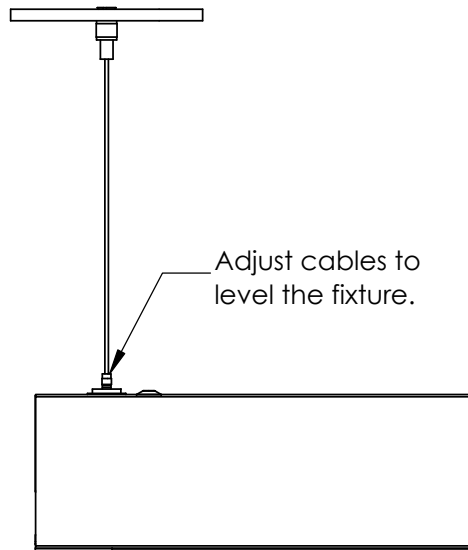
SES-Pendant-Continuous-Run Installation Instructions

Step 6 - Power and Level the Fixture



Texas Fluorescents Reinvented

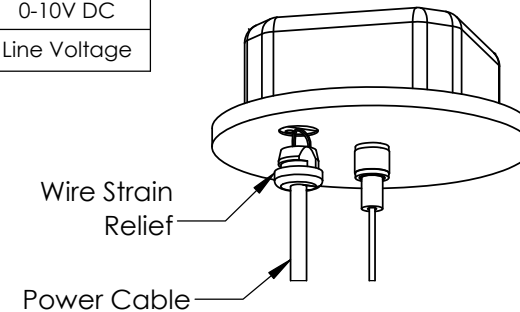
A. Level and Install Components



- Level the assembly as needed. Depress the cable clutch to adjust the cables.
- Reinstall the gear tray, lens, and light leak covers removed in step 4.

B. Connect Power

WIRING LEGEND		
BLACK	Circuit 1	Line Voltage
WHITE	NEUTRAL	Line Voltage
GREEN	GROUND	
GRAY	DIMMING	0-10V DC
VIOLET	DIMMING	0-10V DC
BLUE	Circuit 2	Line Voltage



- Wire fixtures to the incoming power supply using the provided quick disconnect clip. For dimming option, refer to wiring legend above.
- Use UL approved connectors only. Follow all local, state and national codes.
- Insert the power cable into the wire strain relief, and push the wire strain relief into the canopy until it clicks into place.
- Fixture installation is now complete.