

# SER-Surface Installation Instructions

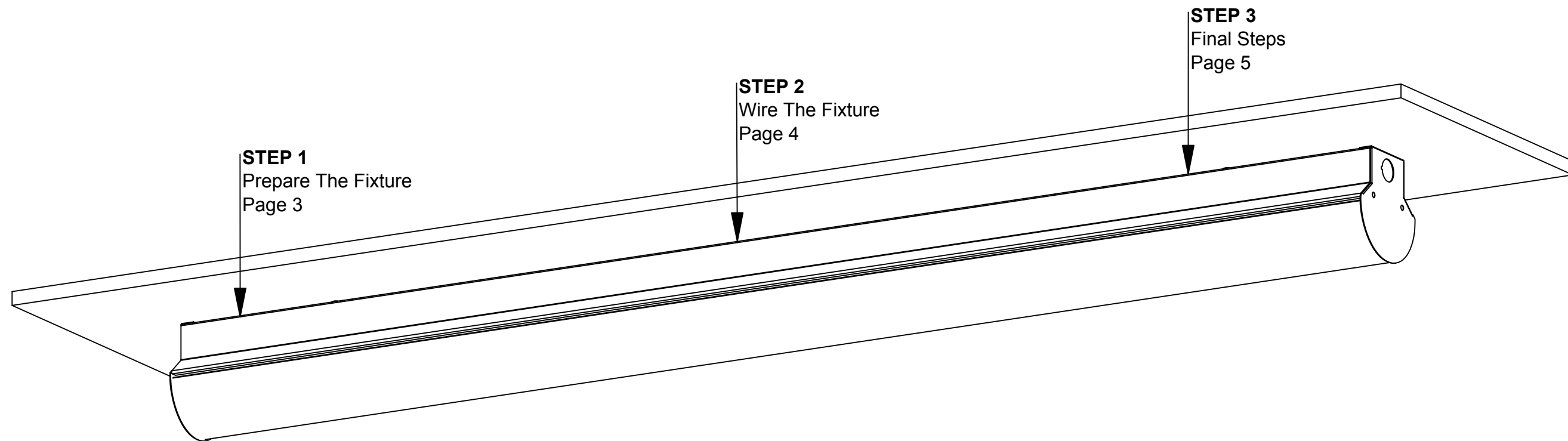
## Overview

### WARNINGS

- This product must be installed in accordance with all applicable codes by a person familiar with the product.
- Each fixture must be **properly supported** during install.
- **DO NOT** join fixtures on the floor prior to lifting, or damage will occur.
- **Before beginning installation**, review our complete list of warnings by visiting [www.saylite.com/warnings](http://www.saylite.com/warnings).



Texas Fluorescents Reinvented



**STEP 1**  
Prepare The Fixture  
Page 3

**STEP 2**  
Wire The Fixture  
Page 4

**STEP 3**  
Final Steps  
Page 5

We believe  
in the power  
of light.



Your particular build may vary.

2018© Saylite | 2055 Luna Road, Suite 142 Carrollton, Texas 75006 | [www.saylite.com](http://www.saylite.com)

1 of 5

Form BWE - SER-Surface V2 12/18

# SER-Surface Installation Instructions

## Preparation - Tools/Parts Identification



Texas Fluorescents Reinvented

### A. Identify Fixtures



- Use labels found on the box and inside fixture bodies to identify bodies.
- **NOTE:** Locations of labels can vary.
- Remove all fixtures from their boxes.
- Organize fixtures based on their labels at the install location.

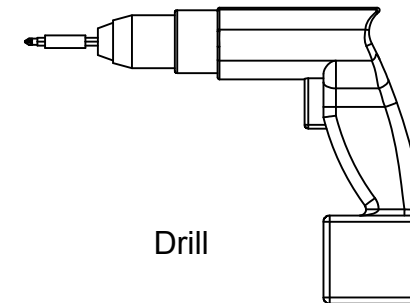
### B. Tools Needed



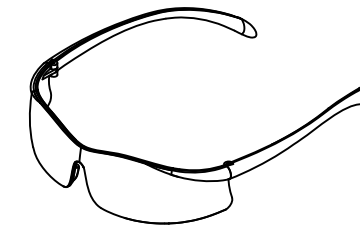
Screwdriver



3/4" Drill Bit



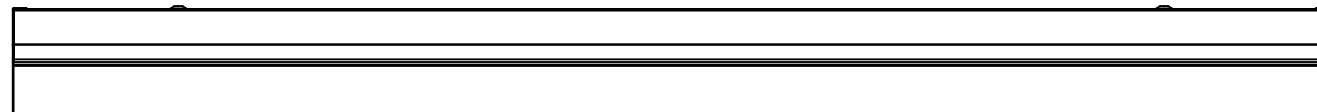
Drill



Safety Glasses

- Always use proper safety equipment when installing fixtures.
- Tools shown are recommended for standard install. Tools needed may vary based on actual install location conditions.

### C. Identify Parts



SER Surface Mount Fixture  
(Provided)



Mounting Screw W/ Anchor  
(By Others)

- Read entire install instructions before beginning installation.
- Unpack all components and arrange in order of install steps.
- For help with installation, please contact us at [www.saylite.com](http://www.saylite.com) or call us at (972) 247-3171.

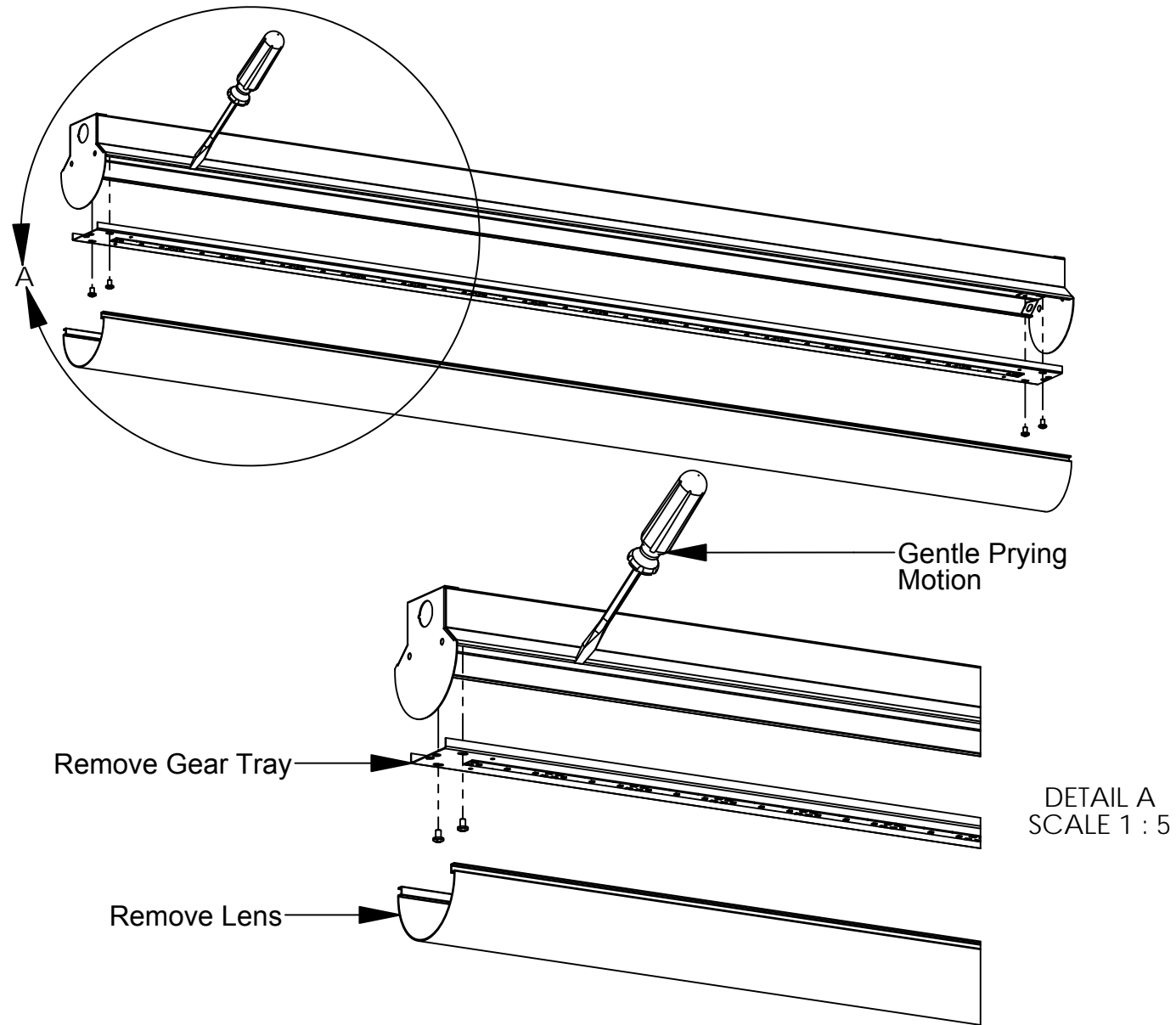
# SER-Surface Installation Instructions

## Step 1 - Prepare The Fixture



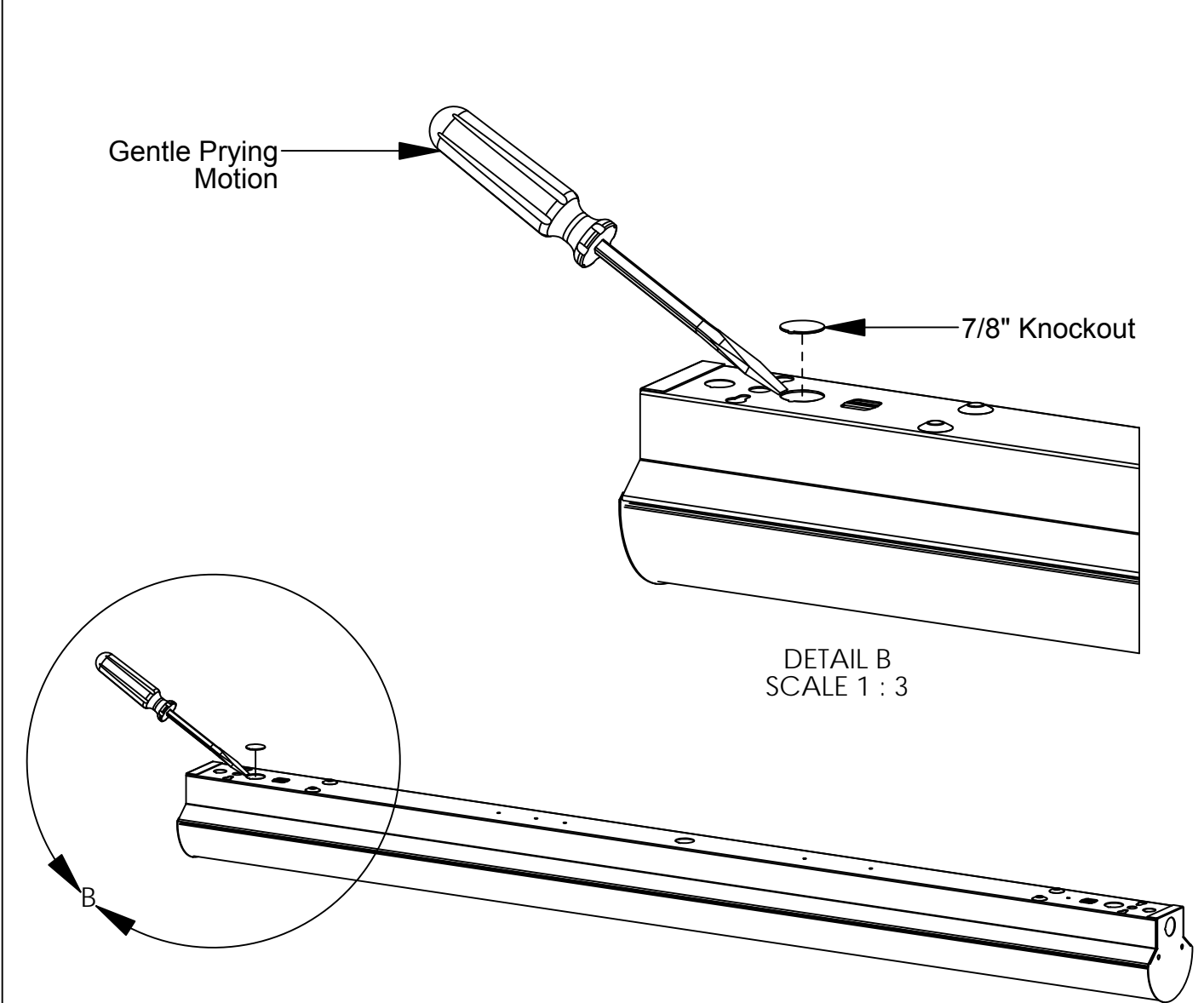
Texas Fluorescents Reinvented

### A. Remove The Lens & Gear Tray



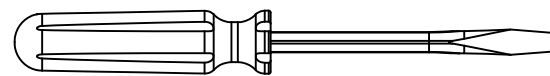
- Carefully insert a flat tip screwdriver, and use a gentle prying motion to remove lenses.
- Remove the gear tray as shown. Set the lens and gear tray aside in a safe location.

### B. Remove 7/8" Knockout



- Using a gentle, prying motion, remove the 7/8" knock out from the desired location.

### Items Used In This Step



Flat Tip Screwdriver

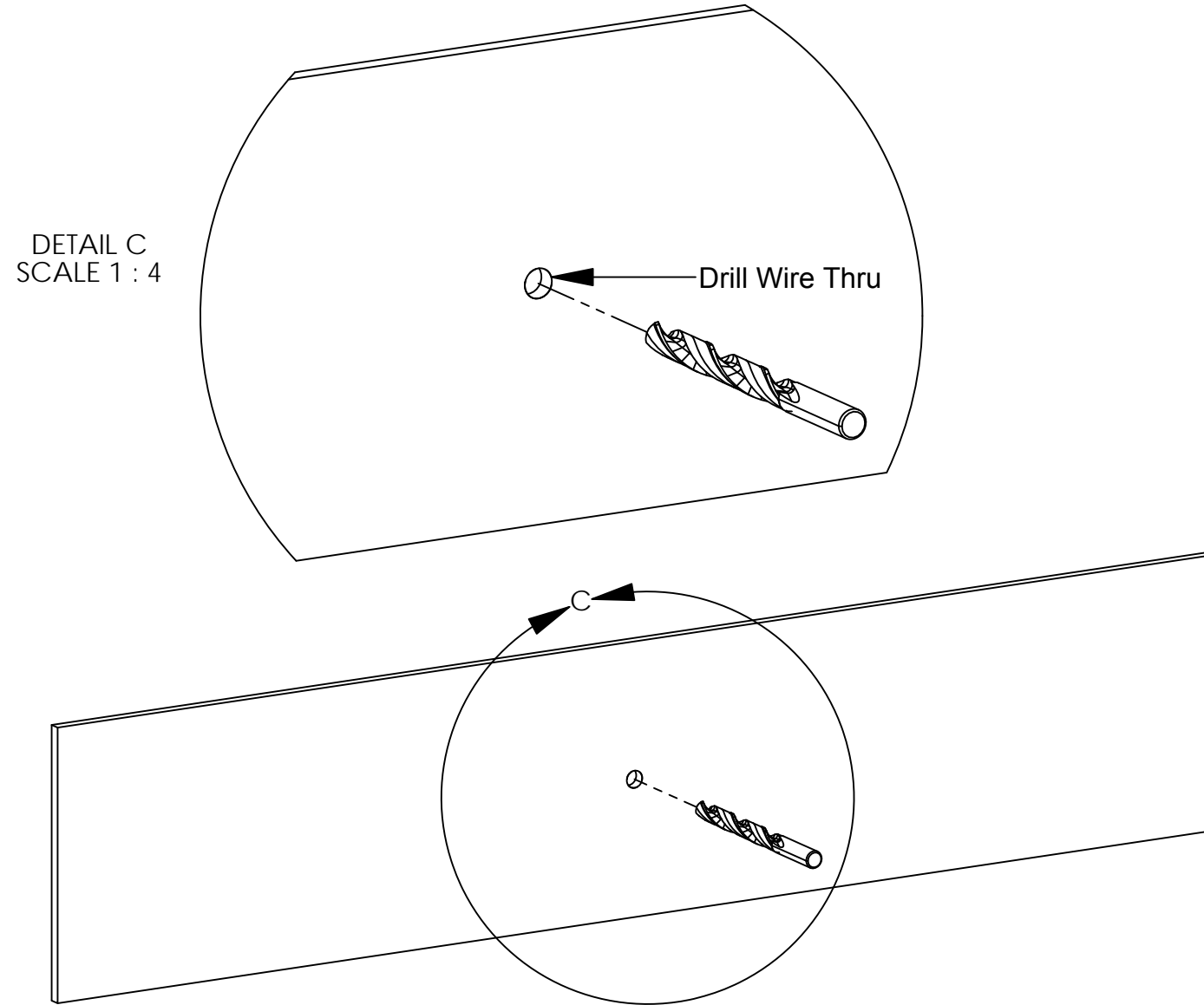
# SER-Surface Installation Instructions

## Step 2 - Wire The Fixture



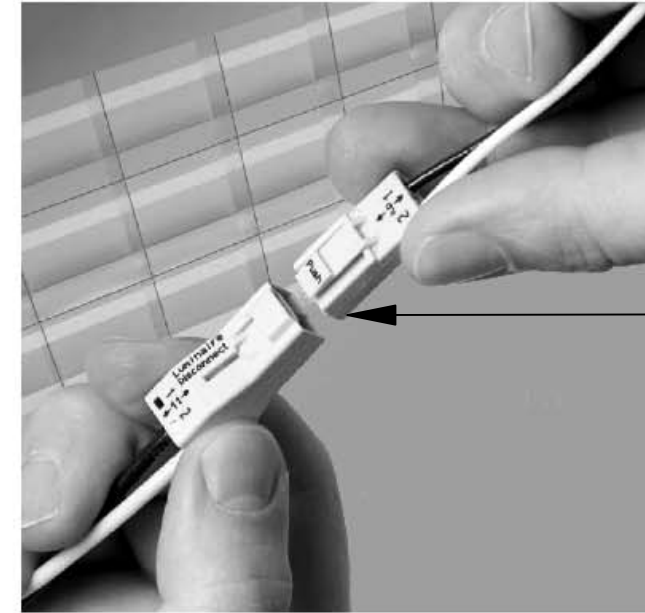
Texas Fluorescents Reinvented

### A. Drill Hole



- Using a 5/8" - 3/4" bit, drill a hole to allow supply wiring to pass thru.
- **Note:** Use caution when drilling as to not damage components inside of wall.

### B. Connect Power



Quick Disconnect

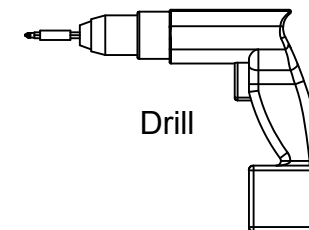
WIRING LEGEND		
Black	Hot	Line Voltage
White	Neutral	Line Voltage
Green	Ground	
Gray	Dimming	0-10V DC
Violet	Dimming	0-10V DC

- Wire the fixture to the incoming supply using provided quick clip as shown.
- For dimming option, refer to the wiring legend above as needed.
- **Note:** Use UL approved connectors only. Follow all local, state and national codes

### Items Used In This Step



3/4" Drill Bit



Drill

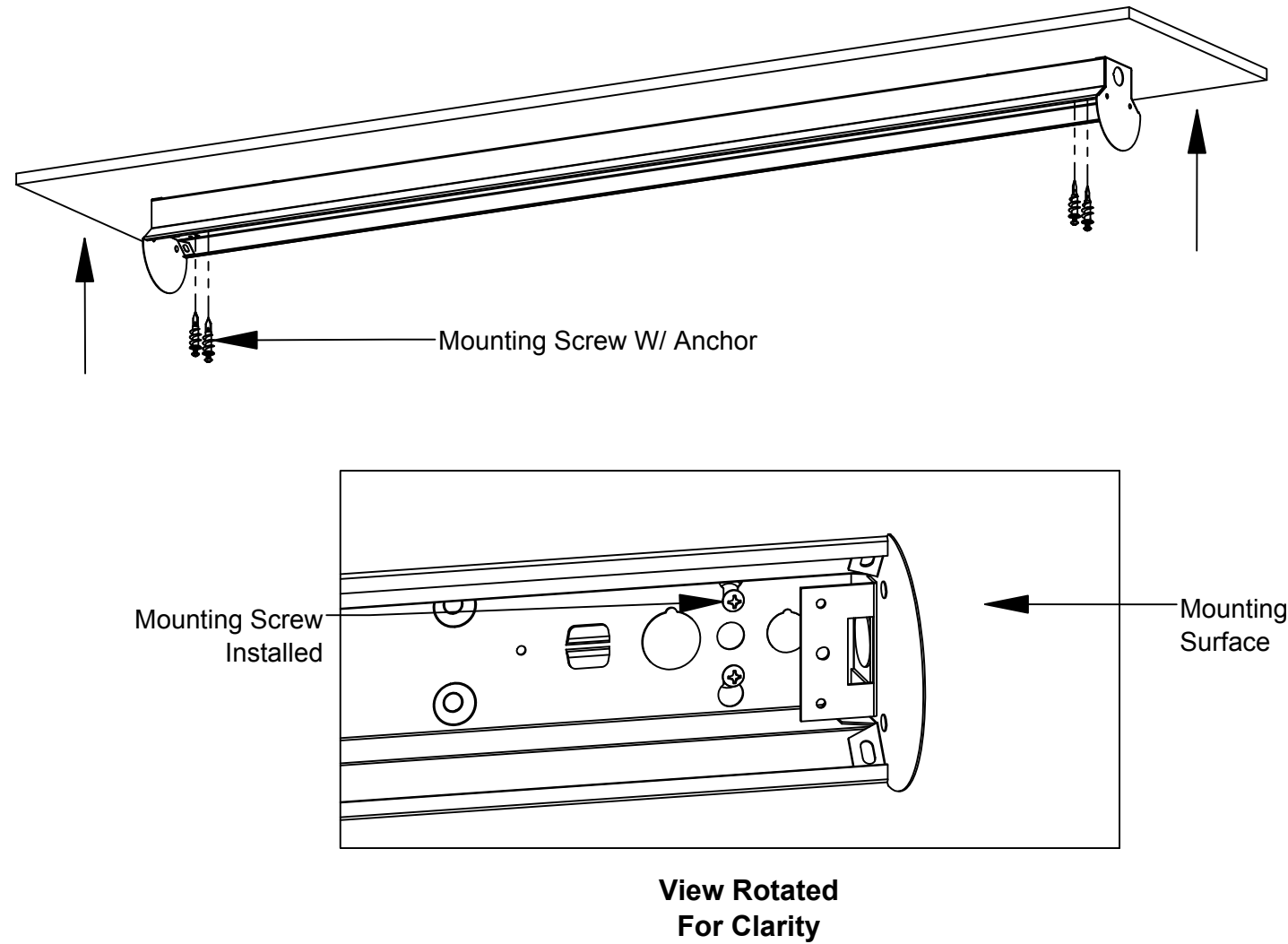
# SER-Surface Installation Instructions

## Step 3 - Final Steps



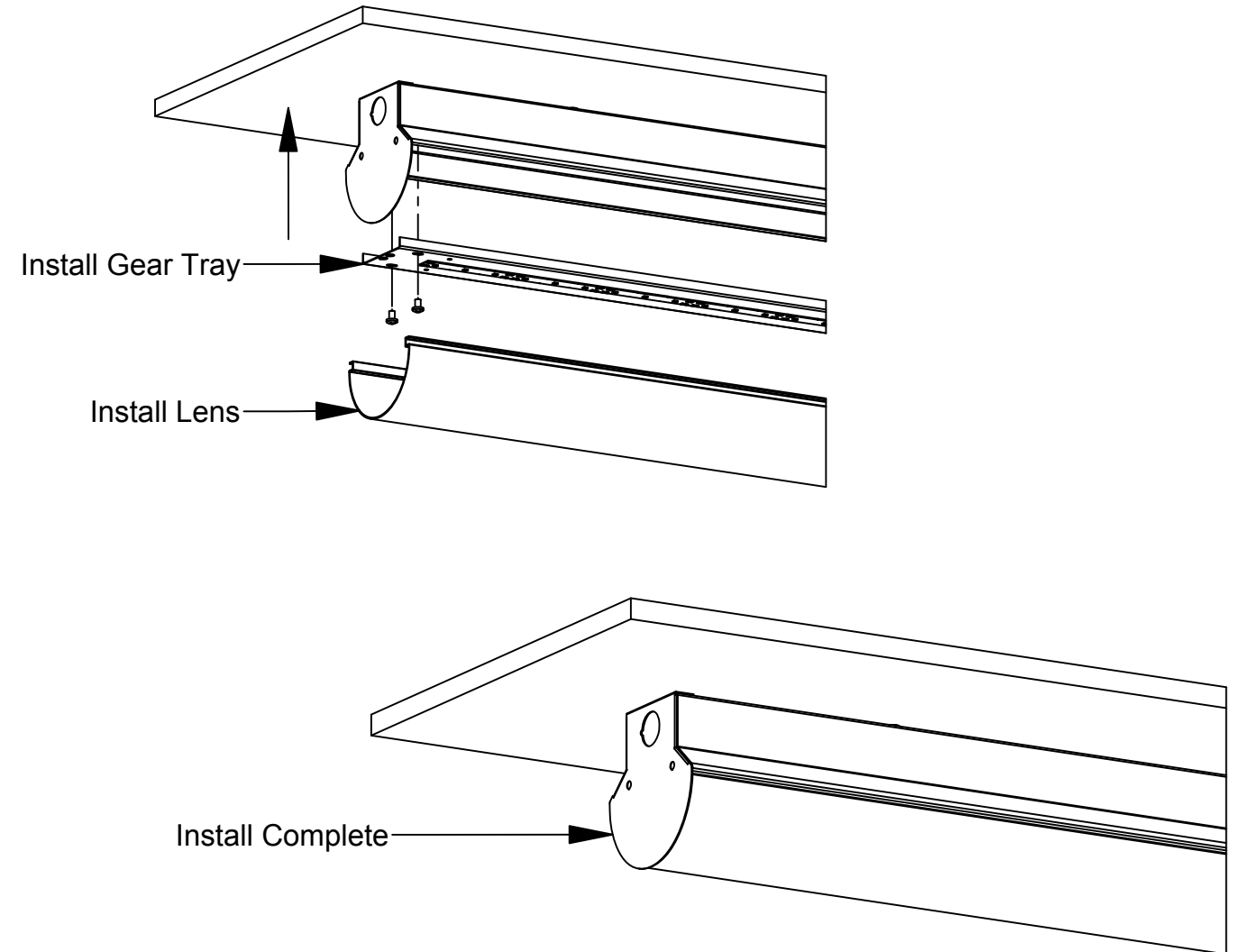
Texas Fluorescents Reinvented

### A. Mount The Body



- Press the fixture firmly to the ceiling.
- Secure the body to the mounting surface using anchored mounting screws (by others).

### B. Replace Components

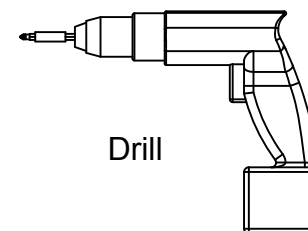


- Install the gear tray back in to the fixture as shown above.
- Reinstall the lens by lining up with the fixture and gently press, causing the lens to snap in.
- Install is now complete.

### Items Used In This Step



Mounting Screw W/ Anchor  
(By Others)



Drill