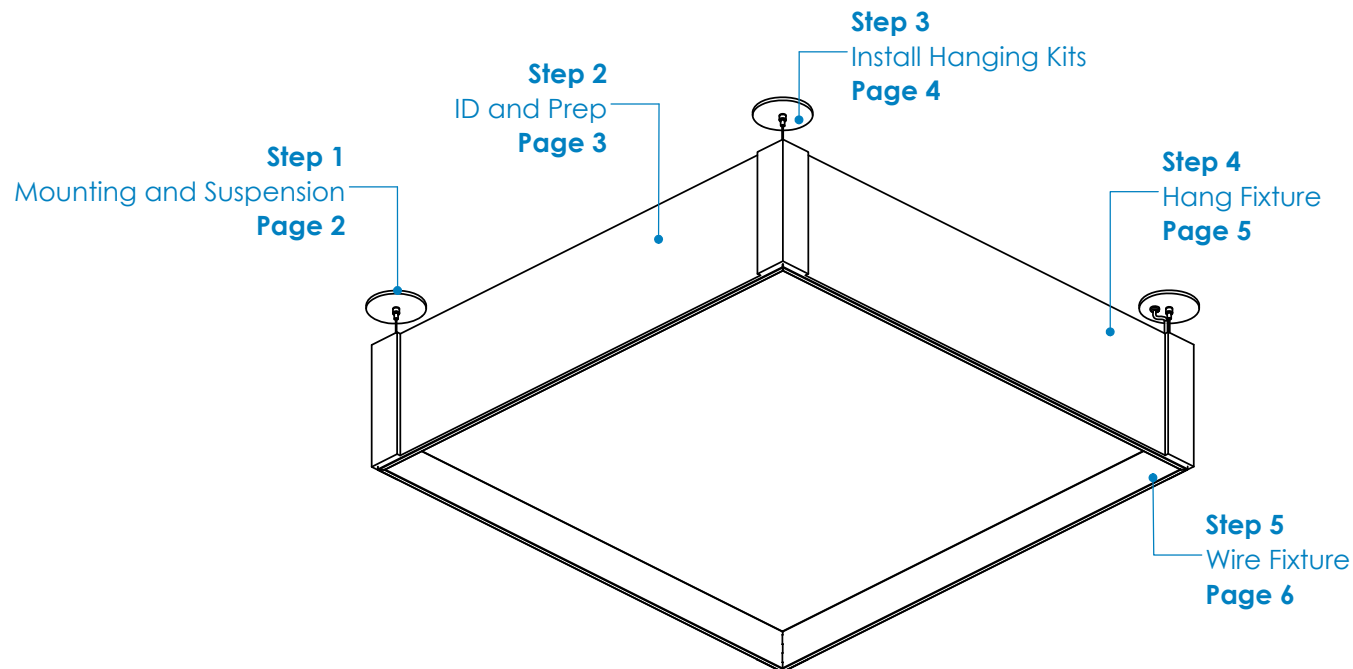


SBX-48X48-Pendant Installation Instructions

Overview

WARNINGS

- This product must be installed in accordance with all applicable codes by a person familiar with the product.
- Each fixture must be properly supported during install.
- **DO NOT** join fixtures on the floor prior to lifting, or damage will occur.
- **Before beginning installation**, review our complete list of warnings by visiting www.saylite.com/warnings.



Your particular build may vary.

2020© Saylite | 2055 Luna Road, Suite 142 Carrollton, Texas 75006 | www.saylite.com

SBX-48X48-Pendant Installation Instructions

Step 1 - Mounting and Suspension

Mounting

Drywall or other hard surfaces* - HC301 Hanging Kit

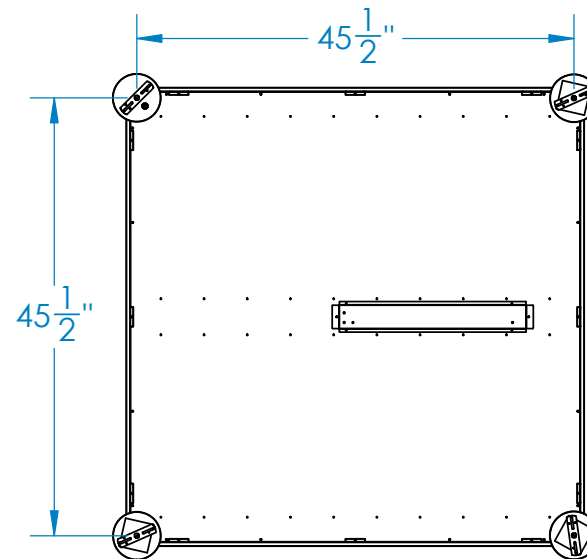
- Install hanging kits at suspension locations.
- Ensure hanging kits are secure.
- Prepare fixture for mounting.

*Other hard surfaces include: wood, sheet metal panels, steel beams, concrete or masonry. Use hardware appropriate for each surface and material type.

Suspension Locations

X = Suspension Dimensions

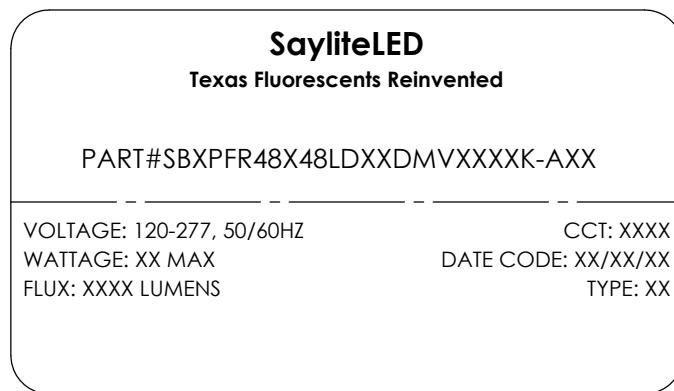
Refer to Assembly Drawings and building plans to determine exact mounting, suspension points, and power feed locations.



SBX-48X48-Pendant Installation Instructions

Step 2 - Identification and Preparation

A. Identify Fixtures



- Use labels found on the box and inside the fixture bodies to identify bodies.
- **NOTE:** Locations of labels can vary.
- Remove all fixtures from their boxes.
- Organize fixtures based on their labels at the install location.

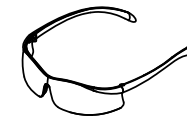
B. Tools Needed



Screwdriver



Pliers



Safety Glasses

- Always use proper safety equipment when installing fixtures.
- Tools shown are recommended for standard install. Tools needed may vary based on actual install location conditions.

Kitted Hardware

- Saylite has provided the items listed here, with their Saylite part numbers listed. These items can be found in separate boxes shipped with the fixture.
- Ensure all parts are accounted for and set them aside until needed.
- Any additional hardware needed for this installation will be provided by others.

SBX-48X48-Pendant Installation Instructions

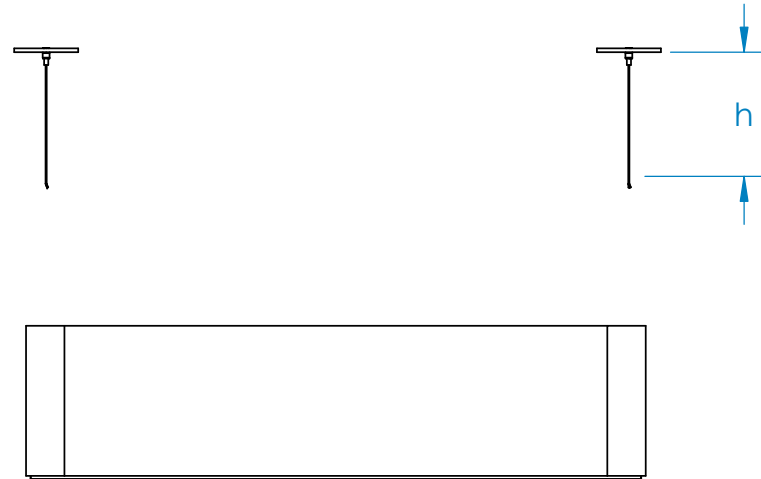
Step 3 - Install Hanging Kits

A. Install Hanging Cables



- Install the hanging kits at the desired mounting locations.
- Ensure the hanging kits are securely mounted.
- Refer to hanging kit installation guide for more details.

B. Adjust Cables

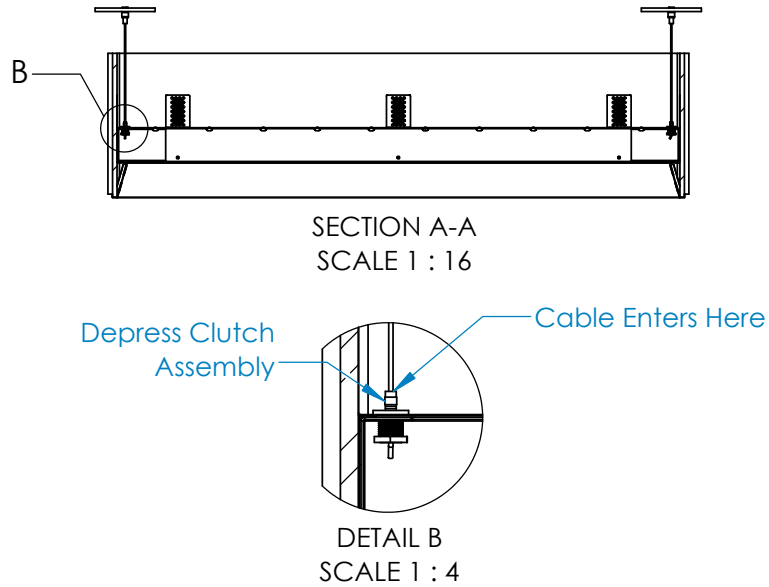


- Adjust the hanging cables to desired length. Ensure that adequate space is available to attach the fixture to the threaded ends of the hanging kits.
- Cables can be readjusted after the next step has been completed.

SBX-48X48-Pendant Installation Instructions

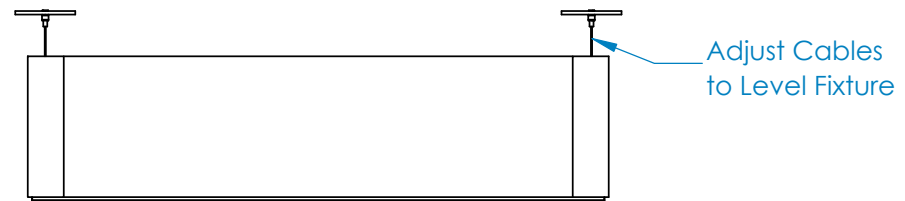
Step 4 - Hang the Fixture

A. Mount to Hanging Cable



- Mount the fixture to the hanging cables.
- Insert the hanging cable to the pre-installed cable clutch assemblies in each corner of the fixture.
- Depress the cable clutch and thread the cable into the assembly.

B. Level the Fixture

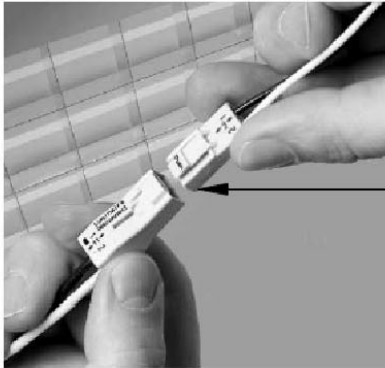


- Once the fixture has been hung, adjust the cables to level the fixture if needed.

SBX-48X48-Pendant Installation Instructions

Step 5 - Power the Fixture

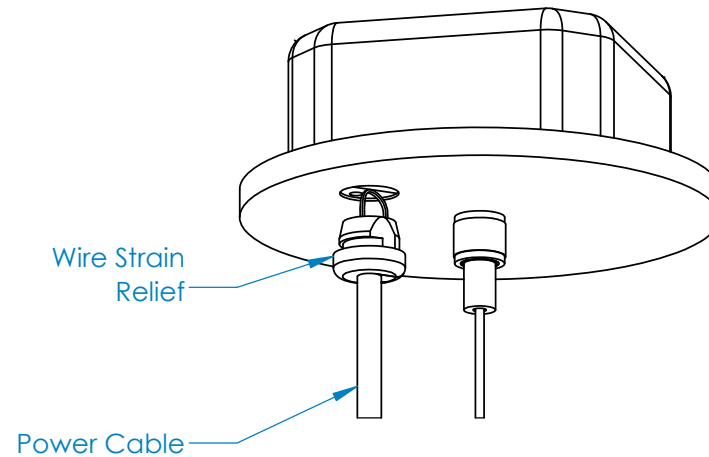
A. Wire the Fixture



| WIRING LEGEND | | |
|---------------|---------|--------------|
| BLACK | HOT | Line Voltage |
| WHITE | NEUTRAL | Line Voltage |
| GREEN | GROUND | |
| GRAY | DIMMING | 0-10V DC |
| VIOLET | DIMMING | 0-10V DC |

- Wire fixture to incoming power supply according to all local, state, and national codes. Use UL approved connectors only. Utilize wiring legend shown above.

B. Secure Fixture Wiring



- Insert the power cable into the wire strain relief, and push the wire strain relief into the canopy until it clicks into place.
- Fixture installation is now complete.