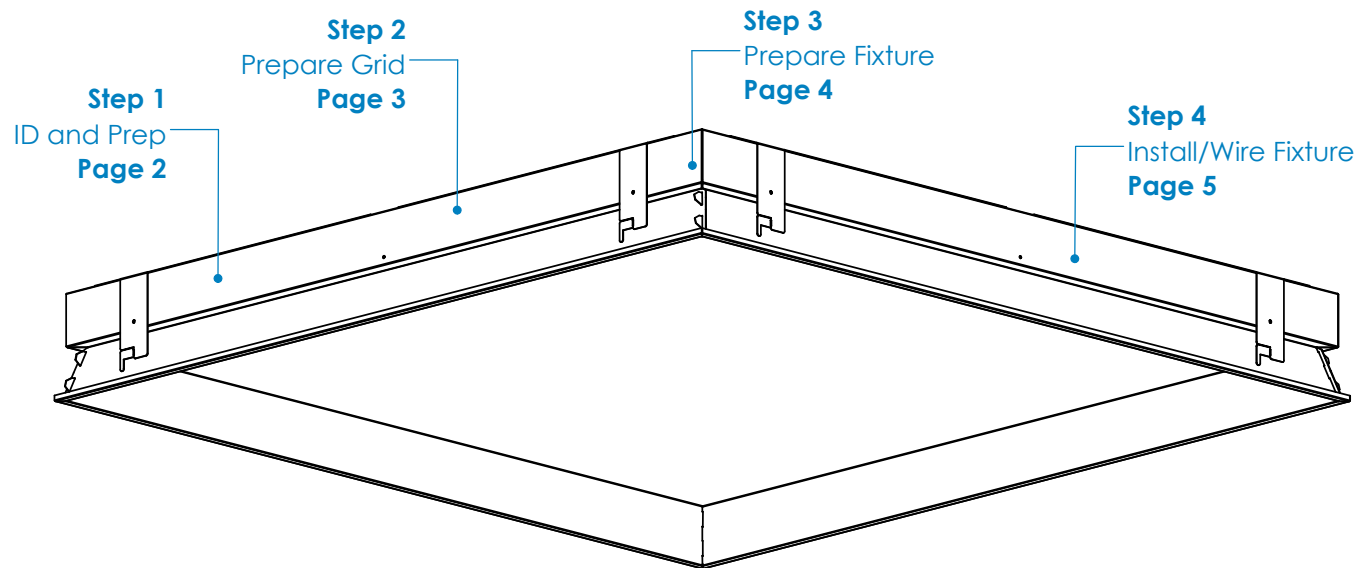


# SBX-48X48-Grid Installation Instructions

## Overview

### WARNINGS

- This product must be installed in accordance with all applicable codes by a person familiar with the product.
- Each fixture must be **properly supported** during install.
- **DO NOT** join fixtures on the floor prior to lifting, or damage will occur.
- **Before beginning installation**, review our complete list of warnings by visiting [www.saylite.com/warnings](http://www.saylite.com/warnings).



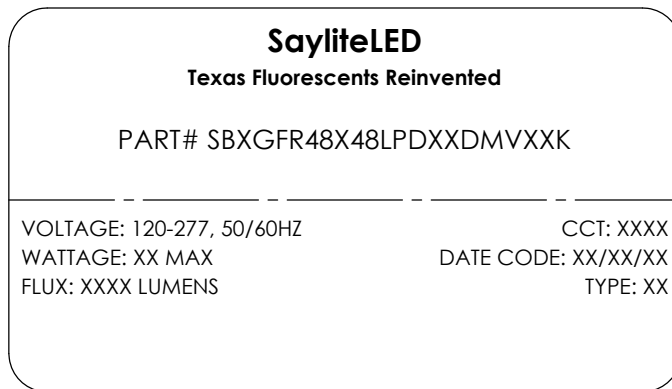
Your particular build may vary.

2020© Saylite | 2055 Luna Road, Suite 142 Carrollton, Texas 75006 | [www.saylite.com](http://www.saylite.com)

# SBX-48X48-Grid Installation Instructions

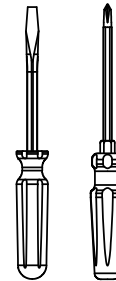
## Step 1 - Identification and Preparation

### A. Identify Fixtures

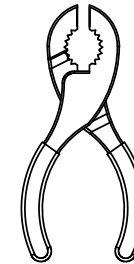


- Use labels found on the box and inside the fixture bodies to identify bodies.
- **NOTE:** Locations of labels can vary.
- Remove all fixtures from their boxes.
- Organize fixtures based on their labels at the install location.

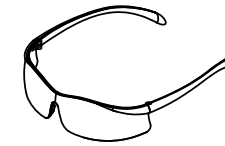
### B. Tools Needed



Screwdrivers



Pliers



Safety Glasses

- Always use proper safety equipment when installing fixtures.
- Tools shown are recommended for standard install. Tools needed may vary based on actual install location conditions.

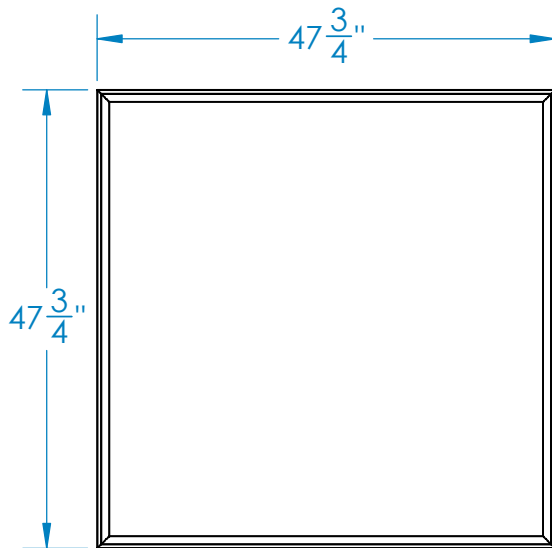
### Kitted Hardware

- Saylite has provided the items listed here, with their Saylite part numbers listed. These items can be found in separate boxes shipped with the fixture.
- Ensure all parts are accounted for and set them aside until needed.
- Any additional hardware needed for this installation will be provided by others.

## SBX-48X48-Grid Installation Instructions

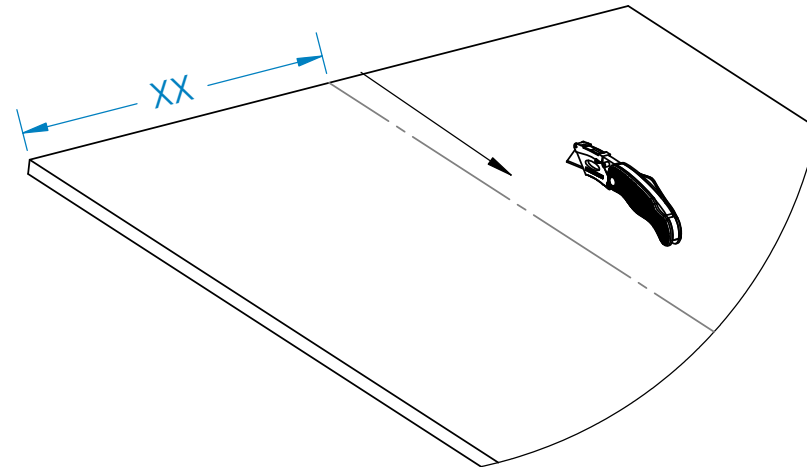
### Step 2 - Prepare the Grid

#### A. Transfer Measurements



- Note the length and width of the fixture.
- Transfer the dimensions to the hanging grid and set the grid rails to the proper width.

#### B. Make Cut Out

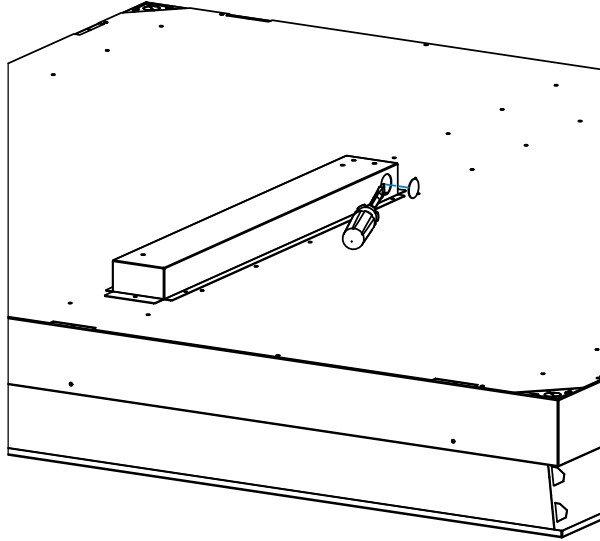


- Optional: Cut ceiling tiles to fit custom fixture spaced grids.

## SBX-48X48-Grid Installation Instructions

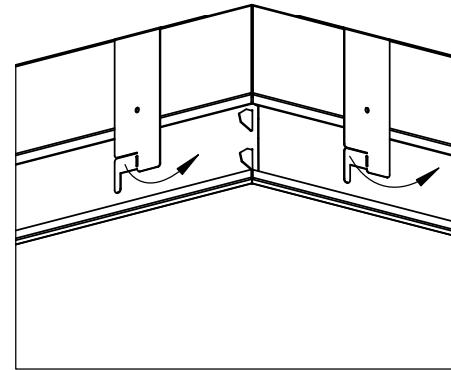
### Step 3 - Prepare the Fixture

#### A. Remove Knockouts



- Using a flat head screwdriver, gently pry off the knockout on the driver cover box on the back of the fixture.

#### B. Open Hurricane Clips

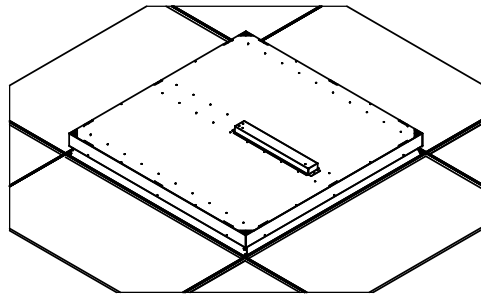
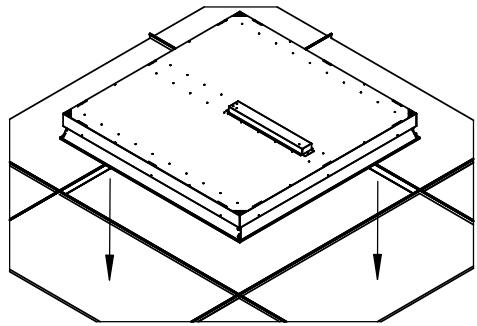


- Open the hurricane clips to 90° to prepare the fixture for mounting on the grid.

# SBX-48X48-Grid Installation Instructions

## Step 4 - Install and Wire Fixture

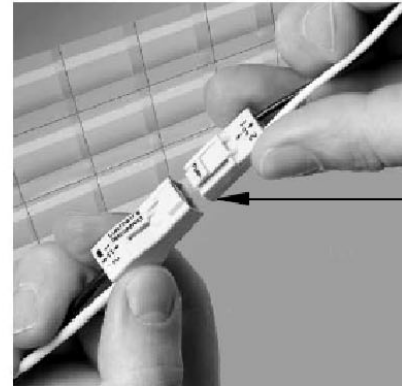
### A. Install to Grid



Installed

- Install the fixture to the grid, ensuring all hurricane clips are over the grid.

### B. Wire the Fixture



| WIRING LEGEND |         |              |
|---------------|---------|--------------|
| BLACK         | HOT     | Line Voltage |
| WHITE         | NEUTRAL | Line Voltage |
| GREEN         | GROUND  |              |
| GRAY          | DIMMING | 0-10V DC     |
| VIOLET        | DIMMING | 0-10V DC     |

- Wire the fixture to the incoming power supply using the provided quick disconnect clip as shown.
- For dimming option, refer to wiring legend above.
- Use UL approved connectors only. Follow all local, state and national codes.
- Fixture installation is now complete.