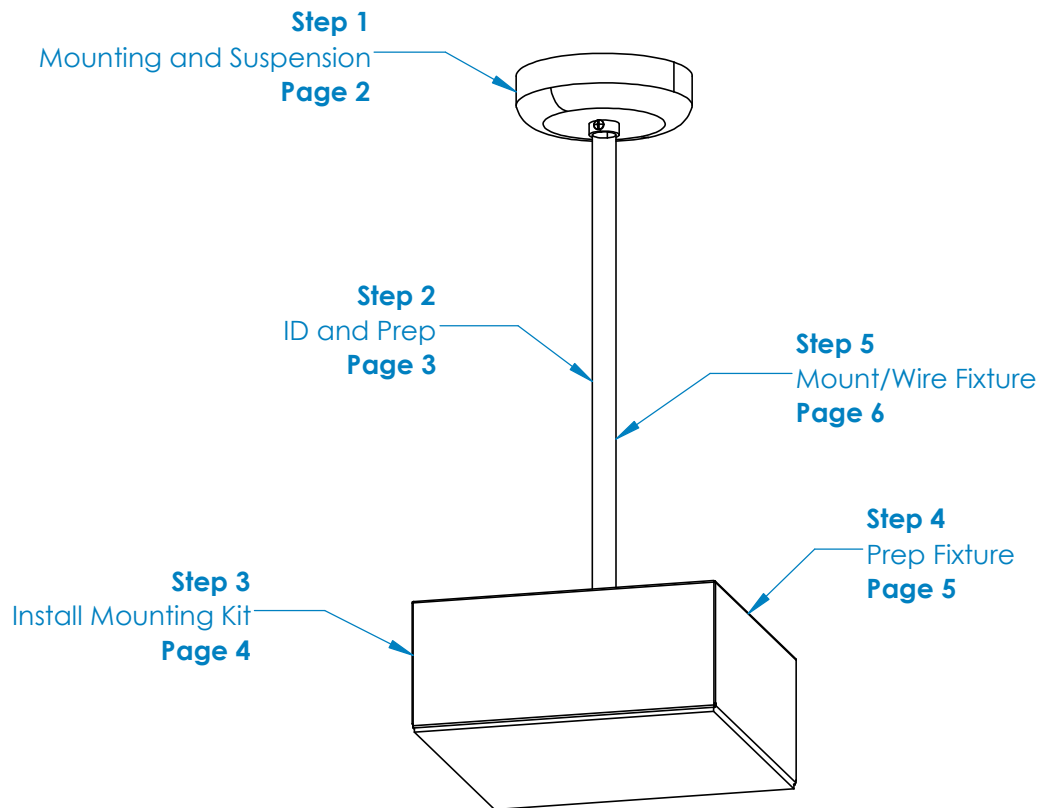


SBC-Stem Mount Installation Instructions

Overview

WARNINGS

- This product must be installed in accordance with all applicable codes by a person familiar with the product.
- Each fixture must be **properly supported** during install.
- **DO NOT** join fixtures on the floor prior to lifting, or damage will occur.
- **Before beginning installation**, review our complete list of warnings by visiting www.saylite.com/warnings.



Your particular build may vary.

2020© Saylite | 2055 Luna Road, Suite 142, Carrollton, TX 75006 | www.saylite.com

SBC-STEM Mount Installation Instructions

Step 1 - Mounting and Suspension

Mounting

Drywall or other hard surfaces - Anchored Stem Kit

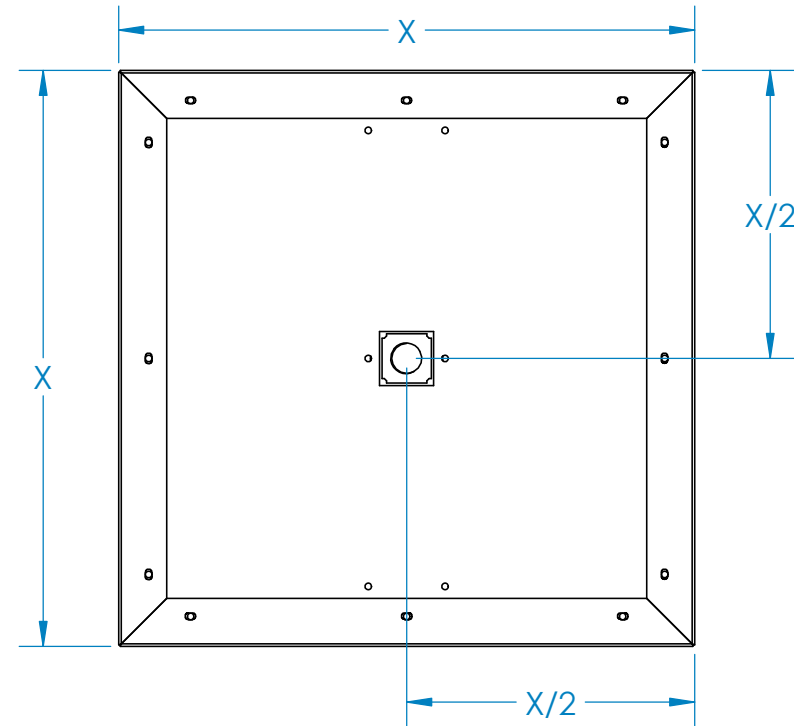
- Install stem kit at mounting location.
- Ensure stem is secure.
- Prepare fixture for mounting.

Other hard surfaces include: wood, sheet metal panels, steel beams, concrete or masonry. Use hardware appropriate for each surface and material type.

Suspension Locations

X = Suspension Dimensions

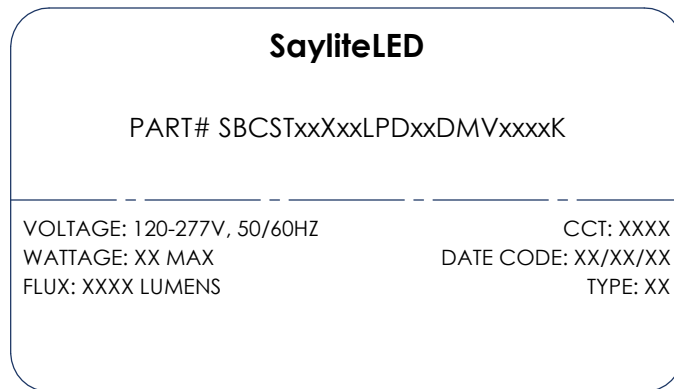
Refer to Assembly Drawings and building plans to determine exact mounting, suspension points, and power feed locations.



SBC- Stem Mount Installation Instructions

Step 2 - Identification and Preparation

A. Identify Fixtures

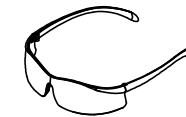


- Use labels found on the box and inside the fixture bodies to identify bodies.
- **NOTE:** Locations of labels can vary.
- Remove all fixtures from their boxes.
- Organize fixtures based on their labels at the install location.

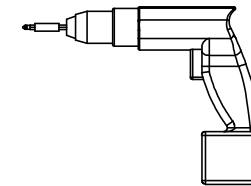
B. Tools Needed



Screwdriver



Safety Glasses



Drill

- Always use proper safety equipment when installing fixtures.
- Tools shown are recommended for standard install. Tools needed may vary based on actual install location conditions.

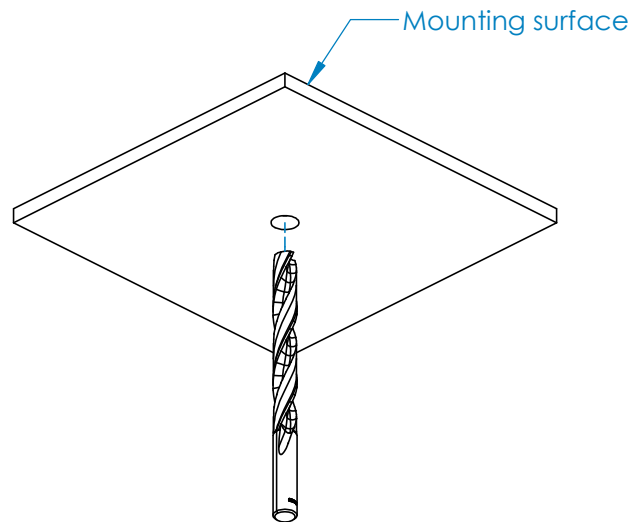
Kitted Hardware

- Saylite has provided the items listed here, with their Saylite part numbers listed. These items can be found in separate boxes shipped with the fixture.
- Ensure all parts are accounted for and set them aside until needed.
- Any additional hardware needed for this installation will be provided by others.

SBC-**Stem** Installation Instructions

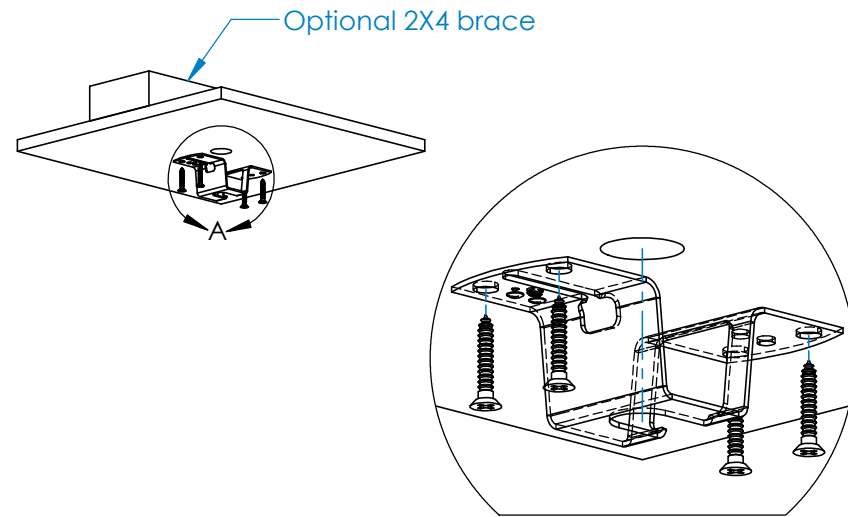
Step 3 - Install Mounting Kit

A. Drill Hole



- Using a 7/8" drill bit, drill a hole at the desired mounting location to allow wiring to pass thru.

B. Secure Mount Bracket



DETAIL A
SCALE 1 : 2

- Secure the mount bracket to the mounting surface using 4 screws (not provided).
- Ensure bracket is aligned with drilled hole and use screws appropriate for mounting surface.
- If needed, place a 2X4 behind the mounting surface as a brace and use lag screws (not provided) to secure the mount bracket.

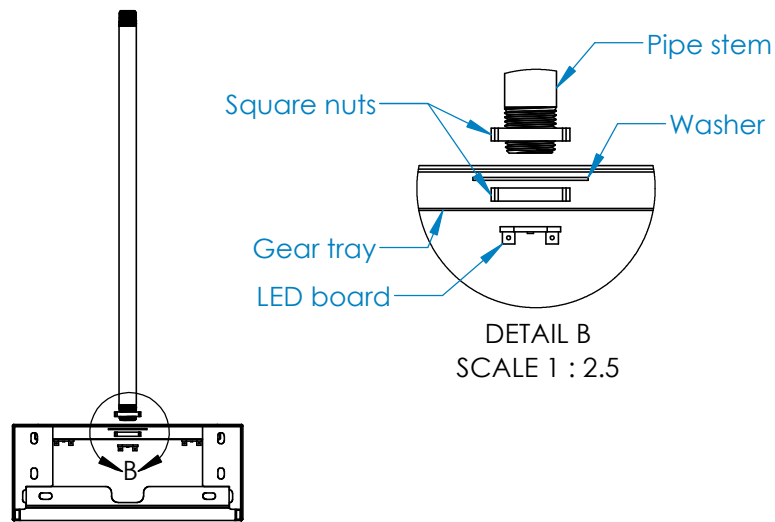
SBC- Stem Mount Installation Instructions

Step 4 - Prepare Fixture for Mounting



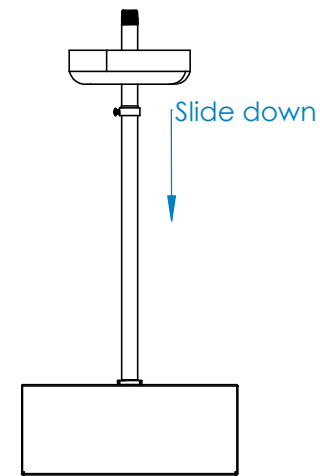
Texas Fluorescents Reinvented

A. Install Stem to Fixture



- Screw one of the provided square nuts onto the stem as far as it can go.
- Insert the stem to the stem mount hole on the back of the fixture, and secure with washer and another square nut as shown in Detail B.
- For 9x9 fixtures, remove the center LED board to access stem mount hole.
- Pull wiring thru pipe stem and pull out of top of stem.
- Replace center LED board when wiring is pulled thru stem.

B. Insert Remaining Components



- Slip the canopy and canopy collar over the top of the stem and slide them both down at least 6".

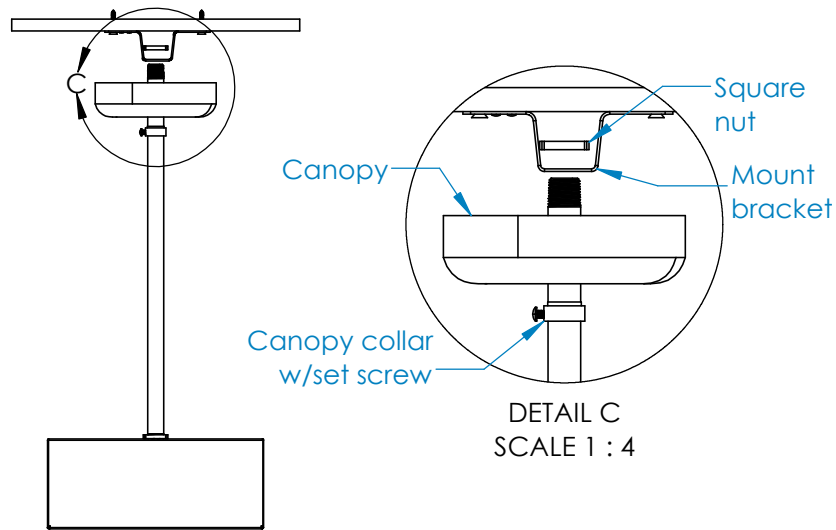
SBC- Stem Mount Installation Instructions

Step 5 - Mount and Wire Fixture



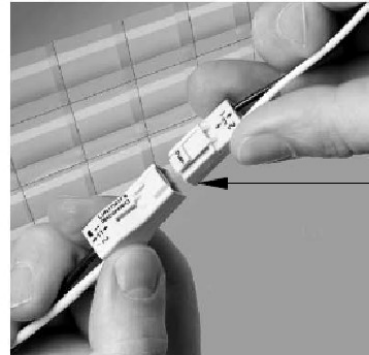
Texas Fluorescents Reinvented

A. Mount the Fixture



- Insert the top of the pipe stem into the slot of the mount bracket. Use the provided square nut to secure the pipe stem to the mount bracket.
- Pull the wiring thru the hole in the ceiling and into the junction box above. Connect fixture wiring (Sub-step B).
- After wiring is connected, Slide the canopy and canopy collar up until they stop. Secure the canopy by tightening the set screw on the canopy collar shown in Detail C.

B. Connect Fixture Wiring



WIRING LEGEND		
BLACK	HOT	Line Voltage
WHITE	NEUTRAL	Line Voltage
GREEN	GROUND	
GRAY	DIMMING	0-10V DC
VIOLET	DIMMING	0-10V DC

- Wire the fixture to the incoming power supply using the provided connector as shown. For dimming option, refer to wiring legend above.
- Use UL approved connectors only. Follow all local, state and national codes.