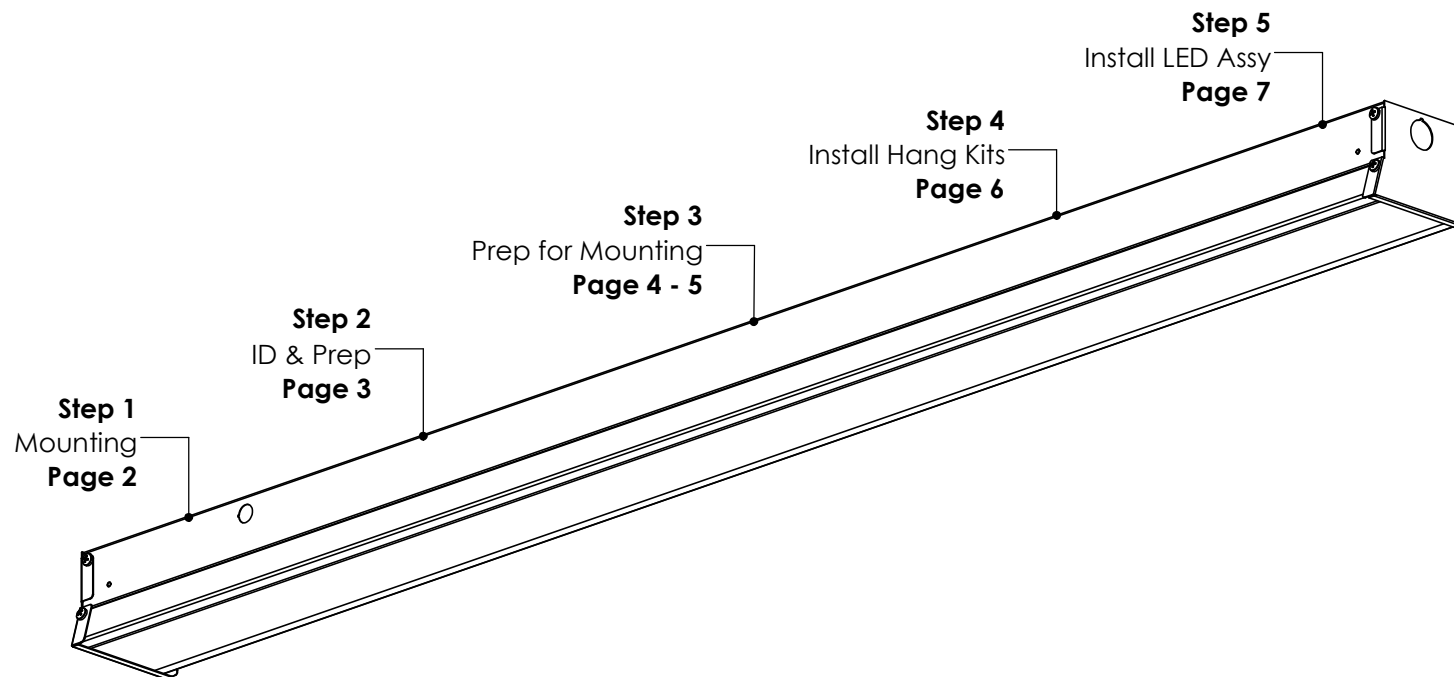


SAR-Pendant Installation Instructions

Overview

WARNINGS

- This product must be installed in accordance with all applicable codes by a person familiar with the product.
- Each fixture must be **properly supported** during install.
- **DO NOT** join fixtures on the floor prior to lifting, or damage will occur.
- **Before beginning installation**, review our complete list of warnings by visiting www.saylite.com/warnings.



Your particular build may vary.

2022© Saylite | 2055 Luna Road, Suite 142, Carrollton, TX 75006 | www.saylite.com

SAR-Pendant Installation Instructions

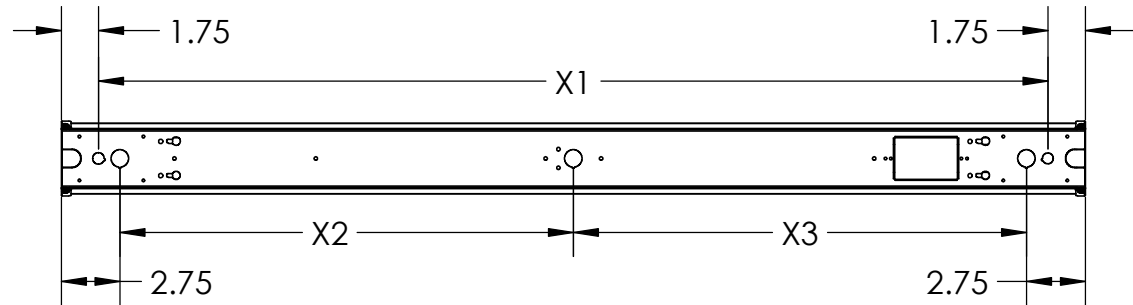
Step 1 - Mounting and Suspension

Mounting

Drywall or other hard surfaces - HC301 Hanging Kit*

- Install hanging kits at mounting location(s).
- Ensure hanging kits are secure.
- Prepare fixture for mounting.

Other hard surfaces include: wood, sheet metal panels, steel beams, concrete or masonry. Use hardware appropriate for each surface and material type.



Suspension Locations

X = Mounting Dimensions

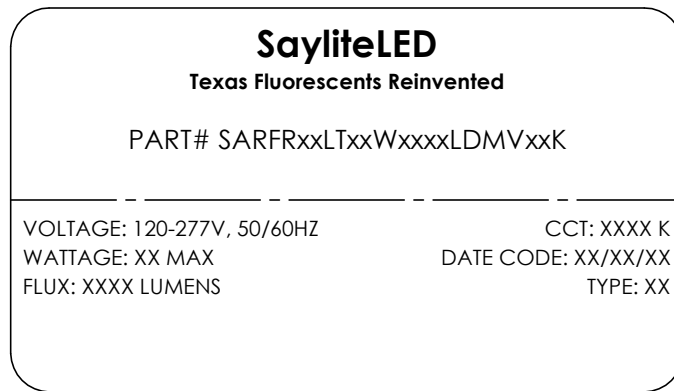
Refer to Assembly Drawings and building plans to determine exact mounting, suspension points, and power feed locations.

SIZE	X1	X2	X3
24L	20.74"	18.64"	N/A
48L	44.50"	21.25"	21.25"
72L	68.50"	33.25"	33.25"
96L	92.50"	45.25"	45.25"

SAR-Pendant Installation Instructions

Step 2 - Identification & Preparation

A. Identify Fixtures

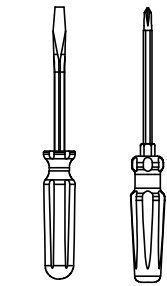


- Use labels found on the box and inside the fixture bodies to identify bodies.
- **NOTE:** Locations of labels can vary.
- Remove all fixtures from their boxes.
- Organize fixtures based on their labels at the install location.

Kitted Hardware

- Saylite has provided the items listed here, with their Saylite part numbers listed. These items can be found in separate boxes shipped with the fixture.
- Ensure all parts are accounted for and set them aside until needed.
- Any additional hardware needed for this installation will be provided by others.

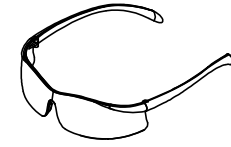
B. Tools Needed



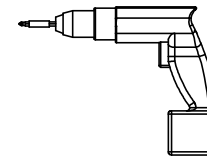
Screwdrivers



Pliers



Safety Glasses



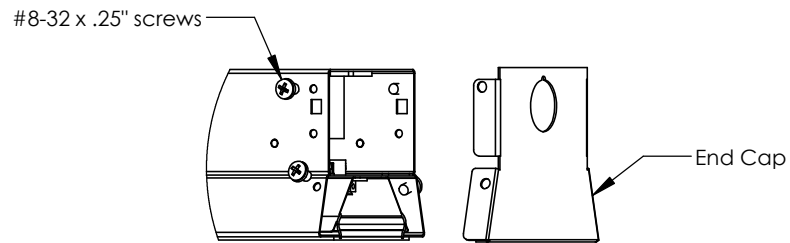
Drill

- Always use proper safety equipment when installing fixtures.
- Tools shown are recommended for standard install. Tools needed may vary based on actual install location conditions.

SAR-Pendant Installation Instructions

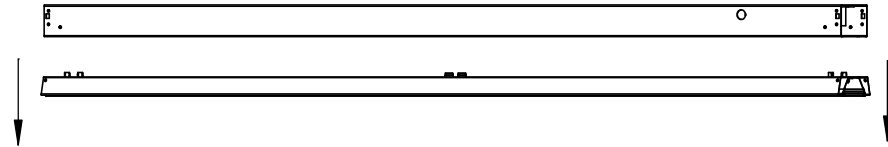
Step 3 - Prepare the Fixture for Mounting

A. Remove End Caps



- Using a Philips screwdriver, remove (4) #8-32 x .25" screws from each end of the fixture as shown above.
- Remove the end caps and set aside.

B. Remove LED Assembly

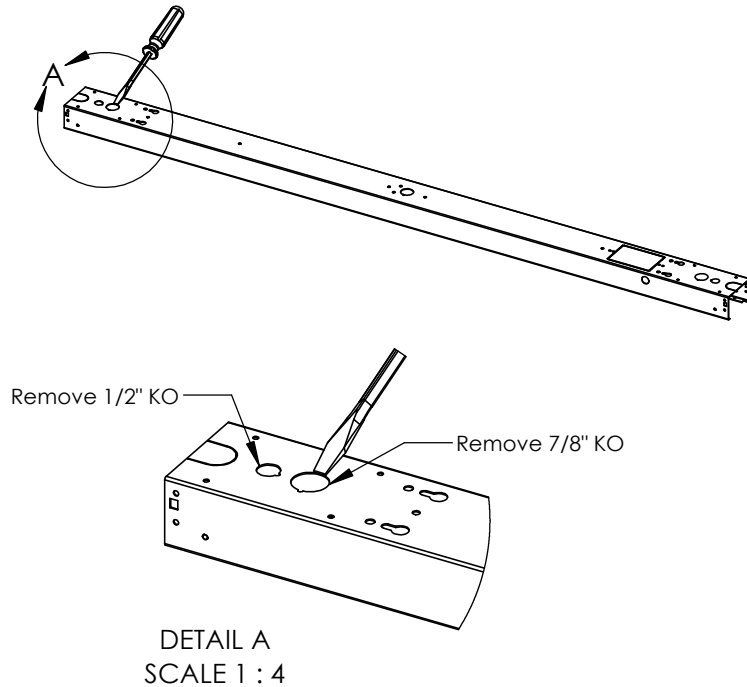


- The LED assembly will be released once the screws are removed.
- Set the LED assembly aside in a safe location.

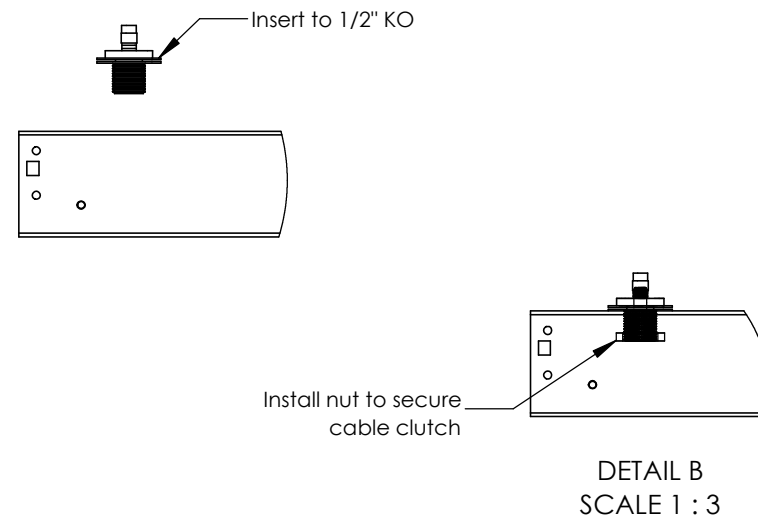
SAR-Pendant Installation Instructions

Step 3 - Prepare the Fixture for Mounting (Cont'd)

A. Remove Knockouts



B. Install Cable Clutch Assemblies



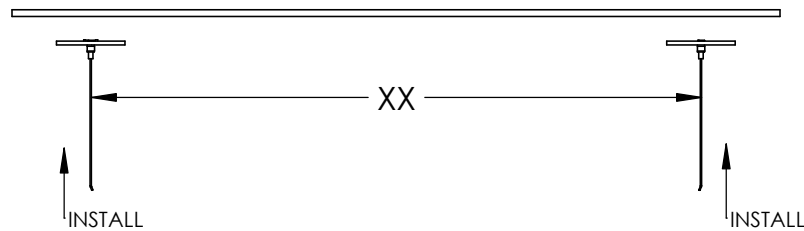
- Using a flat head screwdriver, remove both 1/2" knockouts from the ends of the fixture.
- Remove one 7/8" knockout from the fixture at desired location.

- Insert the cable clutch to the fixture pan at each 1/2" knockout location.
- Secure the cable clutch using the nut provided in the hanging kit. Tighten 1/4 turn to fully secure.

SAR-Pendant Installation Instructions

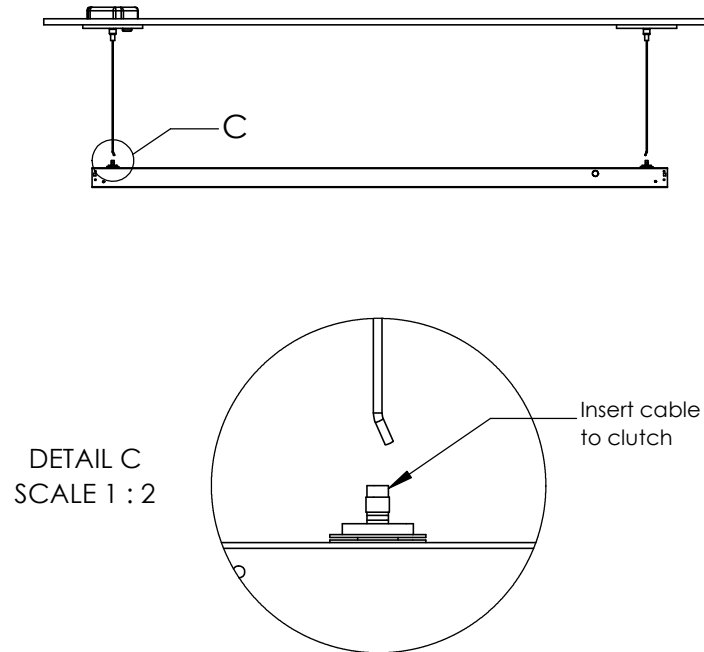
Step 4 - Install Hanging Kit and Mount Fixture Pan

A. Install Hanging Kits



- Install the provided hanging kits to the desired mounting surface at appropriate mounting locations.
- Ensure that hanging kits are properly secured.
- Refer to hanging kit installation guide for more information.

B. Install Cables to Clutch Assembly



- Insert hanging kit cable to pre-installed cable clutch assemblies.
- Depress the clutch and pull thru cable, snip excess cable as needed.

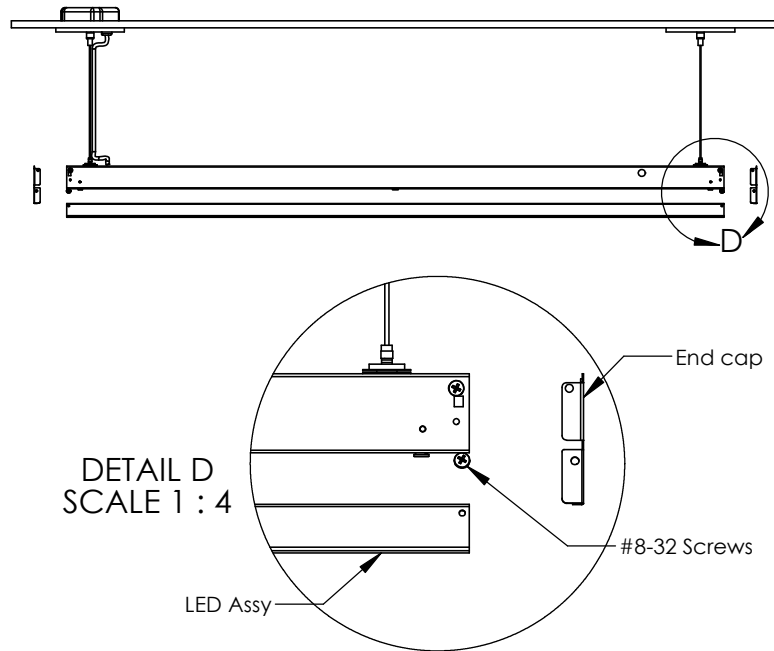
SAR-Pendant Installation Instructions

Step 5 - Install and Wire LED Assembly



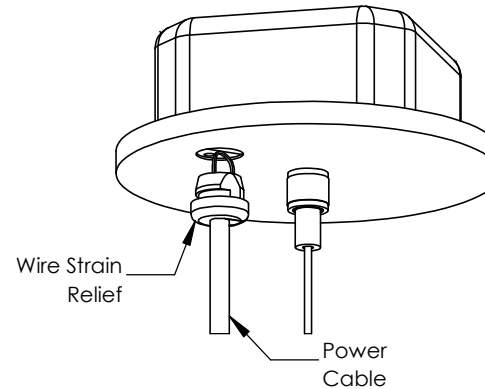
Texas Fluorescents Reinvented

A. Install LED Assembly



- Reinstall the LED assembly to the hanging fixture. Pull the fixture wiring up through the 7/8" knockout removed earlier.
- Use the #8-32 screws and end caps removed earlier to secure the LED assembly to the fixture. Tighten the screws 1/4 turn to fully secure the LED assembly.

B. Wire to Power Feed Supply



WIRING LEGEND		
BLACK	HOT	Line Voltage
WHITE	NEUTRAL	Line Voltage
GREEN	GROUND	
GRAY	DIMMING	0-10V DC
VIOLET	DIMMING	0-10V DC
BLUE	CIRCUIT 2	Line Voltage

- Wire fixtures to the incoming power supply using the provided quick disconnect clip. For dimming option, refer to wiring legend above.
- Use UL approved connectors only. Follow all local, state and national codes.
- Insert the power cable into the wire strain relief, and push the wire strain relief into the canopy until it clicks into place.