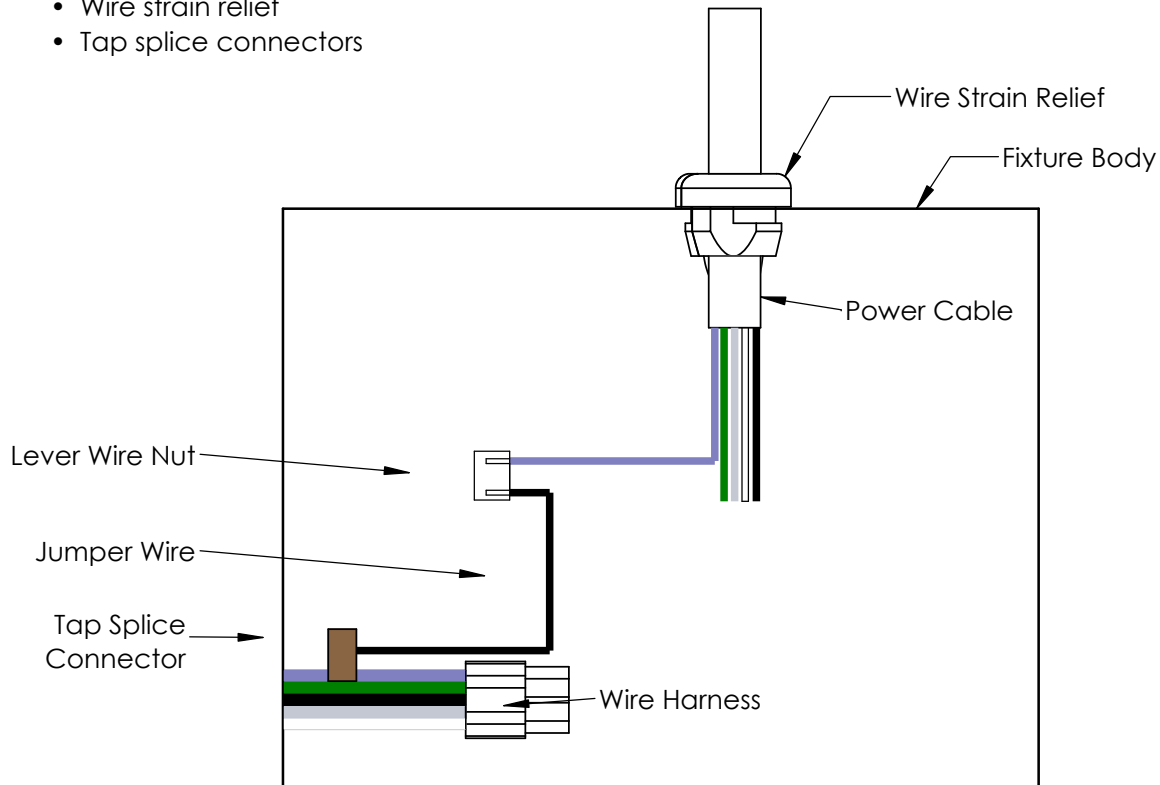


SAR-Pendant Cont. Run Addendum Power Cable Installation and Wiring

This addendum applies to the SAR-Pendant Cont. Run Installation Instructions and provides guidance on installing the 5 wire power cable to the beginner fixture.

Provided Items:

- Pre-wired power cable
- Wire strain relief
- Tap splice connectors



WIRING LEGEND		
BLACK	HOT	Line Voltage
WHITE	NEUTRAL	Line Voltage
GREEN	GROUND	
GRAY	DIMMING	0-10V DC
VIOLET	DIMMING	0-10V DC



Sample Lever Wire Nut



Sample Tap Splice Connector

- Uninstall lens and gear tray components per SAR-Pendant Cont. Run Installation Instructions step 2 (page 4).
- Connect the pre-wired power cable to the wire harness inside the beginner fixture.
- Use provided tap splice connector to wire the appropriate jumper wire to the corresponding harness wire.
- Slide the wire strain relief assembly over the power cable and click into place on the fixture.
- Power cable installation is now complete.