

SAR-Pendant Cont. Run Installation Instructions

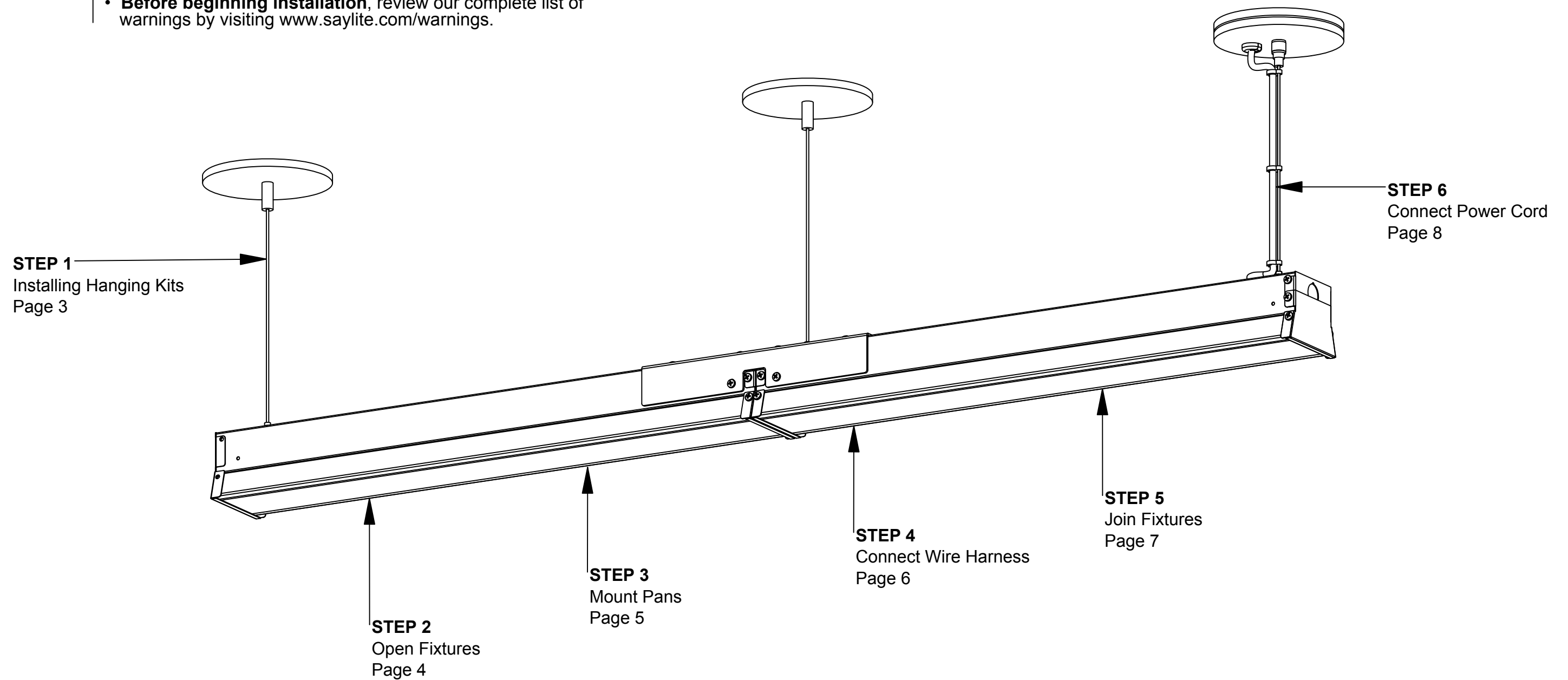
Overview

WARNINGS

- This product must be installed in accordance with all applicable codes by a person familiar with the product.
- Each luminaire must be **properly supported** during install.
- **DO NOT** join fixtures on the floor prior to lifting, or damage will occur.
- **Before beginning installation**, review our complete list of warnings by visiting www.saylite.com/warnings.



Texas Fluorescents Reinvented



We believe
in the power
of light.



Your particular build may vary.

2018© Saylite | 2055 Luna Road, Suite 142 Carrollton, Texas 75006 | www.saylite.com

1 of 8

Form BWE - SAR-Pendant Cont. Run, V2 12/18

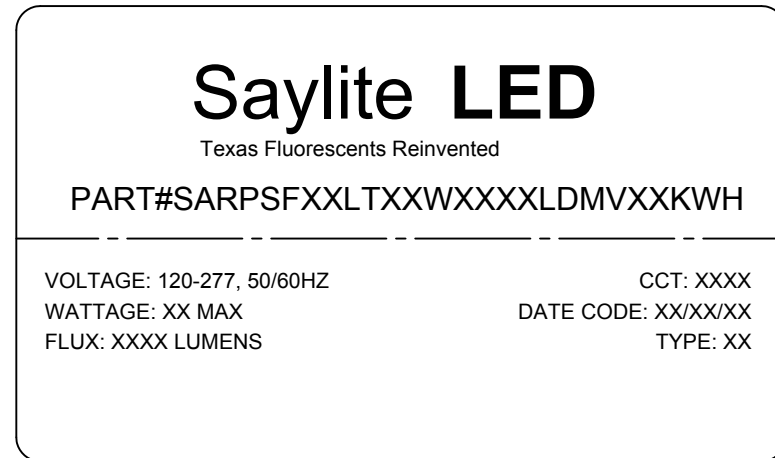
SAR-Pendant Cont. Run Installation Instructions

Preparation - Tools/Parts Identification



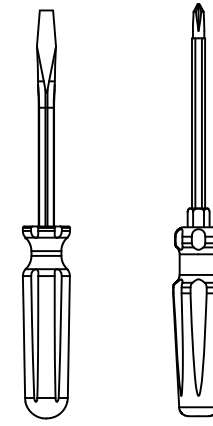
Texas Fluorescents Reinvented

A. Identify Fixtures

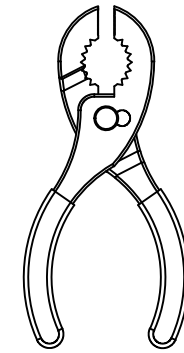


- Use labels found on the box and inside fixture bodies to identify bodies.
- **NOTE:** Locations of labels can vary.
- Remove all fixtures from their boxes.
- Organize fixtures based on their labels at the install location.

B. Tools Needed



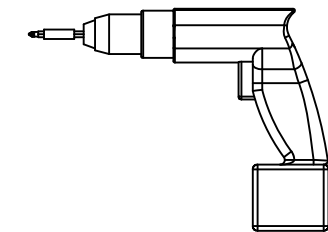
Screwdrivers



Pliers



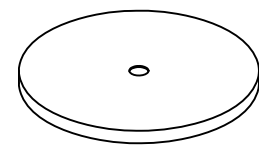
Safety Glasses



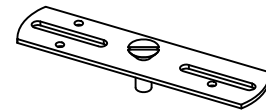
Drill

- Always use proper safety equipment when installing fixtures.
- Tools shown are recommended for standard install. Tools needed may vary based on actual install location conditions.

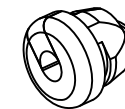
C. Identify Parts



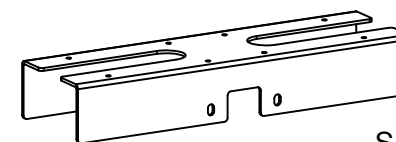
5" White Canopy - Non Power
PN: CBGCAN51W



Mounting Bar
PN: HMCGEMBARS1/8GN



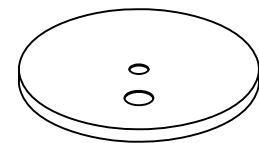
Wire Strain Relief
PN: HEYCO 1210



SAR Cont. Run Joiner
PN: SAR-CR-J



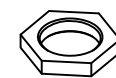
Pendant Cable
PN: PCBL3014FT



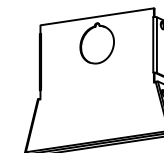
5" White Canopy - Power
PN: CBGCAN52W



Pendant Cable Clip
PN: PCC375



301-Pendant Nut
PN: 301PNUT1/2



SAR Beginning/Ending Cap
PN: SAR-B/E-END CAP



Pendant Power Cord
PN: PPC3014FT



Pendant Cable Cuff
PN: PCCUF301



Cable End
PN: CBLEND301

- Read entire install instructions before beginning installation.
- Unpack all components and arrange in order of install steps.
- For help with installation, please contact us at www.saylite.com or call us at (972) 247-3171.

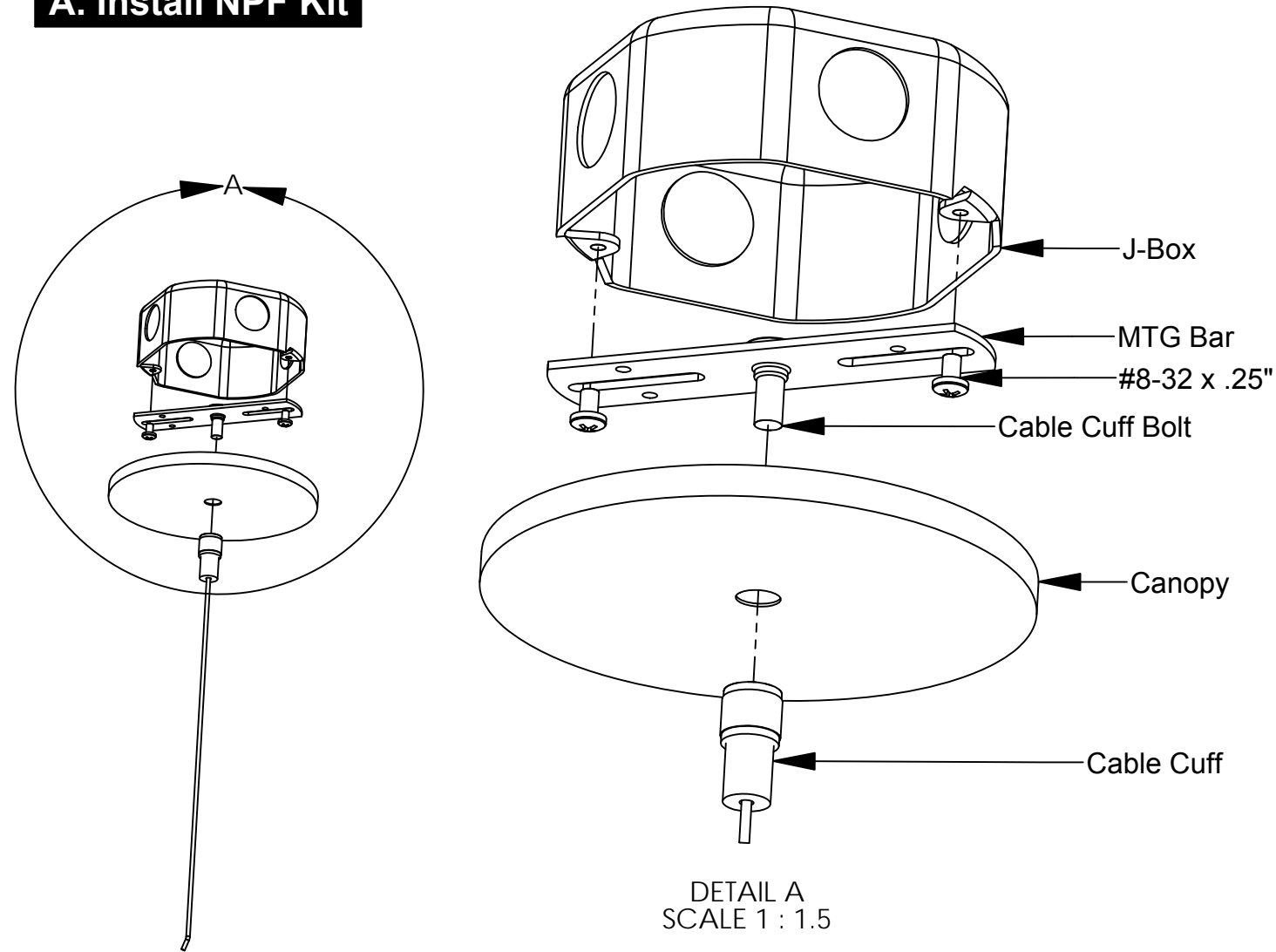
SAR-Pendant Cont. Run Installation Instructions

Step 1 - Installing Hanging Kits



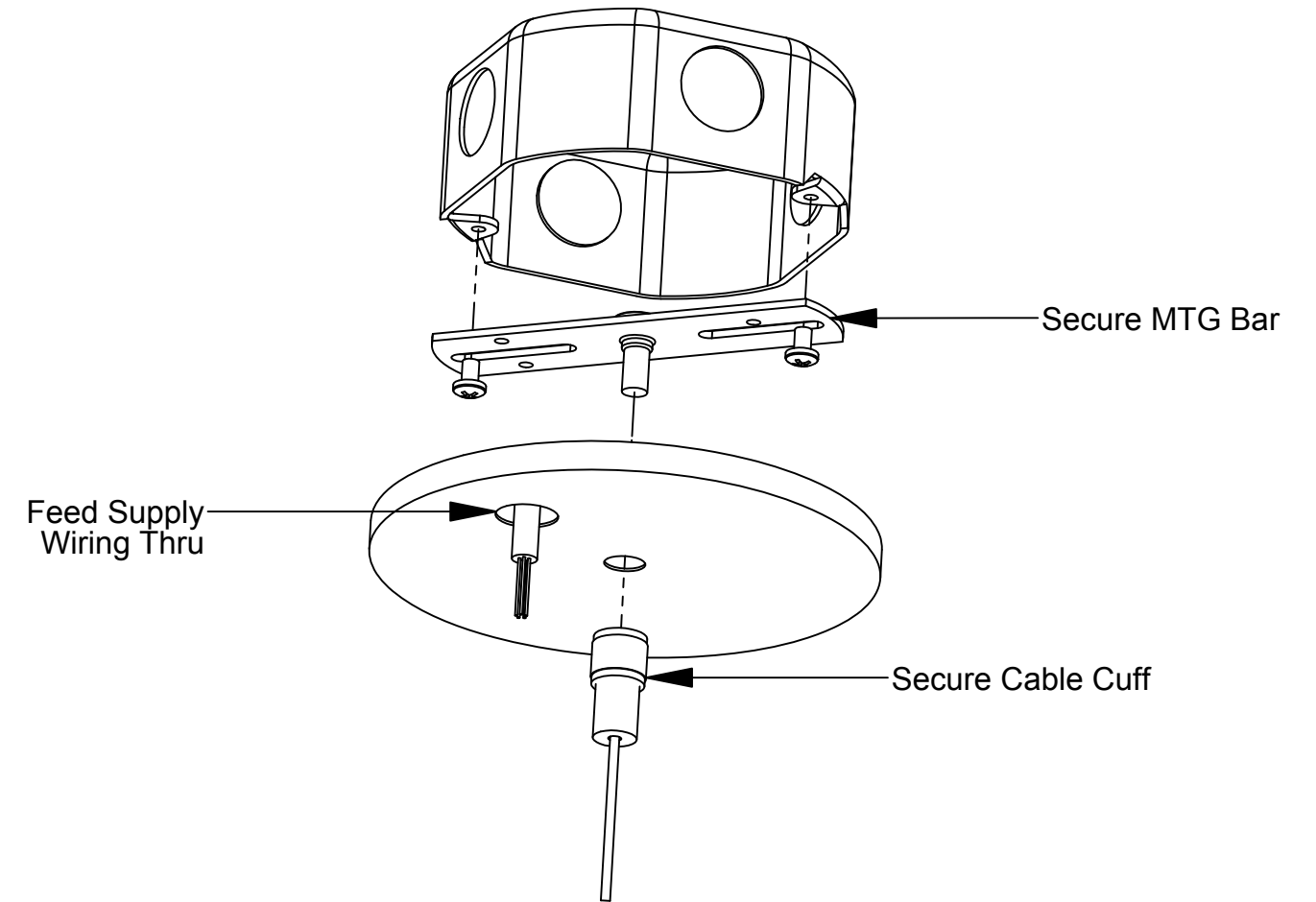
Texas Fluorescents Reinvented

A. Install NPF Kit

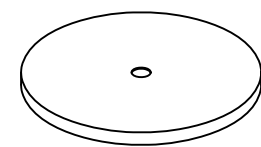


- Secure the mounting bar to the existing J-Box using the (2) #8-32 x .25" machine screws provided.
- Install the canopy over the cable cuff bolt with the outside edge facing upwards.
- Secure the cable cuff to the bolt, and tighten 1/4 turn with pliers.

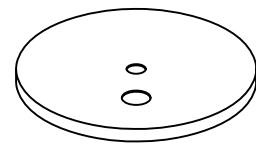
B. Install PF Kit



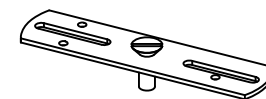
- Repeat the previous steps to install the mounting bar to the J-Box.
- Feed the supply wiring thru the canopy prior to install.
- Repeat the previous steps to install the cable cuff to the bolt.



5" White Canopy - Non Power
(Provided)



5" White Canopy - Power
(Provided)



Mounting Bar
(Provided)



Pendant Cable
(Provided)

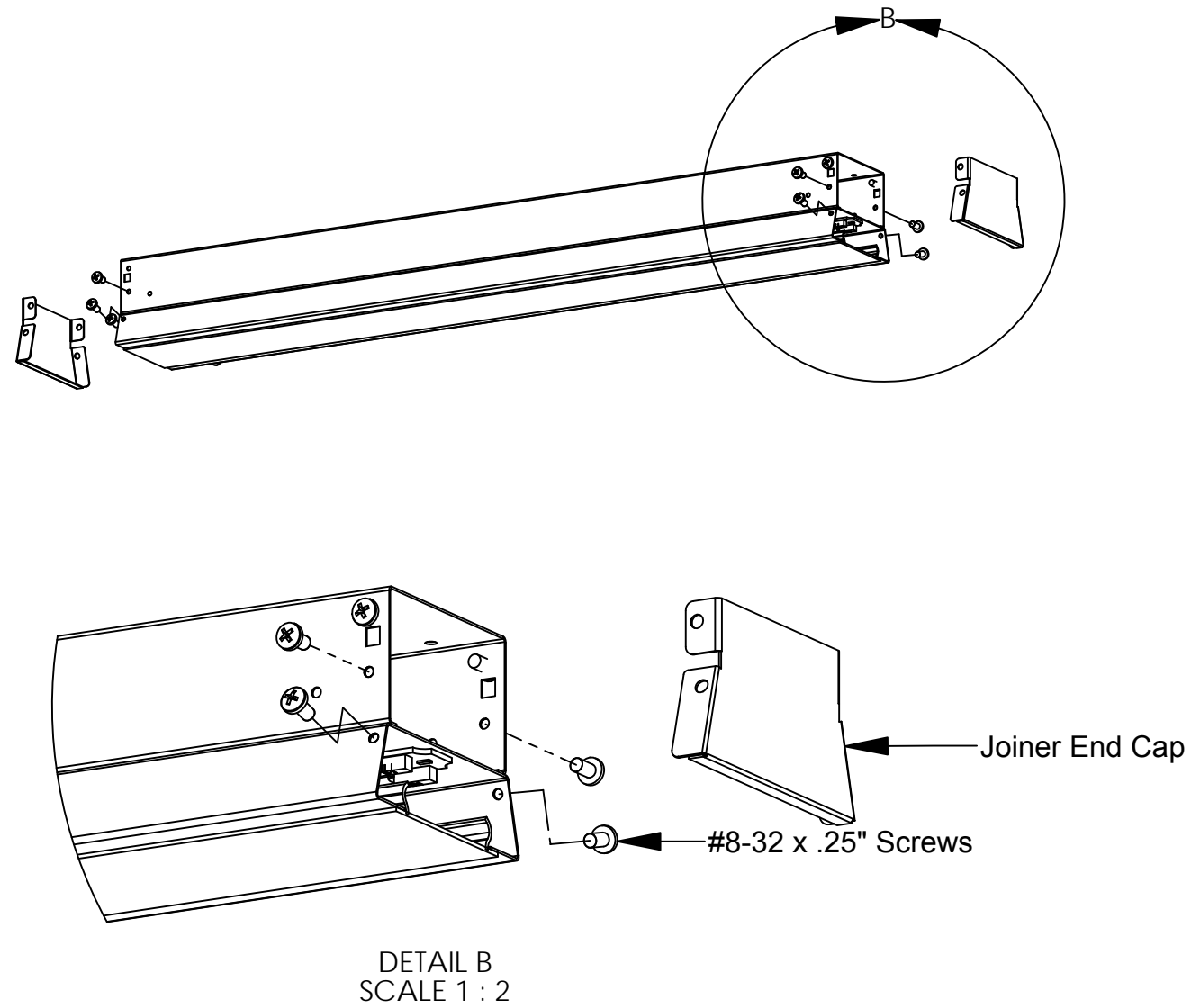
SAR-Pendant Cont. Run Installation Instructions

Step 2 - Open Fixtures



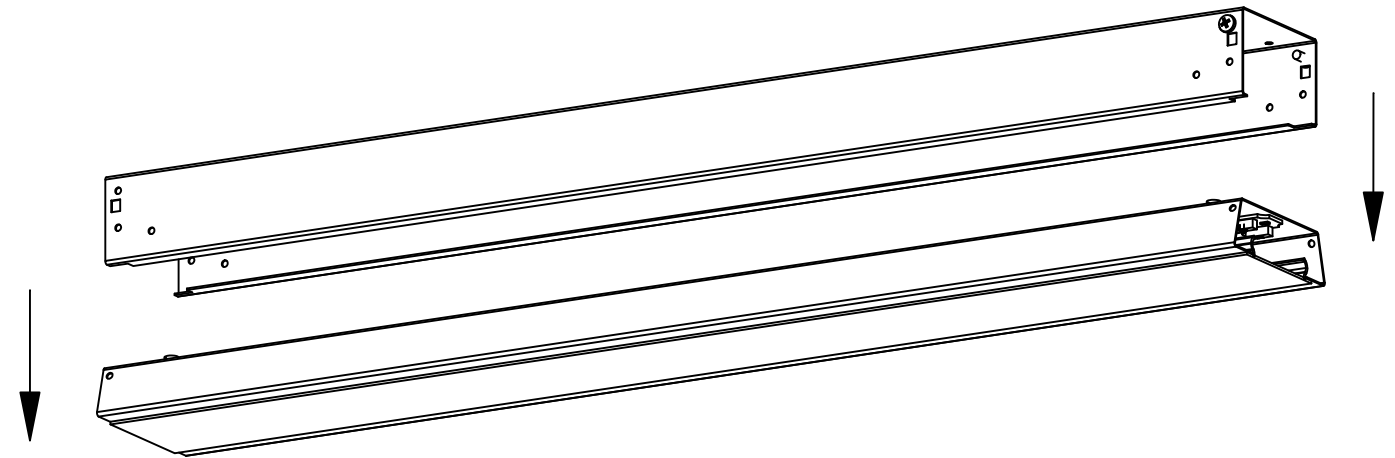
Texas Fluorescents Reinvented

A. Remove End Caps

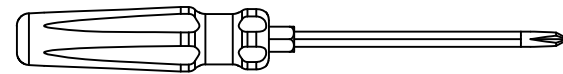


- Using a philips screwdriver, remove (4) #8-32 x .25" screws from each end of the fixture as shown.
- Remove the end caps and set aside.

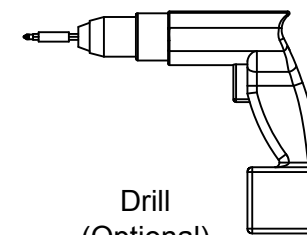
B. Remove LED Assy



- The LED assembly is released when the screws are removed.
- Set the LED assembly in a safe location.
- Repeat steps 2A and 2B for all fixtures in the run.



Philips Screwdriver



Drill
(Optional)

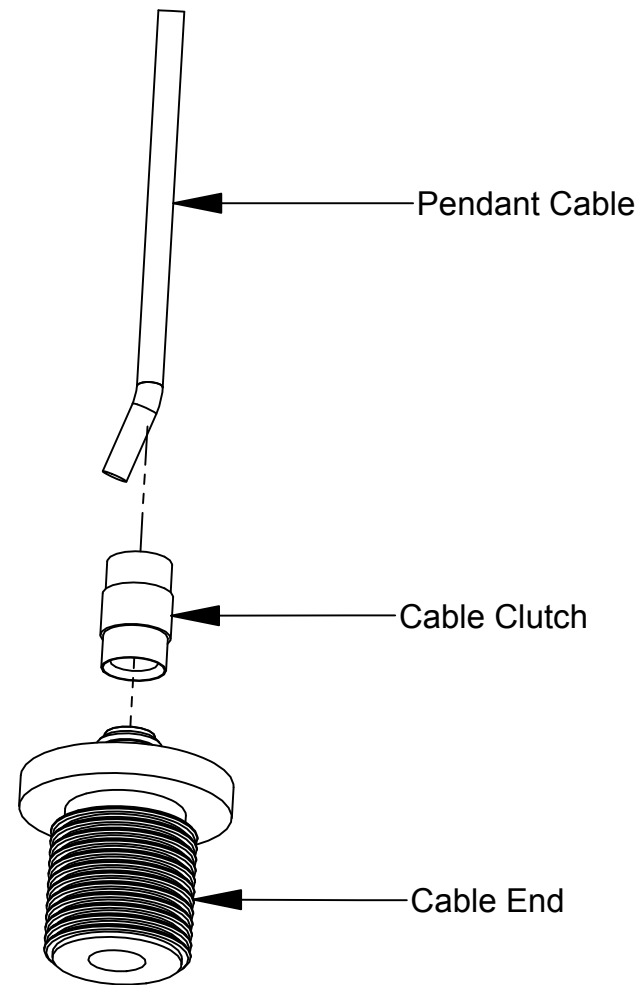
SAR-Pendant Cont. Run Installation Instructions

Step 3 - Mount Pans



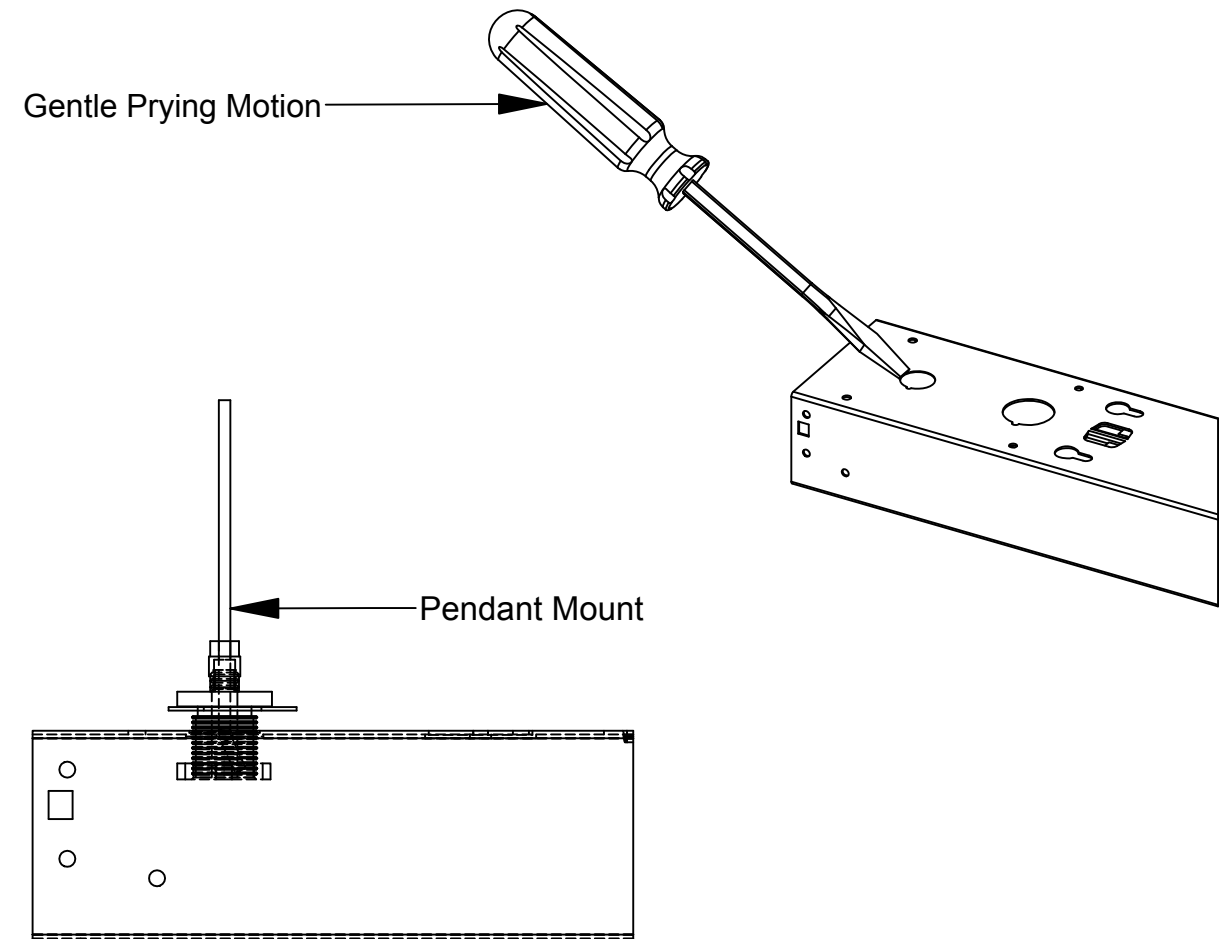
Texas Fluorescents Reinvented

A. Prepare Cable Assembly

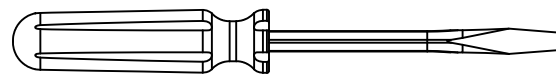


- Install the cable clutch to the pendant cable as show, then thread the cable end to the cable clutch.
- The cable assembly is now ready to receive the fixture.

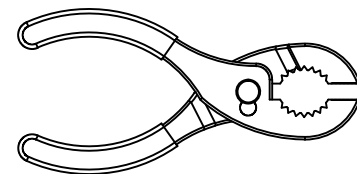
B. Secure The Pan



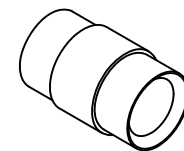
- Using a flat tipped screwdriver, remove the 1/2" knockouts from the ends of the fixture.
- Remove the 7/8" knockout from the fixture in the desired locations (not required on all fixtures).
- Insert the cable end in to the knock out. Secure the end using the provided 1/2" washer and nut.
- Repeat steps to secure the power end of the fixture to the other preinstalled hanging kit.
- Tighten the nut 1/4 turn with pliers. Verify both ends of the fixture are fully secure.



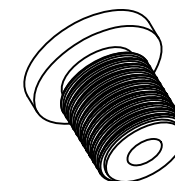
Flat Tip Screwdriver



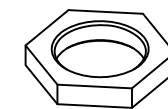
Pliers



Pendant Cable Cuff
(Provided)



Cable End
(Provided)

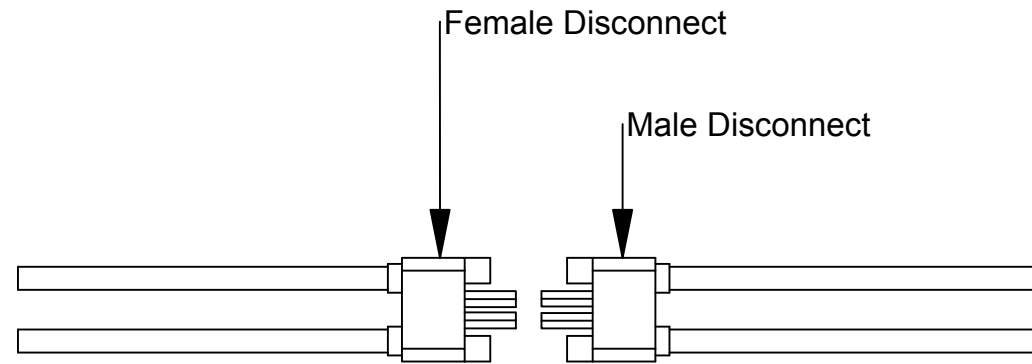


301-Pendant Nut
(Provided)

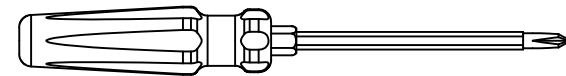
SAR-Pendant Cont. Run Installation Instructions

Step 4 - Connect Wire Harness

A. Piggyback Fixtures

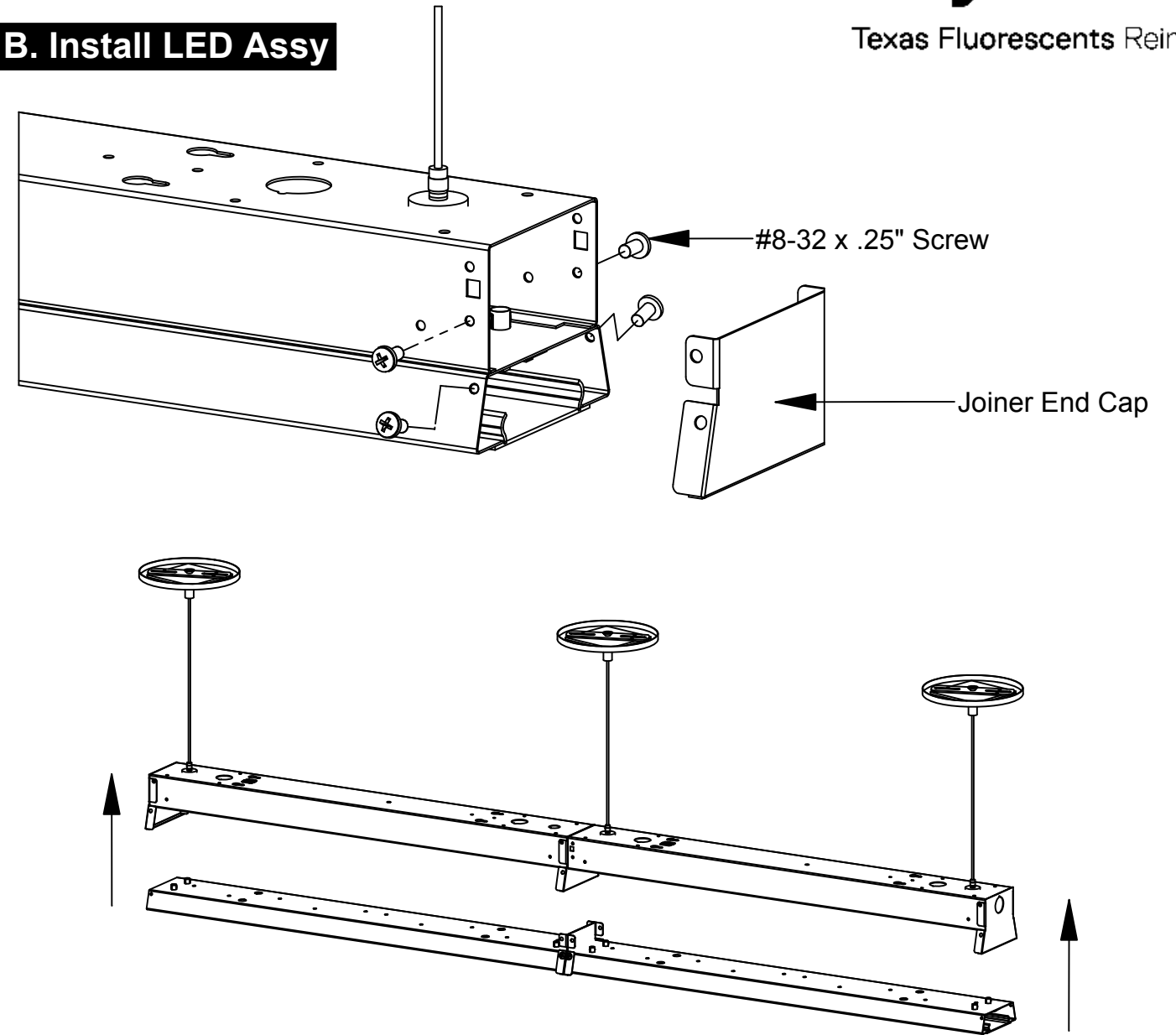


- Using the provided orange quick connects, piggyback fixtures in desired quantities.
- **Note:** Make sure quick connects are securely joined. Press together until a "click" is felt.

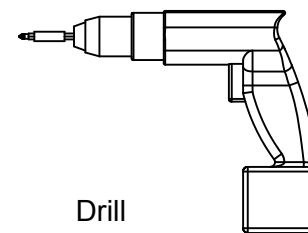


Philips Screwdriver

B. Install LED Assy



- For the joined sections, reinstall the joiner end caps removed in Step 2-A as shown above.
- Secure the end caps by reinstalling the previously removed (4) #8-32 x .25" screws.



Drill
(Optional)



Texas Fluorescents Reinvented

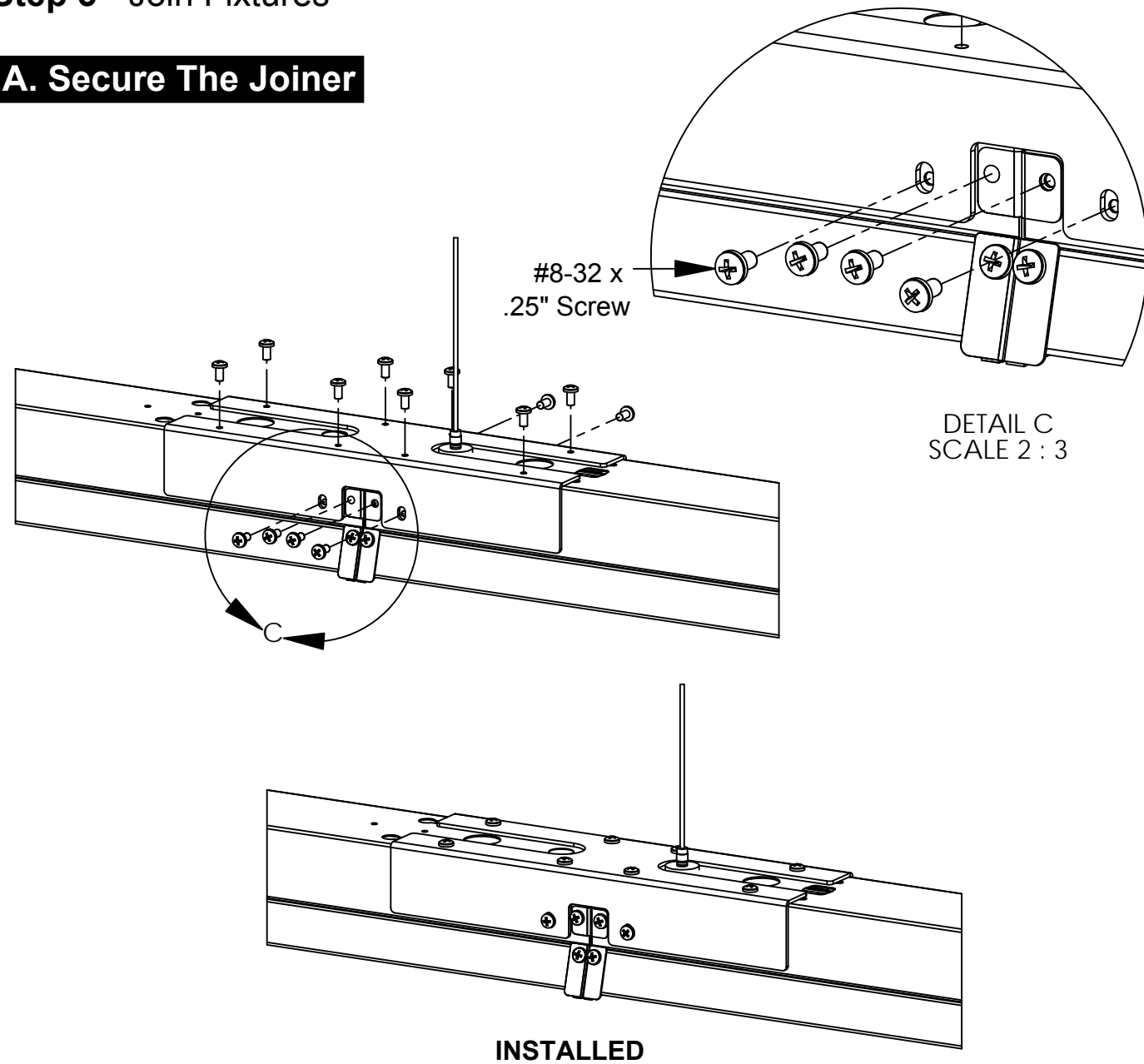
SAR-Pendant Cont. Run Installation Instructions

Step 5 - Join Fixtures



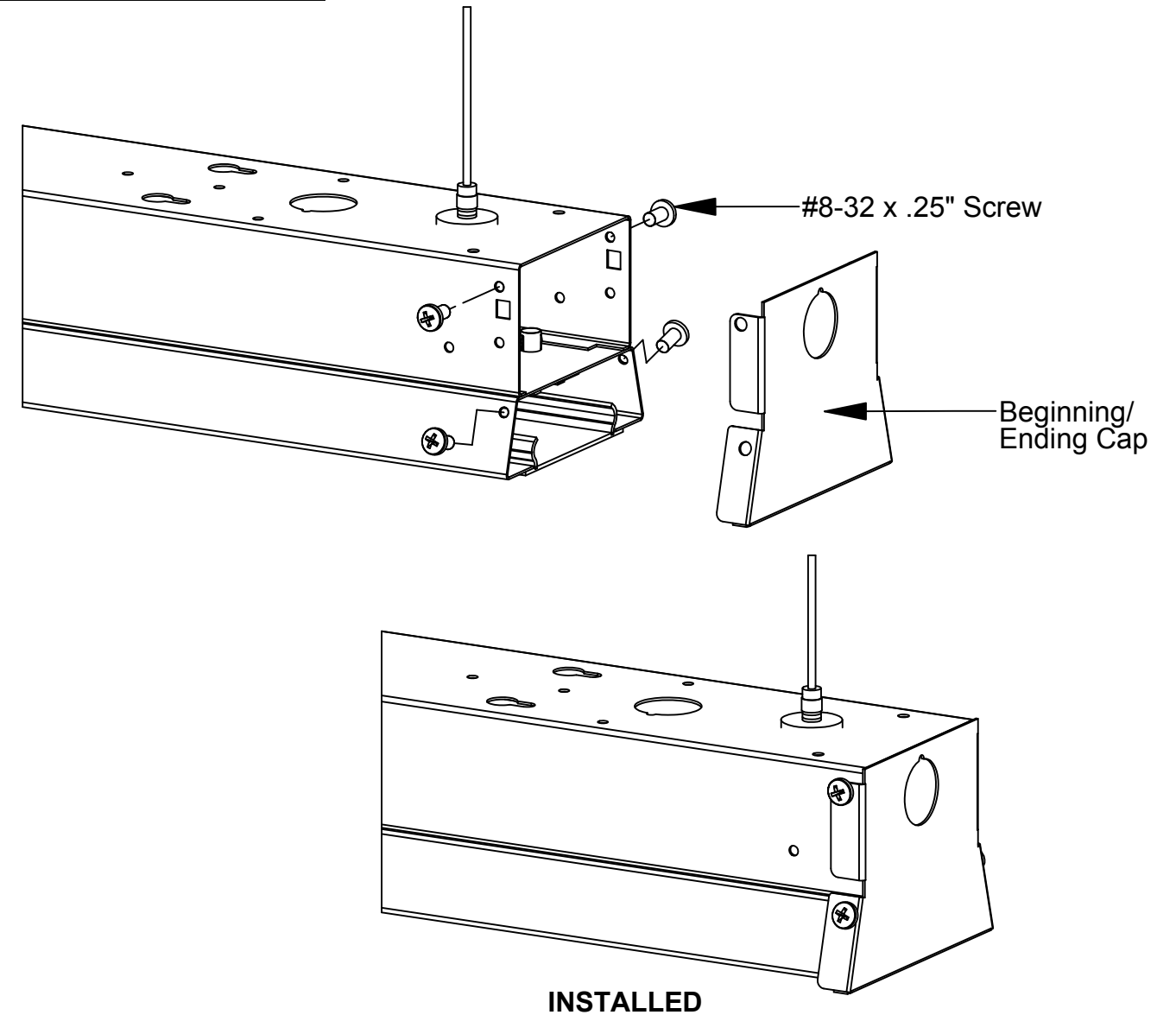
Texas Fluorescents Reinvented

A. Secure The Joiner

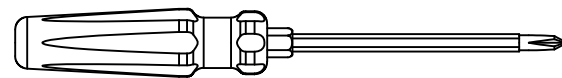


- Position the joiner piece as shown by centering to the holes in the joining fixtures.
- Secure the joining piece by installing (16) #8-32 x .25\" screws to the locations shown above.
- **Note:** Install the joiner piece for every joint. Only (1) pendant mount per joint is required.

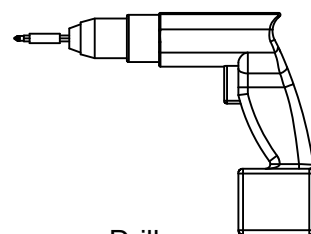
B. Replace End Caps



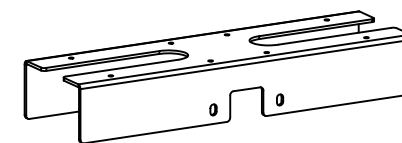
- For the start and end of every run, install the beginning/ending caps as shown above.
- Secure the end caps by reinstalling the previously removed (4) #8-32 x .25\" screws.



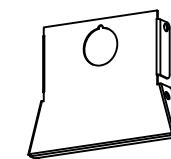
Flat Tip Screwdriver



Drill
(Optional)



SAR Cont. Run Joiner
(Provided)



SAR Beginning/Ending Cap
(Provided)

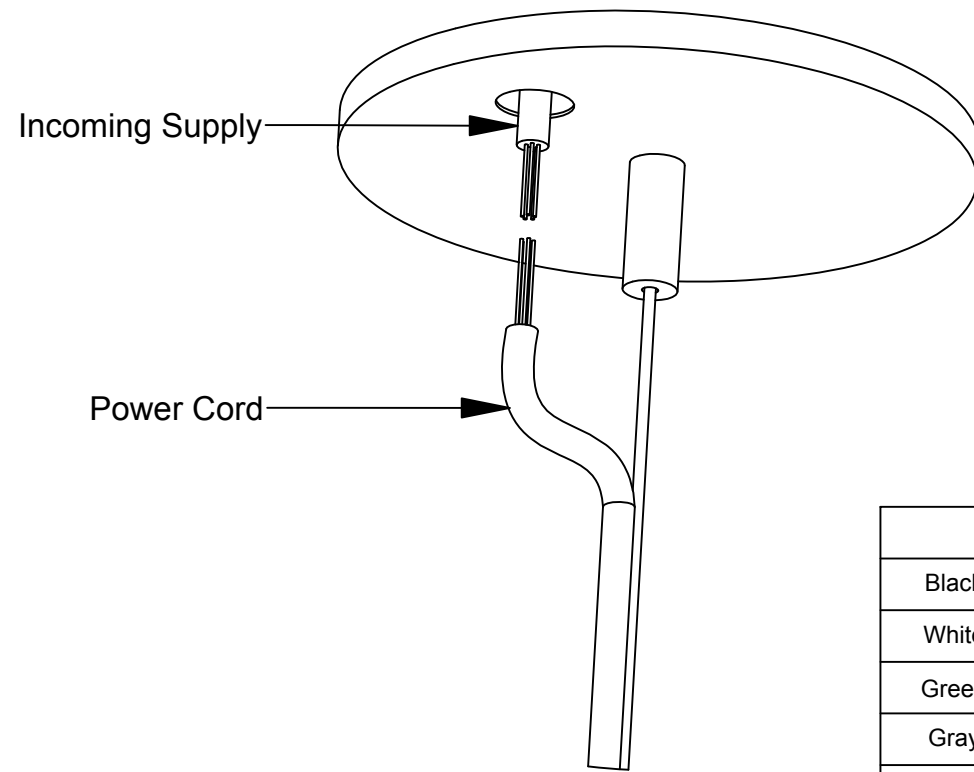
SAR-Pendant Cont. Run Installation Instructions

Step 6 - Connect Power Cord



Texas Fluorescents Reinvented

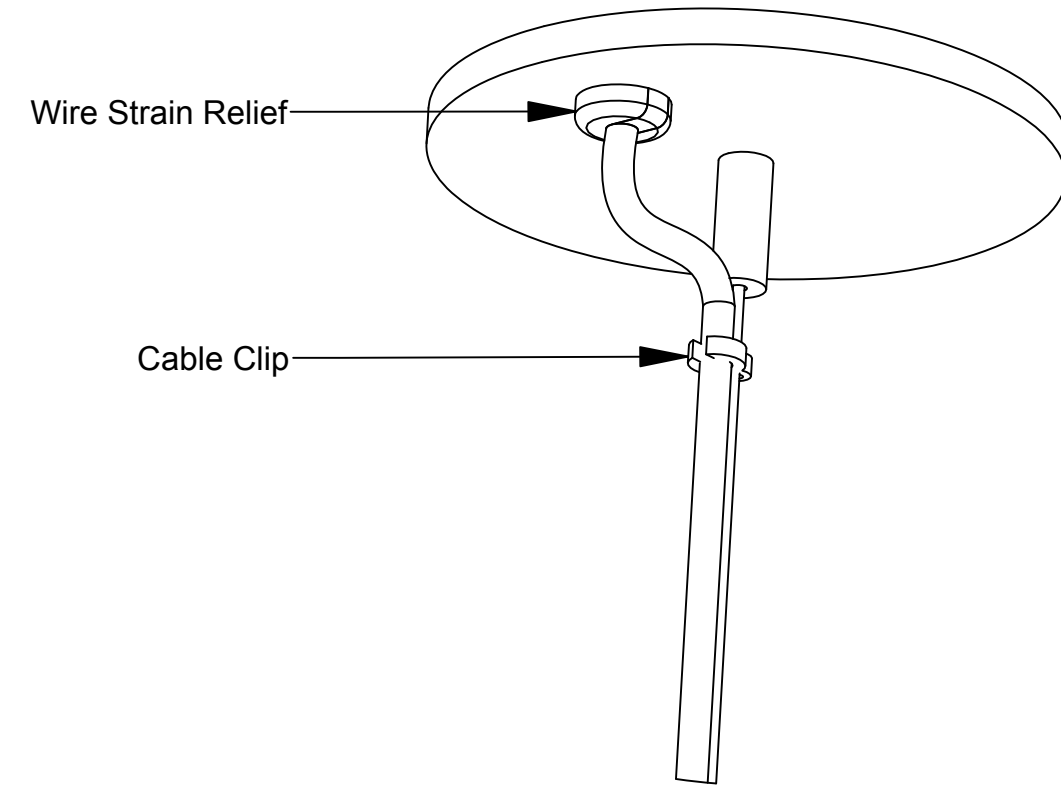
A. Connect The Wires



WIRING LEGEND		
Black	Hot	Line Voltage
White	Neutral	Line Voltage
Green	Ground	
Gray	Dimming	0-10V DC
Violet	Dimming	0-10V DC

- Connect the incoming supply to the power cord by following all local, state and national codes.
- Match wire colors together. Refer to the chart above as needed.

B. Install Grommet / Cable Clip



- After connecting the wires, feed the connections back in to the J-Box.
- Install the wire strain relief, and press in to the opening until it clicks in to place.
- Install the cable clip as shown above. Install is now complete.



Pendant Cable Clip
(Provided)



Wire Strain Relief
(Provided)



Pendant Power Cord
(Provided)