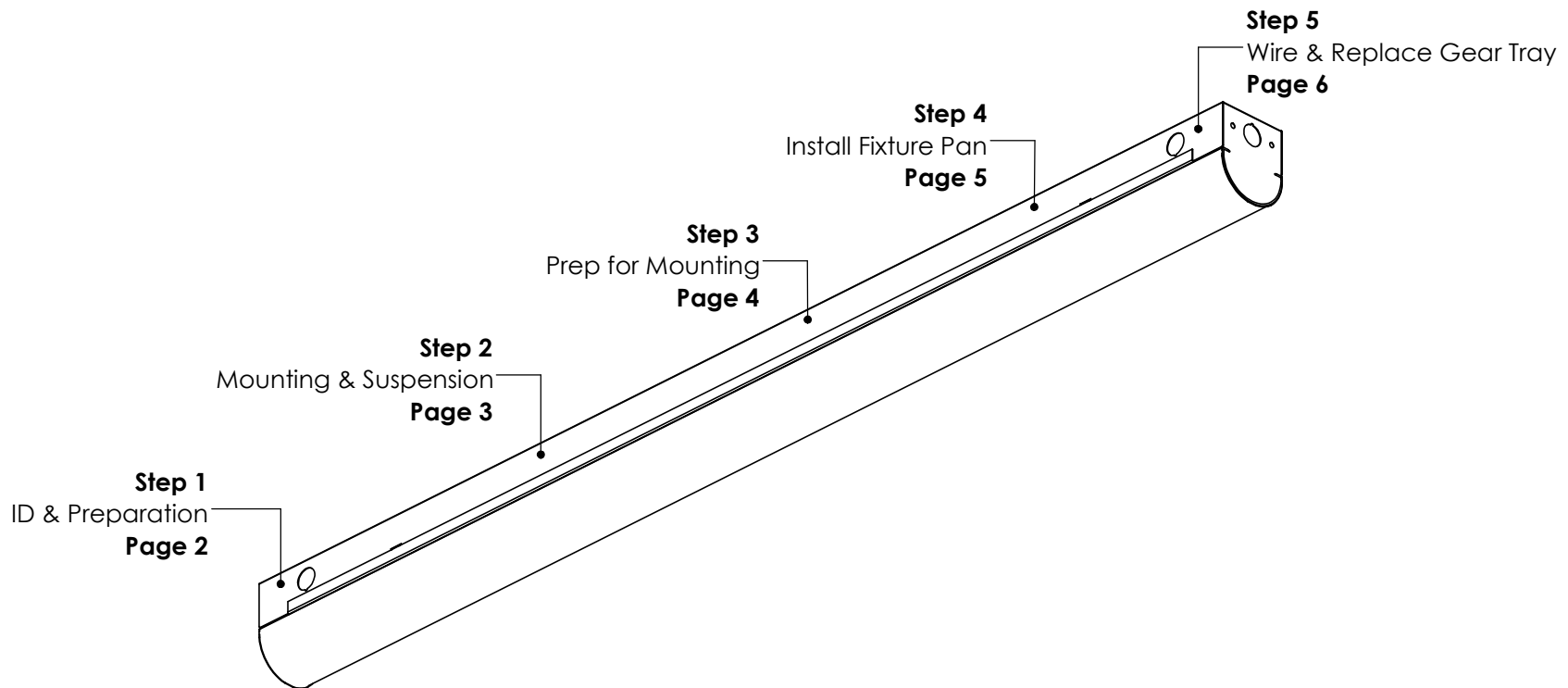


# RRS-Surface Installation Instructions

## Overview

### WARNINGS

- This product must be installed in accordance with all applicable codes by a person familiar with the product.
- Each fixture must be **properly supported** during install.
- **DO NOT** join fixtures on the floor prior to lifting, or damage will occur.
- **Before beginning installation**, review our complete list of warnings by visiting [www.saylite.com/warnings](http://www.saylite.com/warnings).



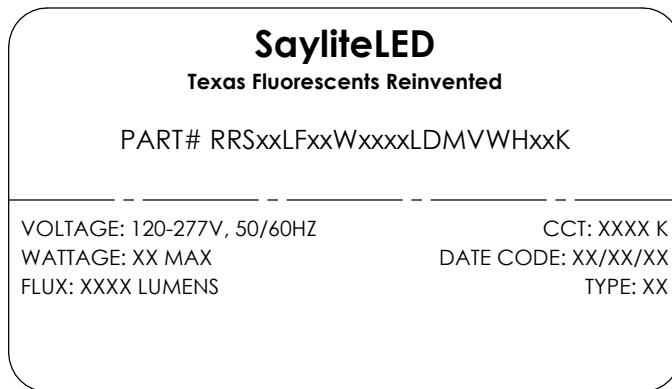
Your particular build may vary.

2022© Saylite | 2055 Luna Road, Suite 142 Carrollton, Texas 75006 | [www.saylite.com](http://www.saylite.com)

# RRS-Surface Installation Instructions

## Step 1 - Identification & Preparation

### A. Identify Fixtures

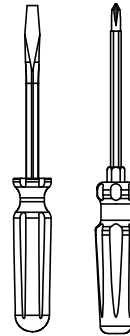


- Use labels found on the box and inside the fixture bodies to identify bodies.
- **NOTE:** Locations of labels can vary.
- Remove all fixtures from their boxes.
- Organize fixtures based on their labels at the install location.

### Kitted Hardware

- Saylite has provided the items listed here, with their Saylite part numbers listed. These items can be found in separate boxes shipped with the fixture.
- Ensure all parts are accounted for and set them aside until needed.
- Any additional hardware needed for this installation will be provided by others.

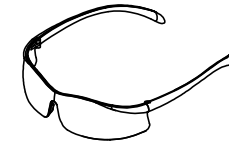
### B. Tools Needed



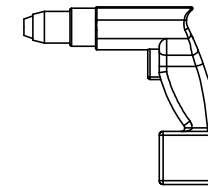
Flat head & Philip's  
Screwdriver



Pliers



Safety Glasses



Drill

- Always use proper safety equipment when installing fixtures.
- Tools shown are recommended for standard install. Tools needed may vary based on actual install location conditions.

# RRS-Surface Installation Instructions

## Step 2 - Mounting & Suspension

### Mounting

#### Drywall or other hard surfaces - Anchored Screws

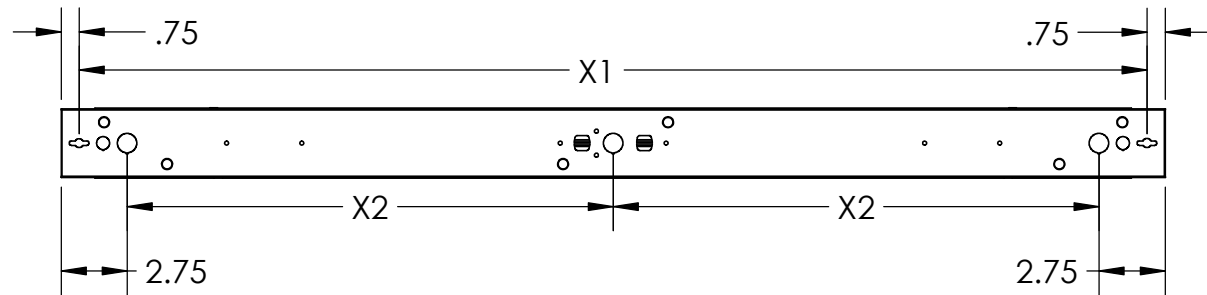
- Install anchors at mounting locations.
- Ensure anchors are secure.
- Prepare fixture for mounting.

Other hard surfaces include: wood, sheet metal panels, steel beams, concrete or masonry. Use hardware appropriate for each surface and material type.

#### Suspension Locations

**X** = Suspension Dimensions

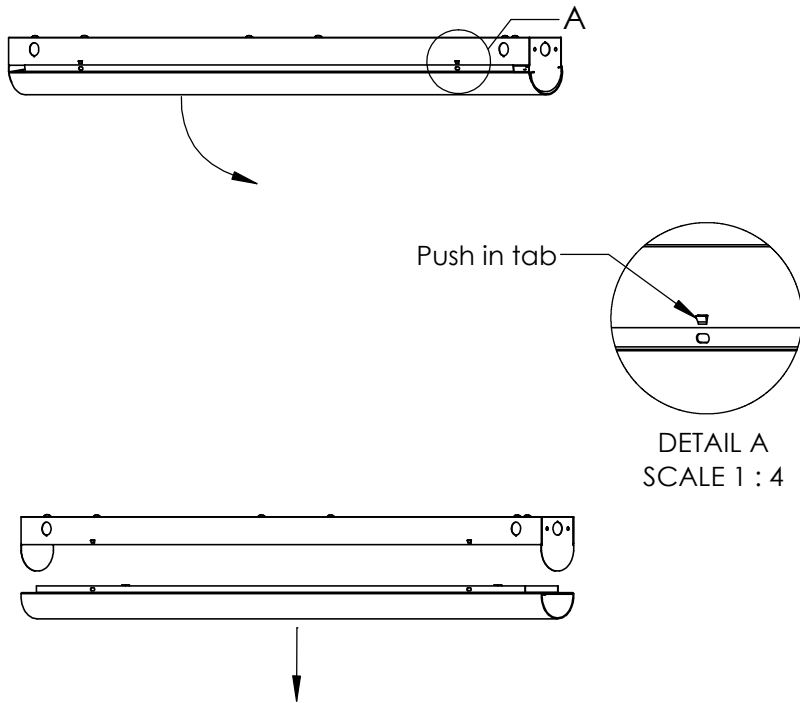
Refer to Assembly Drawings and building plans to determine exact mounting, suspension points, and power feed locations.



# RRS-Surface Installation Instructions

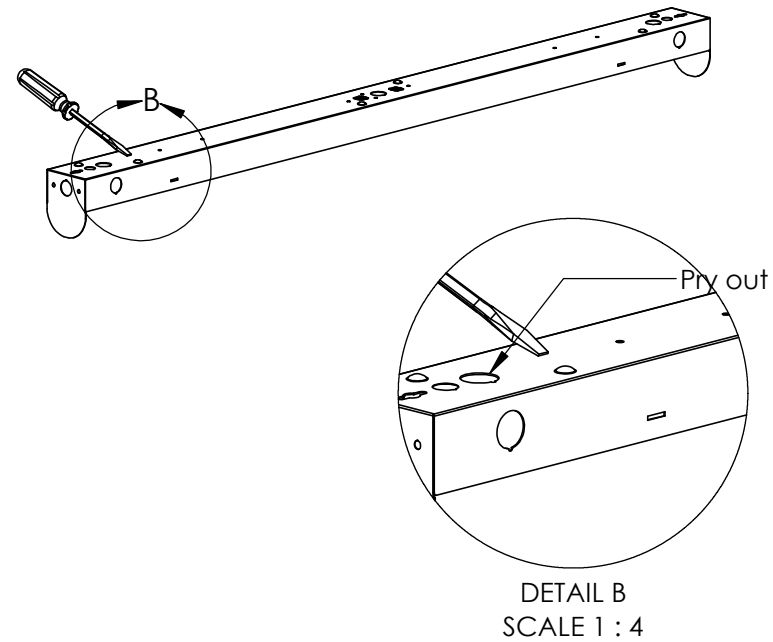
## Step 3 - Prepare Fixture for Mounting

### A. Remove Gear Tray



- Remove the gear tray from the fixture. Push in the tabs on the pan and swing the gear tray down away from the fixture pan.
- Unhinge the gear tray and pull the assembly off the pan. Set aside in a safe location for later use.

### B. Remove Power Knockout



- Remove desired 7/8" power knockout using a flat head screwdriver to gently pry the knockout out of the fixture.

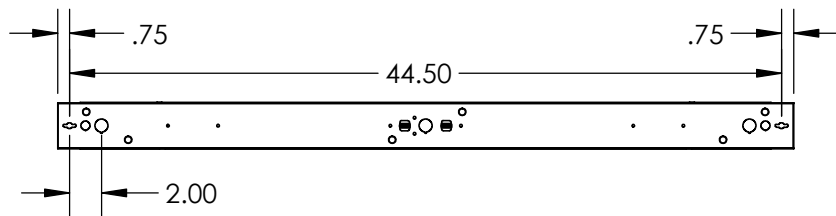
# RRS-Surface Installation Instructions

## Step 4 - Prepare Wiring & Mount Pan

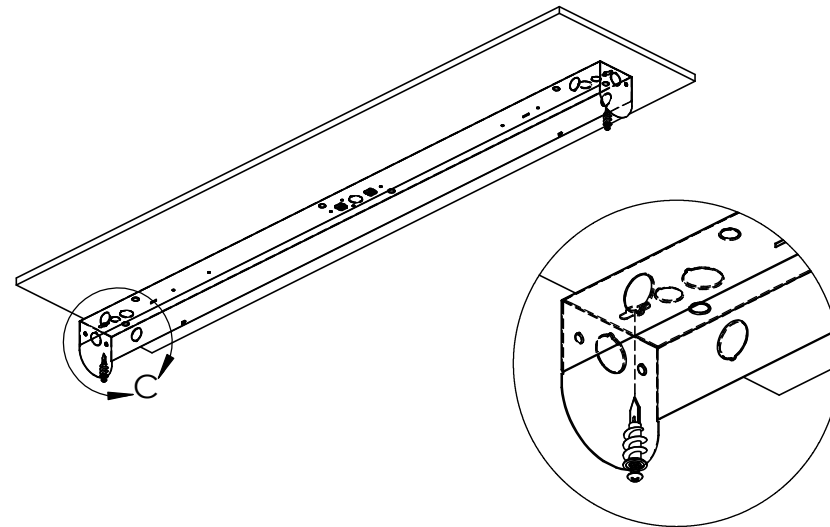


Texas Fluorescents Reinvented

### A. Transfer Measurements



### B. Install Pan & Drill Thru Hole for Wiring



DETAIL C  
SCALE 1 : 4

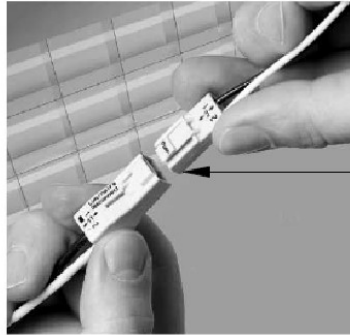
- **NOTE:** Dimensions shown above are for a 46" fixture. Consult assembly drawings or specification sheet to verify mounting dimensions for your fixture.
- Transfer fixture mounting dimensions to mounting surface and install screw anchors.

- Install the fixture pan to the mounting surface. Secure the pan to the mounting surface using anchored screws (not provided).
- Drill thru hole for power feed supply wiring at location of removed power knockout.

# RRS-Surface Installation Instructions

## Step 5 - Wire Fixture & Replace Gear Tray

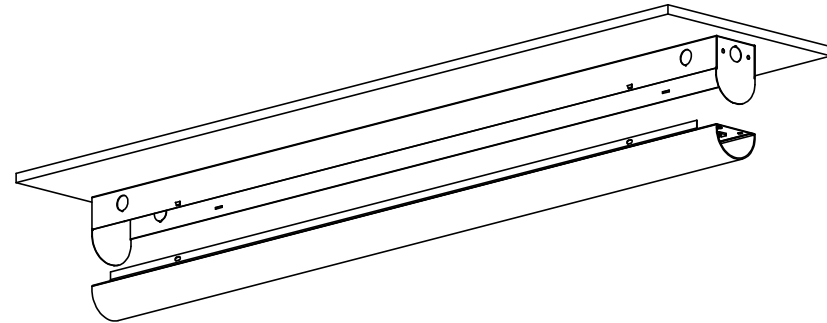
### A. Connect Fixture Wiring



WIRING LEGEND		
BLACK	HOT	Line Voltage
WHITE	NEUTRAL	Line Voltage
GREEN	GROUND	
GRAY	DIMMING	0-10V DC
VIOLET	DIMMING	0-10V DC

- **Ensure power feed supply is OFF before wiring the fixture.**
- Wire the fixture to the incoming power supply using the provided quick disconnect clip as shown.
- For dimming option, refer to wiring legend above.
- Use UL approved connectors only. Follow all local, state and national codes.

### B. Reinstall Gear Tray Assembly



- Reinstall the gear tray to the mounted fixture pan.
- Insert the hinge tabs of the gear tray assembly into the fixture pan. Rotate the assembly upward until the tabs on the fixture pan snap into the slots of the gear tray assembly.