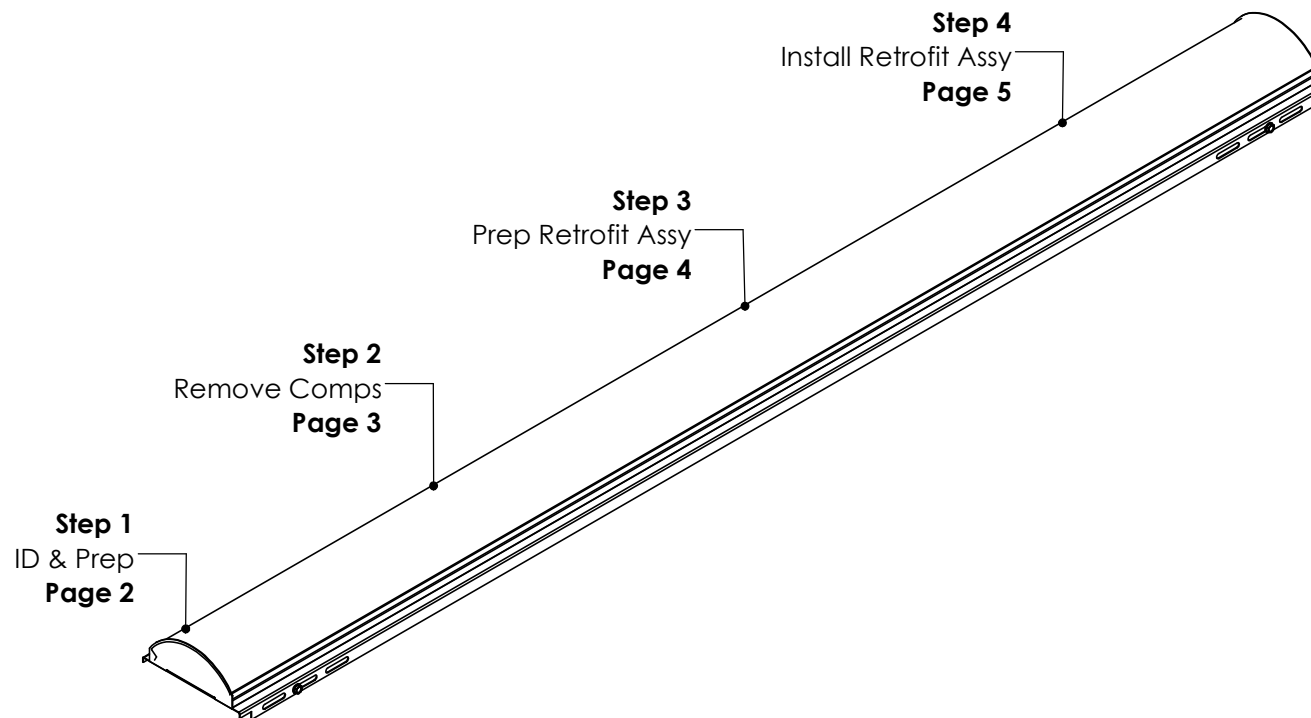


RFSF-RRS-FSF Retrofit Installation Instructions

Overview

WARNINGS

- This product must be installed in accordance with all applicable codes by a person familiar with the product.
- Each fixture must be **properly supported** during install.
- **DO NOT** join fixtures on the floor prior to lifting, or damage will occur.
- **Before beginning installation**, review our complete list of warnings by visiting www.saylite.com/warnings.



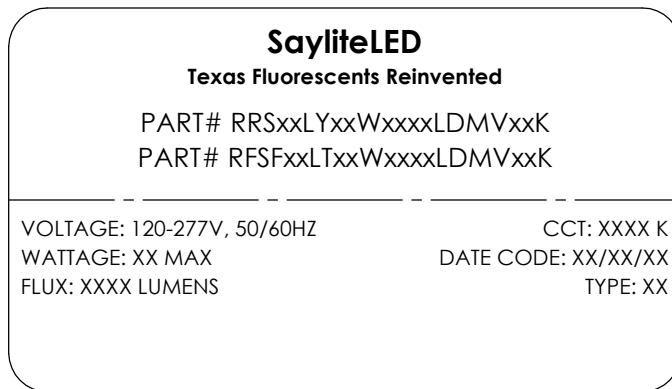
Your particular build may vary.

2022© Saylite | 2055 Luna Road, Suite 142 Carrollton, Texas 75006 | www.saylite.com

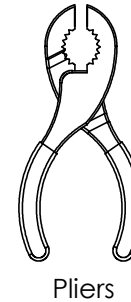
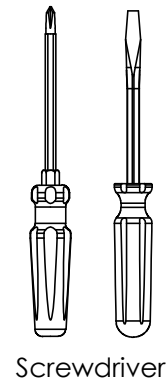
RFSF-RRS-FSF Retrofit Installation Instructions

Step 1 - Identification and Preparation

A. Identify Fixtures



B. Tools Needed



- Use labels found on the box and inside the fixture bodies to identify bodies.
- **NOTE:** Locations of labels can vary.
- Remove all fixtures from their boxes.
- Organize fixtures based on their labels at the install location.

- Always use proper safety equipment when installing fixtures.
- Tools shown are recommended for standard install. Tools needed may vary based on actual install location conditions.

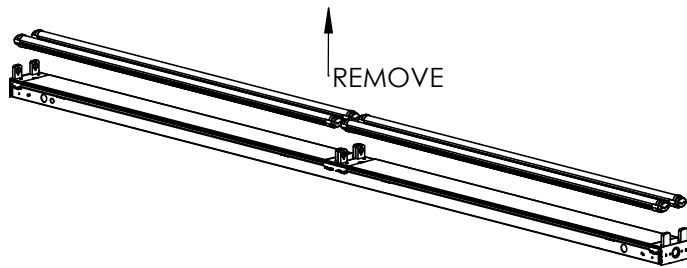
Kitted Hardware

- Saylite has provided the items listed here, with their Saylite part numbers listed. These items can be found in separate boxes shipped with the fixture.
- Ensure all parts are accounted for and set them aside until needed.
- Any additional hardware needed for this installation will be provided by others.

RFSF-RRS-FSF Retrofit Installation Instructions

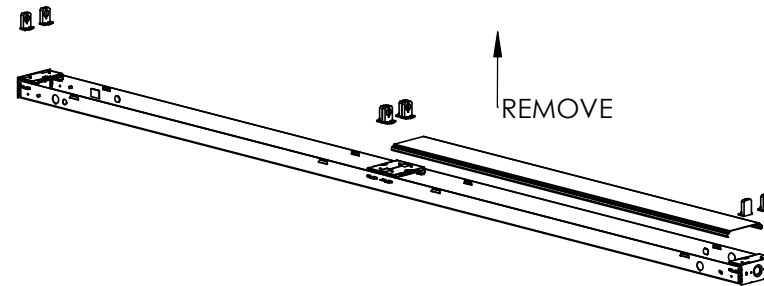
Step 2 - Remove Obsolete Components

A. Uninstall Bulbs



- Remove obsolete bulbs from sockets and dispose of in a safe manner.

B. Remove Ballast & Electrical Components

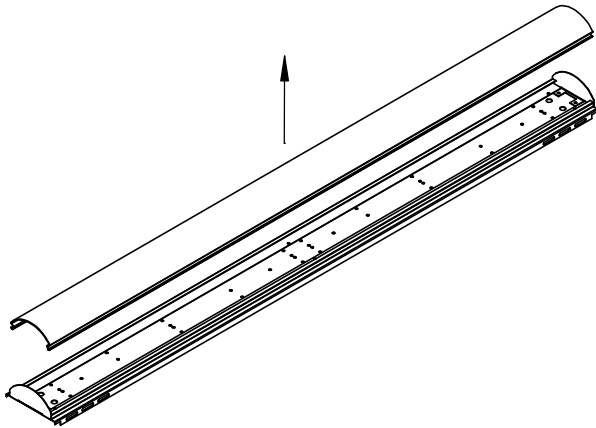


- Uninstall the sockets, socket bars, and ballast cover(s) from the fixture.
- Remove obsolete electrical components including bulb socket wiring and obsolete ballast drivers.
- Dispose of all obsolete components in a safe manner.

RFSF-RRS-FSF Retrofit Installation Instructions

Step 3 - Prepare Retrofit Assembly for Install

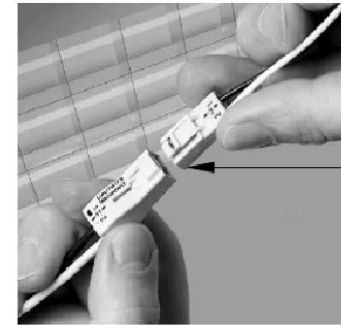
A. Remove Lens



- Remove the lens from the retrofit assembly.
- Using a flat head screwdriver, gently pry up on the lens along one side of the lens and assembly to remove the lens from the assembly.

B. Connect Fixture Wiring

WIRING LEGEND		
BLACK	HOT	Line Voltage
WHITE	NEUTRAL	Line Voltage
GREEN	GROUND	
GRAY	DIMMING	0-10V DC
VIOLET	DIMMING	0-10V DC



- Prior to connecting retrofit assembly to power feed, ensure power feed supply is OFF.
- Wire fixture to the incoming power supply using the provided quick disconnect clip.
- For dimming option, refer to wiring legend above.
- Use UL approved connectors only. Follow all local, state and national codes.

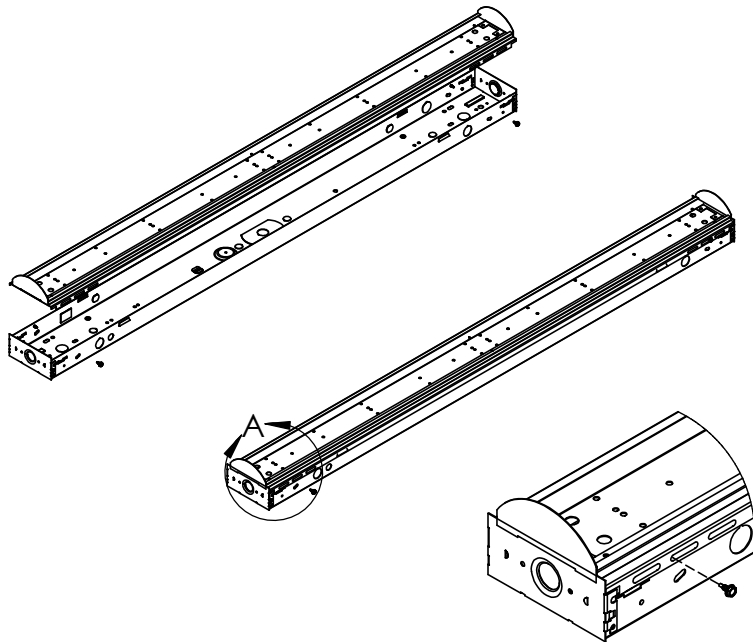
RFSF-RRS-FSF Retrofit Installation Instructions

Step 4 - Install Gear Tray and Replace Lens



Texas Fluorescents Reinvented

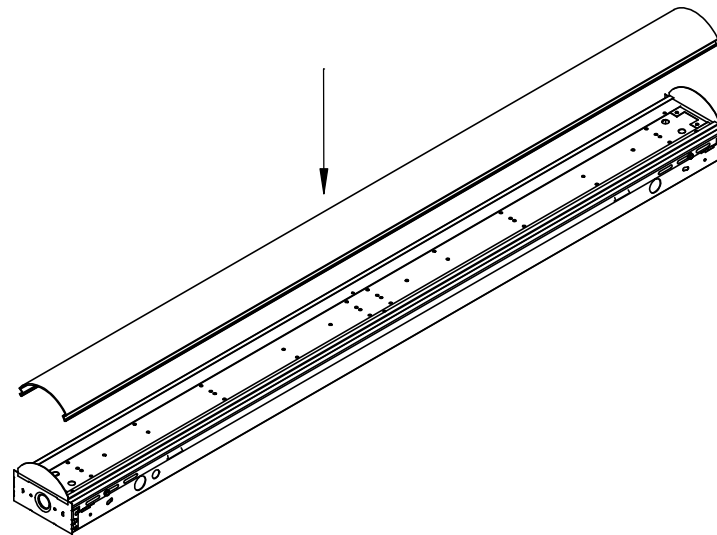
A. Secure Gear Tray to Fixture Pan



DETAIL A
SCALE 1 : 5

- Secure the retrofit assembly to the fixture pan using four (4) screws (not provided).
- Slide the retrofit assembly over the sides of the fixture pan, then attach the assembly with screws at the points shown above.

B. Replace Lens



- Replace the lens for assembled fixture. Push the lens onto the fixture until the lens snaps into place.
- Begin lens install at one end of the fixture and work down the length of the fixture until the lens is fully installed.