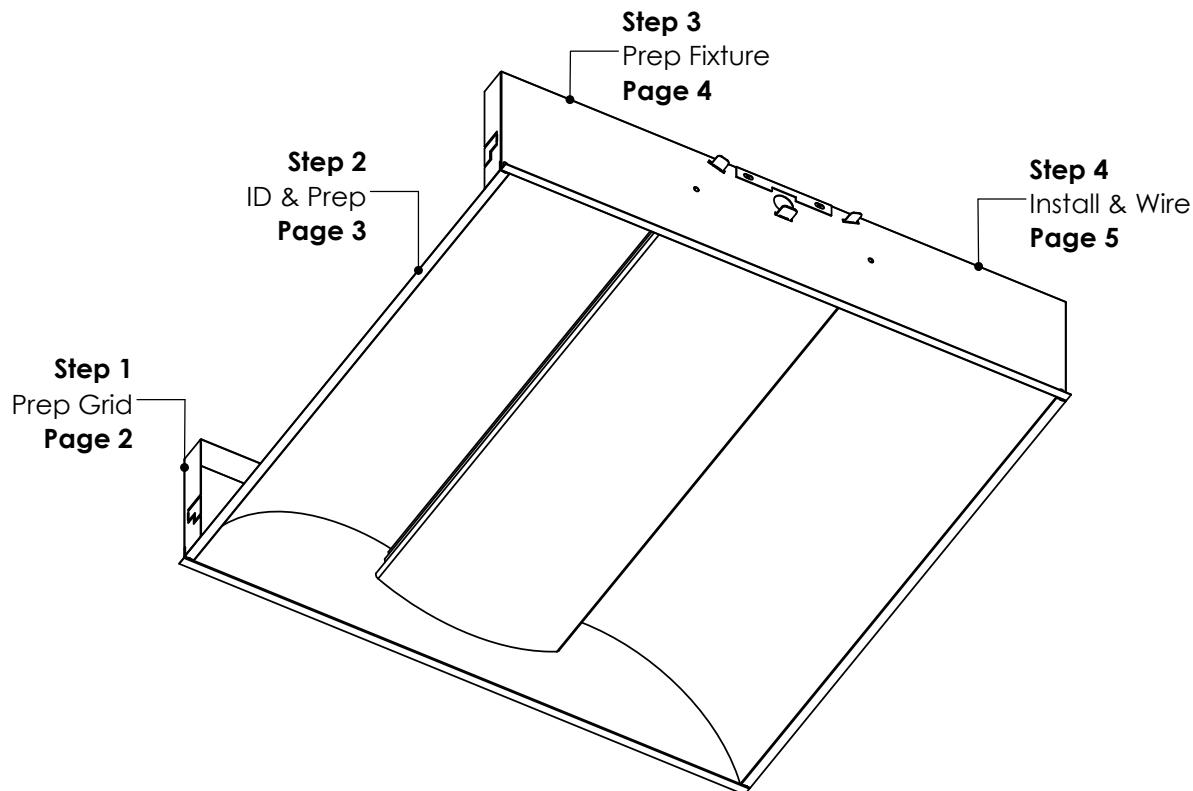


RDI-Grid Installation Instructions

Overview

WARNINGS

- This product must be installed in accordance with all applicable codes by a person familiar with the product.
- Each fixture must be **properly supported** during install.
- **DO NOT** join fixtures on the floor prior to lifting, or damage will occur.
- **Before beginning installation**, review our complete list of warnings by visiting www.saylite.com/warnings.



Your particular build may vary.

2022© Saylite | 2055 Luna Road, Suite 142 Carrollton, Texas 75006 | www.saylite.com

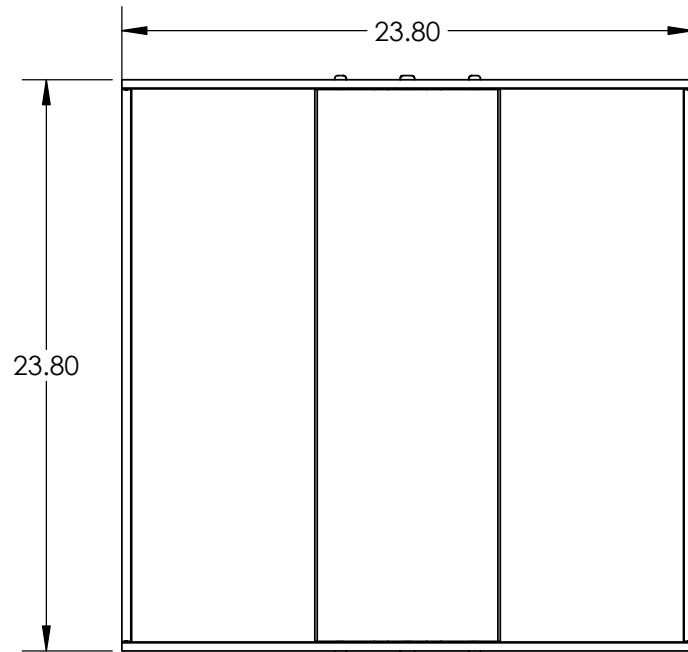
RDI-Grid Installation Instructions

Step 1 - Prepare the Grid



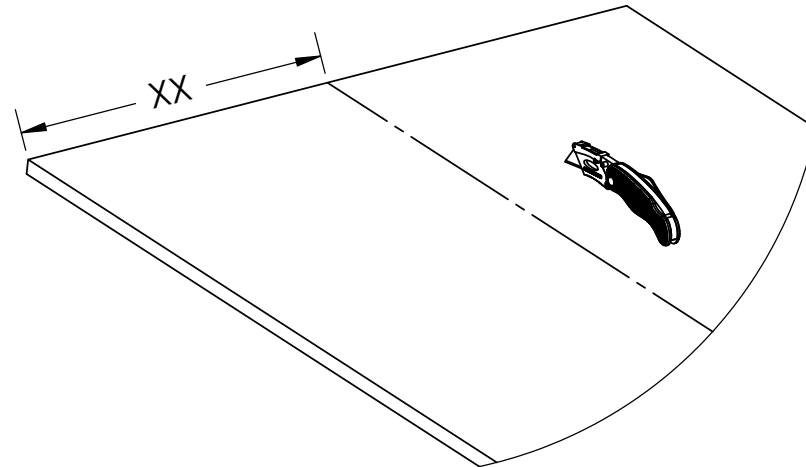
Texas Fluorescents Reinvented

A. Transfer Measurements



- Note the length and width of the fixture.
- Transfer the dimensions to the hanging grid and set the grid rails to the proper width.

B. Cut Ceiling Panels



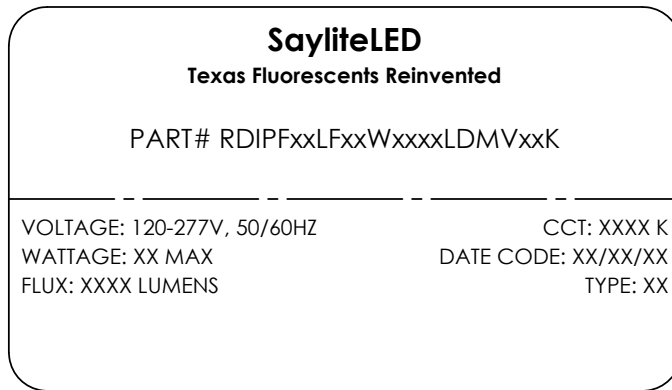
- Optional: Cut ceiling tiles to fit custom fixture spaced grids.

***NOTE:** Length and width dimensions will vary according to specific fixture model being installed. Measure each fixture to be installed to ensure the grid spacing is correct.

RDI-Grid Installation Instructions

Step 2 - Identification & Preparation

A. Identify Fixtures

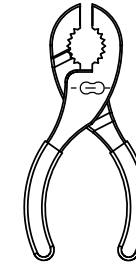


- Use labels found on the box and inside the fixture bodies to identify bodies.
- **NOTE:** Locations of labels can vary.
- Remove all fixtures from their boxes.
- Organize fixtures based on their labels at the install location.

B. Tools Needed



Screwdriver



Pliers



Utility Knife



Safety Glasses

- Always use proper safety equipment when installing fixtures.
- Tools shown are recommended for standard install. Tools needed may vary based on actual install location conditions.

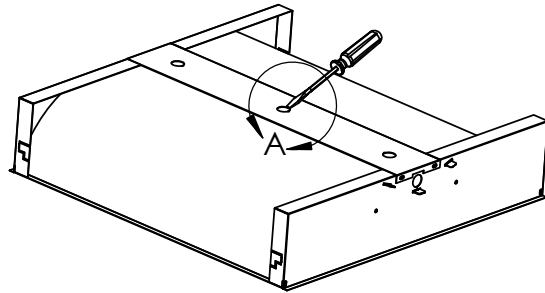
Kitted Hardware

- Saylite has provided the items listed here, with their Saylite part numbers listed. These items can be found in separate boxes shipped with the fixture.
- Ensure all parts are accounted for and set them aside until needed.
- Any additional hardware needed for this installation will be provided by others.

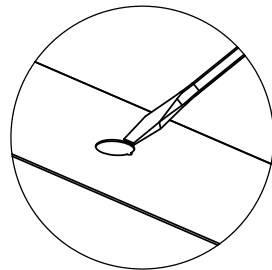
RDI-Grid Installation Instructions

Step 3 - Prepare Fixture for Installation

A. Remove Power Knockout

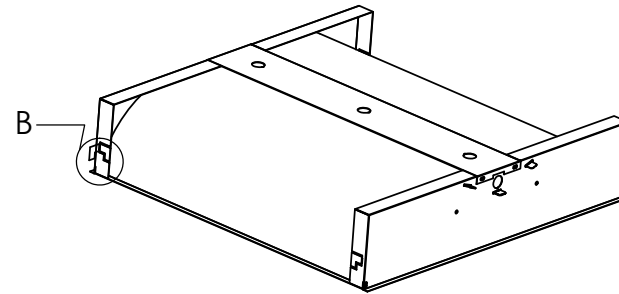


DETAIL A
SCALE 1 : 4

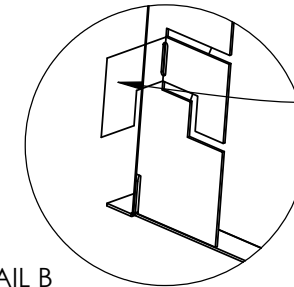


- Use a flat head screw driver to gently pry up and remove the desired 7/8" knockout on the back of the fixture.
- Pull out fixture power cable as needed.

B. Open Hurricane Clips



DETAIL B
SCALE 1 : 2

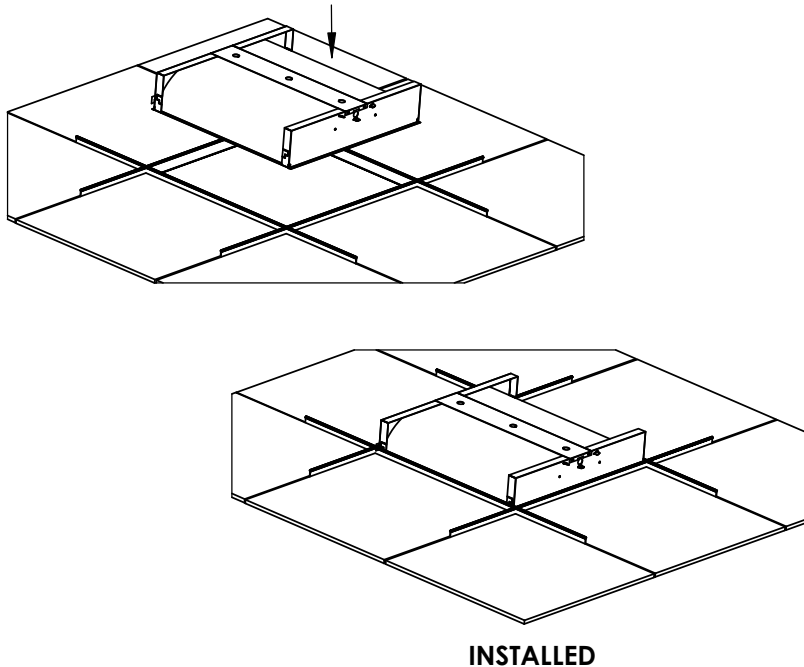


- Using a flat head screwdriver, bend the (4) hurricane clips located on each corner of the fixture open 90° .
- Hurricane clips must be able to extend over the spine of the grid.

RDI-Grid Installation Instructions

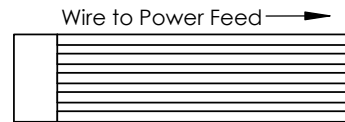
Step 4 - Install to Grid & Wire

A. Lay Fixture Into Grid



- Lay the fixture into the grid and ensure the hurricane clips are over the grid.
- It may be necessary to remove an adjacent ceiling panel to wire the fixture.

B. Connect to Power Feed Supply



WIRING LEGEND		
BLACK	HOT	Line Voltage
WHITE	NEUTRAL	Line Voltage
GREEN	GROUND	
GRAY	DIMMING	0-10V DC
VIOLET	DIMMING	0-10V DC

- Wire each fixture to the incoming power supply using the provided quick disconnect clip as shown.
- For dimming option, refer to wiring legend above.
- Use UL approved connectors only. Follow all local, state and national codes.
- Installation is now complete.