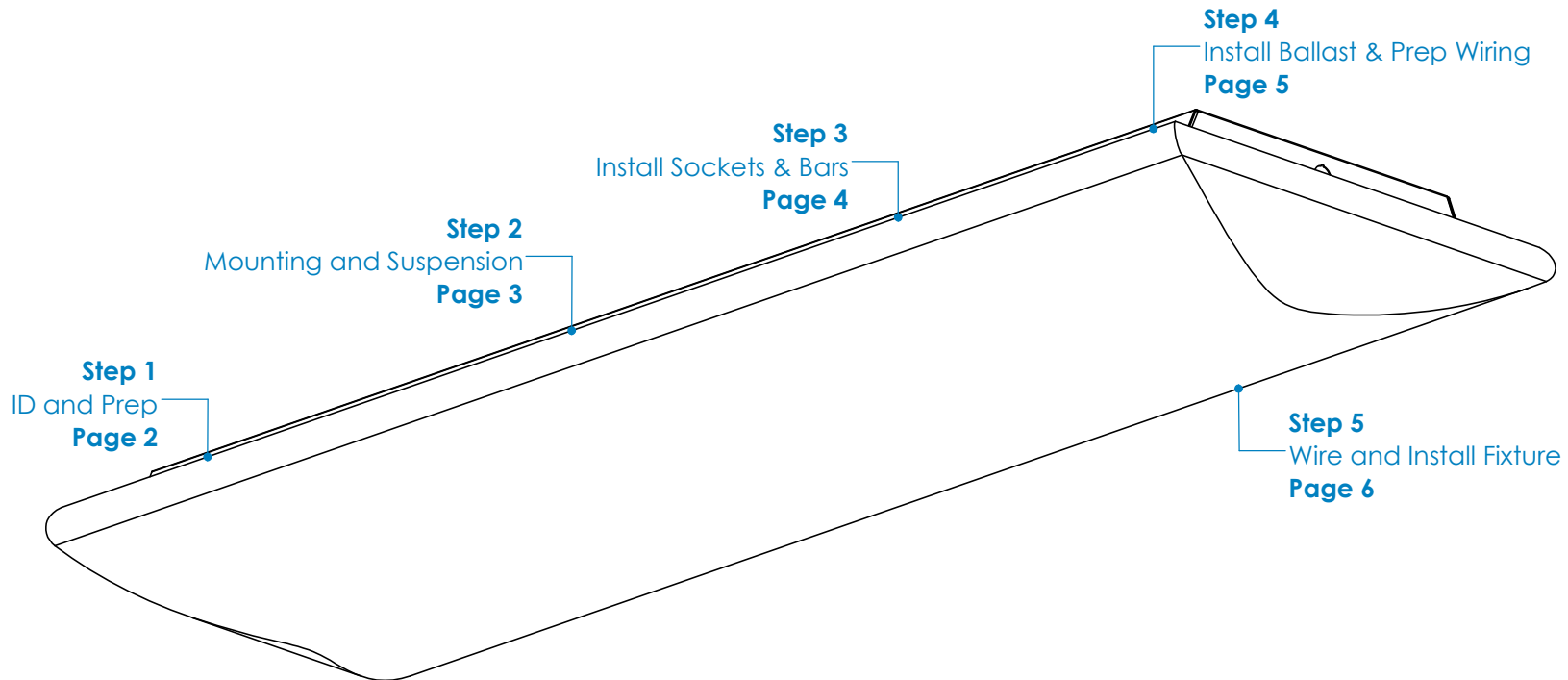


# PUFF-X1 Surface Mount Installation Instructions

## Overview

### WARNINGS

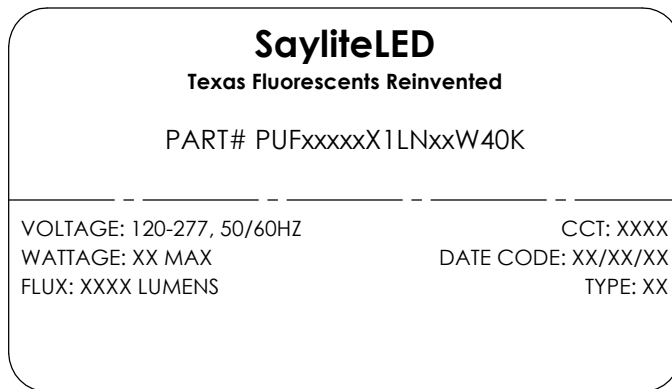
- This product must be installed in accordance with all applicable codes by a person familiar with the product.
- Each fixture must be **properly supported** during install.
- **DO NOT** join fixtures on the floor prior to lifting, or damage will occur.
- **Before beginning installation**, review our complete list of warnings by visiting [www.saylite.com/warnings](http://www.saylite.com/warnings).



# PUFF-X1 Surface Mount Installation Instructions

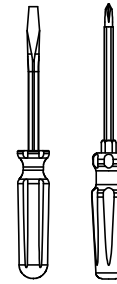
## Step 1 - Identification and Preparation

### A. Identify Fixtures



- Use labels found on the box and inside the fixture bodies to identify bodies.
- **NOTE:** Locations of labels can vary.
- Remove all fixtures from their boxes.
- Organize fixtures based on their labels at the install location.

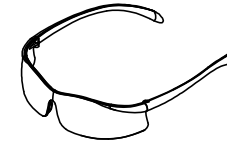
### B. Tools Needed



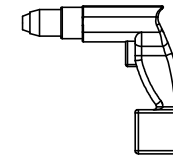
Screwdrivers



Pliers



Safety Glasses



Drill  
(optional)

- Always use proper safety equipment when installing fixtures.
- Tools shown are recommended for standard install. Tools needed may vary based on actual install location conditions.

### Kitted Hardware

- Saylite has provided the items listed here, with their Saylite part numbers listed. These items can be found in separate boxes shipped with the fixture.
- Ensure all parts are accounted for and set them aside until needed.
- Any additional hardware needed for this installation will be provided by others.

# PUFF-X1 Surface Mount Installation Instructions

## Step 2 - Mounting and Suspension

### Mounting

#### Drywall or other hard surfaces - Anchored Screws\*

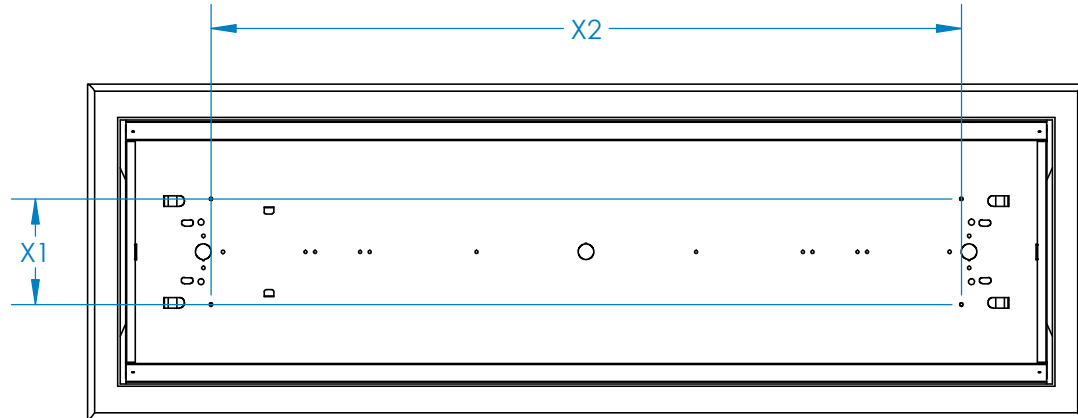
- Install hanging kits at suspension locations.
- Ensure hanging kits are secure.
- Prepare fixture for mounting.

Other hard surfaces include: wood, sheet metal panels, steel beams, concrete or masonry. Use hardware appropriate for each surface and material type.

#### Suspension Locations

**X** = Suspension Dimensions

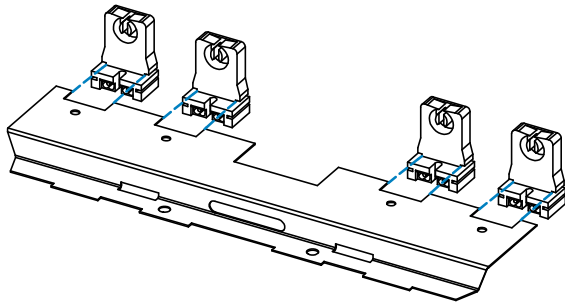
Refer to Assembly Drawings and building plans to determine exact mounting, suspension points, and power feed locations.



# PUFF-X1 Surface Mount Installation Instructions

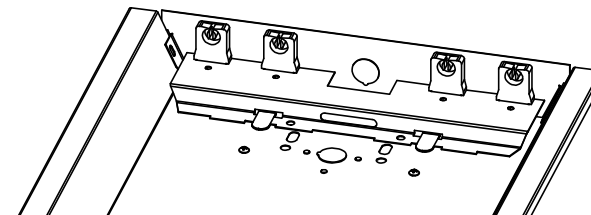
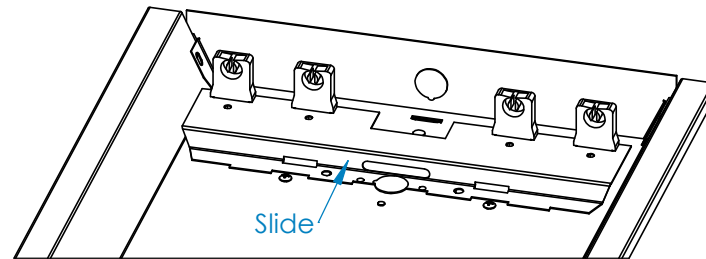
## Step 3 - Install Sockets and Socket Bars

### A. Install Sockets to Socket Bars



- Slide the provided sockets into the socket bars.
- One socket bar will need all four wired sockets, the opposite socket bar will need all four individual sockets.

### B. Install Socket Bars to Pan



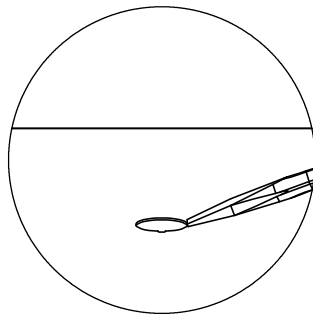
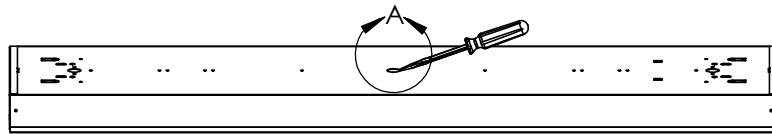
INSTALLED

- Slide the assembled socket bars under the socket bar tabs at each end of the fixture pan.
- Pull wiring thru central oblong of socket bar with wired sockets.

# PUFF-X1 Surface Mount Installation Instructions

## Step 4 - Install Ballast Cover & Prepare to Mount Fixture

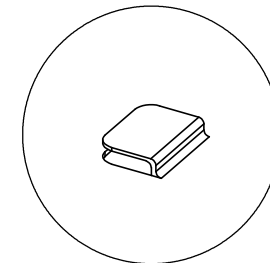
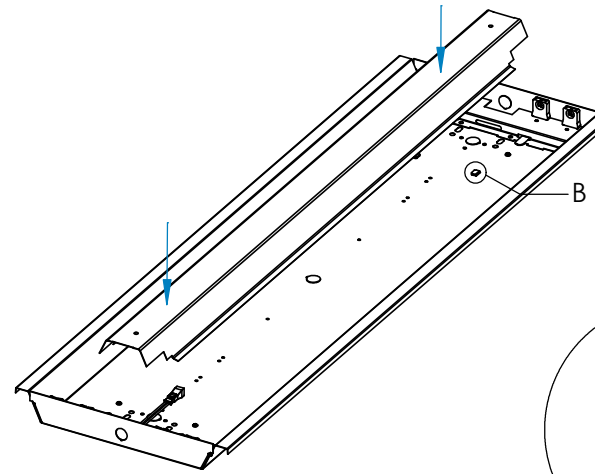
### A. Prepare Fixture for Wiring



DETAIL A  
SCALE 1 : 3

- Use a flat head screwdriver to gently pry up and remove the center 7/8" knockout on the back of the fixture pan.
- Pull the socket wiring with the quick disconnect thru the removed knockout.
- Install junction box at fixture mounting location such that it will align with the center of the fixture pan.

### B. Install Ballast Cover



DETAIL B  
SCALE 1 : 1

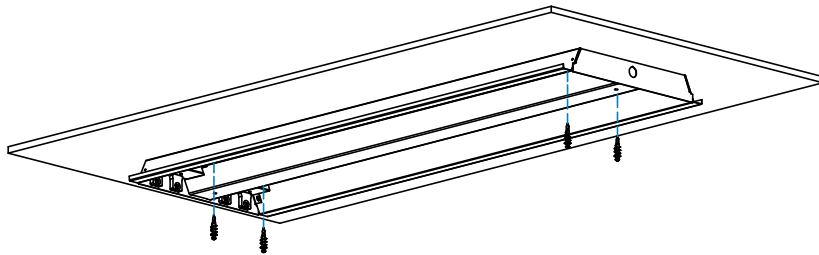
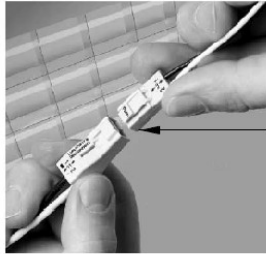
- Install the ballast cover to the pan.
- Squeeze the sides of the ballast cover and insert the flanges under the ballast cover tabs shown in Detail B.
- Ballast cover is secured once both sides are clipped into place.

# PUFF-X1 Surface Mount Installation Instructions

## Step 5 - Wire and Install Fixture

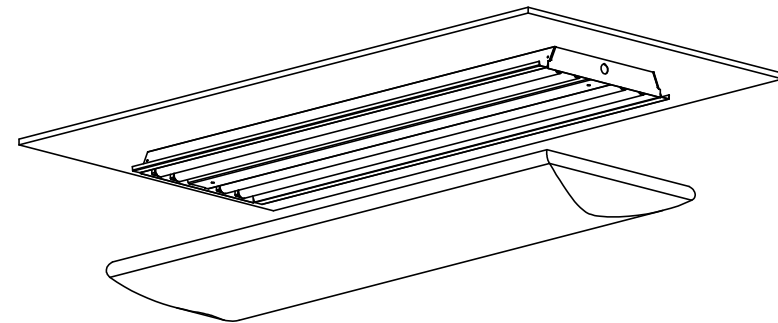
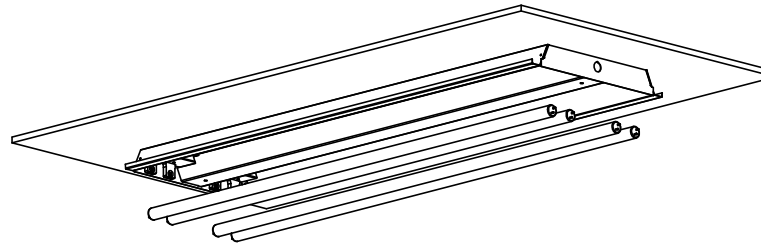
### A. Wire the Fixture and Mount to Surface

WIRING LEGEND		
BLACK	HOT	Line Voltage
WHITE	NEUTRAL	Line Voltage
GREEN	GROUND	
GRAY	DIMMING	0-10V DC
VIOLET	DIMMING	0-10V DC



- Wire fixtures to the incoming power supply using the provided quick disconnect clip.
- For dimming option, refer to wiring legend above.
- Use UL approved connectors only. Follow all local, state and national codes.
- Mount the fixture to the desired surface, secure the fixture with anchored screws (not provided).

### B. Install the Bulbs and Install Lens



- Install the bulbs to the sockets, slide the prongs of the bulbs into the sockets and twist until you hear a click.
- Install the lens to the fixture by hanging one side of the lens over the flange of the fixture. Next swing the lens over the opposite flange of the fixture and adjust until centered. Lens will hang from fixture flanges.
- Installation is now complete.