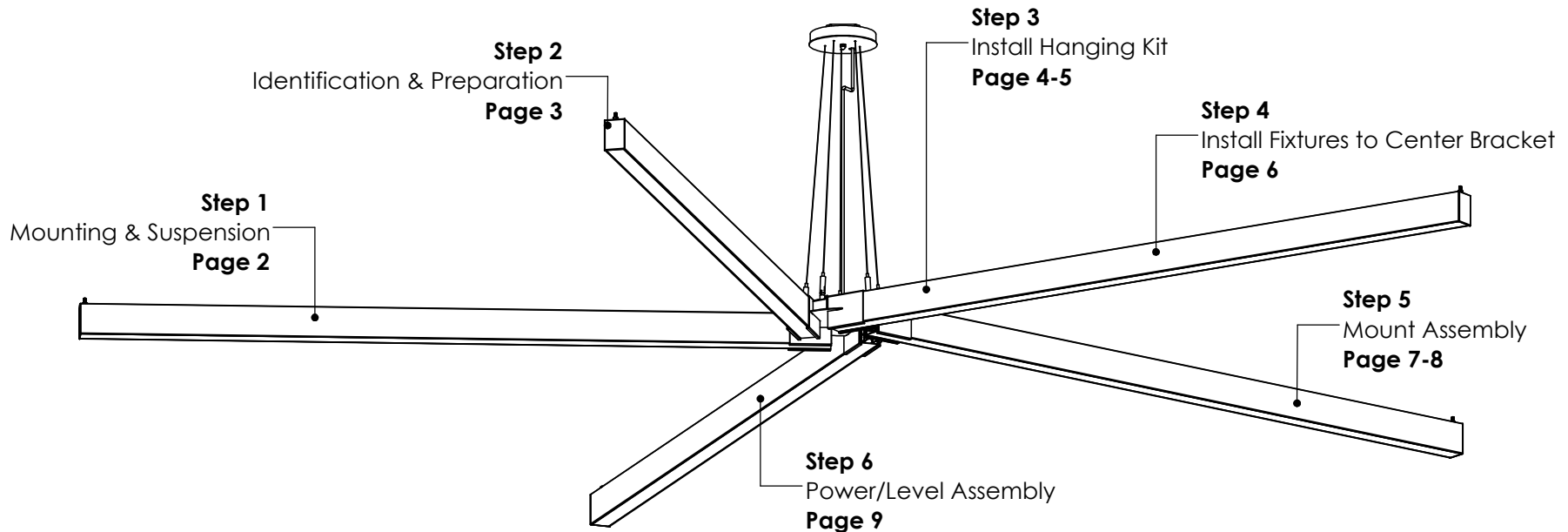


PLY23-Fans Installation Instructions

Overview

WARNINGS

- This product must be installed in accordance with all applicable codes by a person familiar with the product.
- Each fixture must be **properly supported** during install.
- **DO NOT** join fixtures on the floor prior to lifting, or damage will occur.
- **Before beginning installation**, review our complete list of warnings by visiting www.saylite.com/warnings.



PLY23-Fans Installation Instructions

Step 1 - Mounting and Suspension

Mounting Options

Drywall or other hard surfaces* - PLY23-F3/F5/F6 Hanging Kit

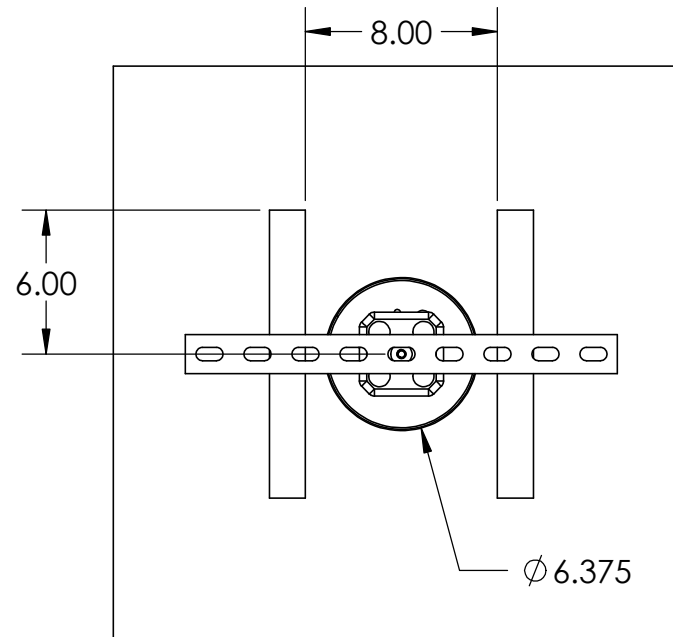
- Install hanging kits at suspension locations.
- Ensure hanging kits are secure.
- Prepare fixture for mounting.

*Other hard surfaces include: wood, sheet metal panels, steel beams, concrete or masonry. Use hardware appropriate for each surface and material type.

Suspension Locations

X = Suspension Dimensions

Refer to Assembly Drawings and building plans to determine exact mounting, suspension points, and power feed locations.

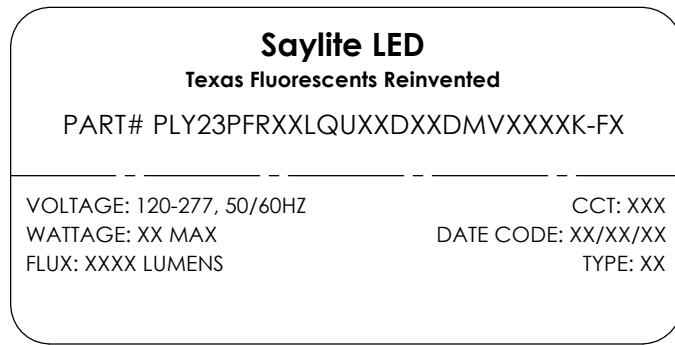


NOTE: This instruction set shows general installation instructions for PLY23 Fan assemblies. There are many different configurations and variations of fixtures, some may not be shown but will follow the same basic guidelines for installation.

PLY23-Fans Installation Instructions

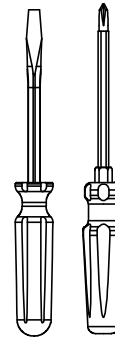
Step 2 - Identification and Preparation

A. Identify Fixtures



- Use labels found on the box and inside the fixture bodies to identify bodies.
- **NOTE:** Locations of labels can vary.
- Remove all fixtures from their boxes.
- Organize fixtures based on their labels at the install location.

B. Tools Needed



Screwdrivers



Pliers



Safety Glasses

- Always use proper safety equipment when installing fixtures.
- Tools shown are recommended for standard install. Tools needed may vary based on actual install location conditions.

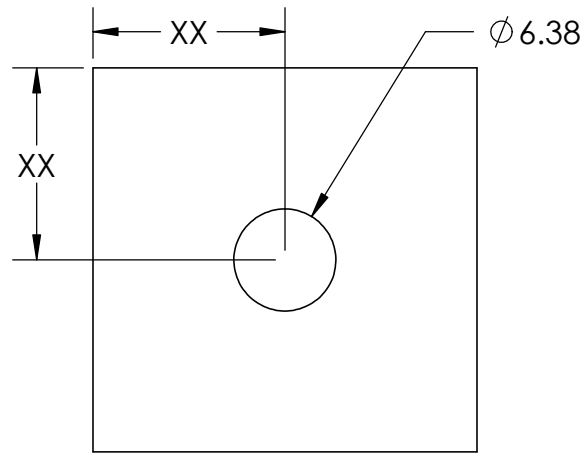
Kitted Hardware

- Saylite has provided the items listed here, with their Saylite part numbers listed. These items can be found in separate boxes shipped with the fixture.
- Ensure all parts are accounted for and set them aside until needed.
- Any additional hardware needed for this installation will be provided by others.

PLY23-Fans Installation Instructions

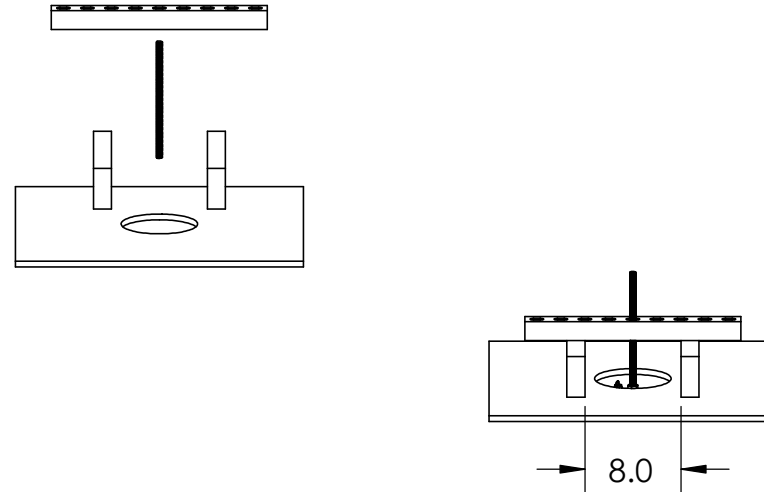
Step 3 - Install Hanging Kit

A. Make Cut Out



- Use a utility knife or equivalent tool to cut a hole in the ceiling for the PLY23 canopy to insert to.
- Location of hole to be determined by customer.

B. Install Bracing

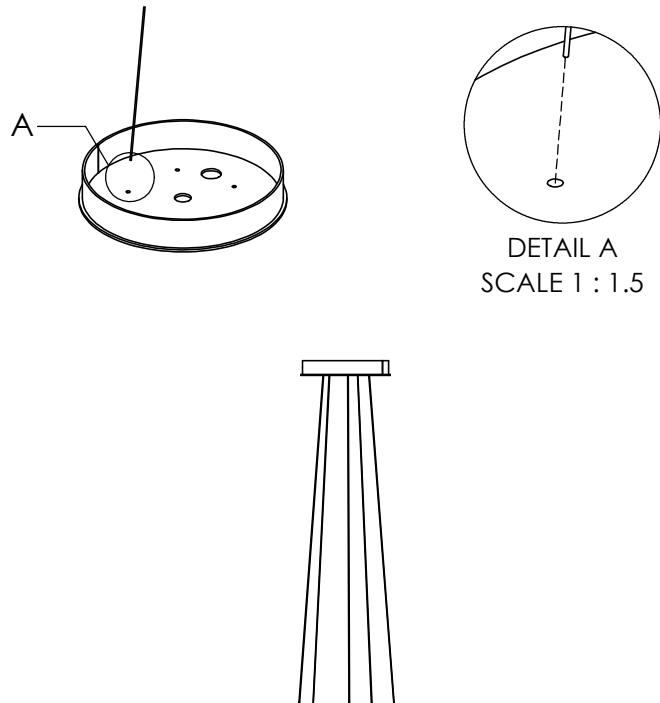


- Install the unistrut and 2X4 studs to the ceiling as shown. Studs should be spaced at least 8" apart.
- Use all thread (not provided) to secure the junction box to the unistrut. Note that all thread and bracing must be able to support fixture weight (minimum 100 lbs).

PLY23-Fans Installation Instructions

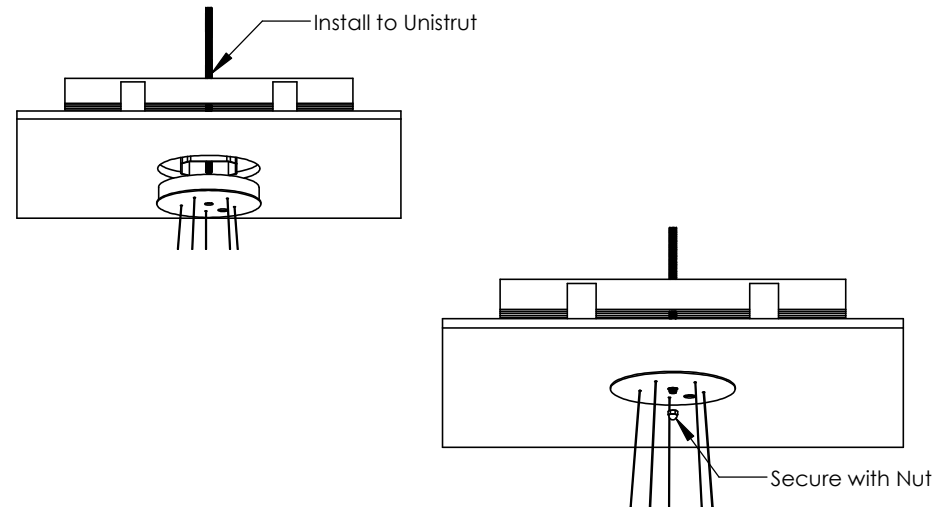
Step 3 - Install Hanging Kit (Cont'd)

A. Insert Aircraft Cables



- Insert the aircraft cables to the PLY23 canopy, ensuring the cable stop is on top of the canopy.
- Pull thru all aircraft cables until the cable stop hits the top side of the PLY23 canopy.

B. Install to Ceiling



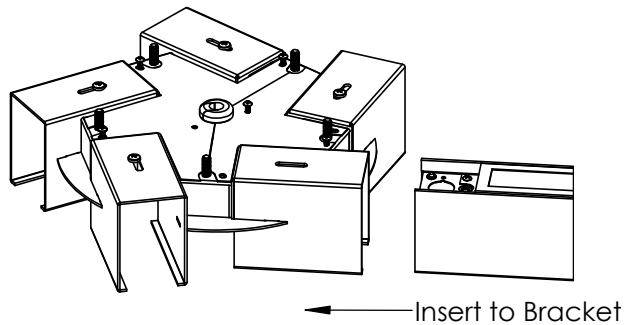
- Install the canopy with aircraft cables to the ceiling.
- Install the all thread to the unistrut bracing and thread down to the canopy.
- Insert the all thread thru the center hole in the canopy and use the provided decorative nut to secure the canopy to the ceiling.
- Tighten the decorative nut 1/4 turn using pliers or equivalent.

NOTE: Depending on the fan configuration, the number of aircraft cables may differ from what is shown. This instruction guide shows a -F5 configuration.

PLY23-Fans Installation Instructions

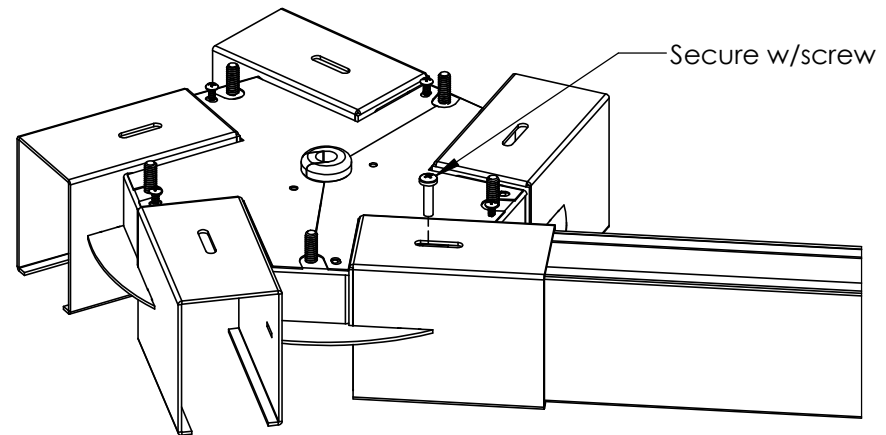
Step 4 - Install Fixtures to Center Bracket

A. Slide Fixture Into Bracket



- Slide L23 fixture into central bracket until the fixture end is flush against the inside of the bracket.
- Pull fixture wiring thru fixture end and into central bracket.

B. Secure Fixtures to Bracket



- Use provided machine screws to secure fixture ends to central bracket.
- Repeat this step to install all fixtures to the central bracket.

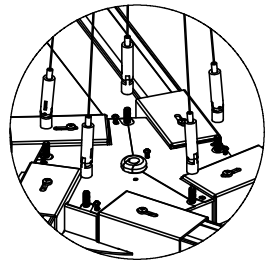
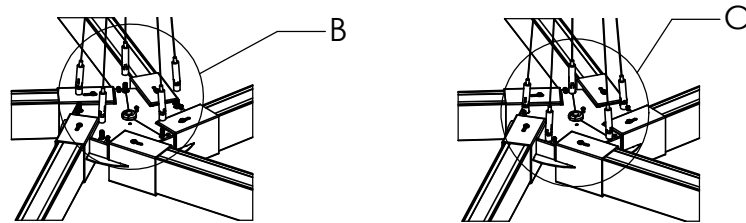
PLY23-Fans Installation Instructions

Step 5 - Mount the Assembly

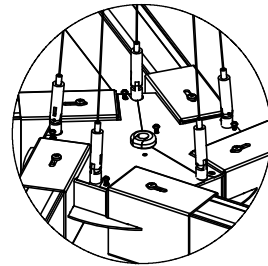


Texas Fluorescents Reinvented

A. Install Swivels to Bracket



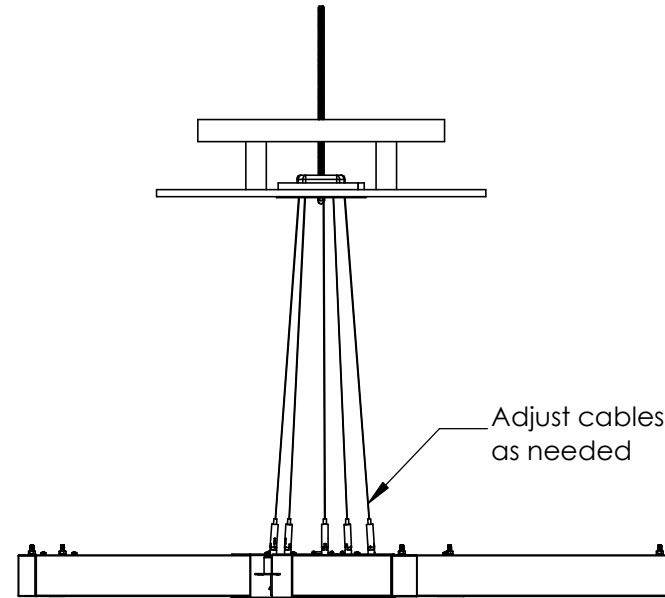
DETAIL B
SCALE 1 : 8



DETAIL C
SCALE 1 : 8

- Install the swivels to the PLY23 bracket assembly. Multiple people will be needed to lift the bracket and fixture assembly.
- Align the swivels such that the plane of rotation is oriented with the center of the bracket.
- Tighten the swivels 1/4 turn using pliers to ensure they are secured to the bracket.

B. Adjust Hanging Cables

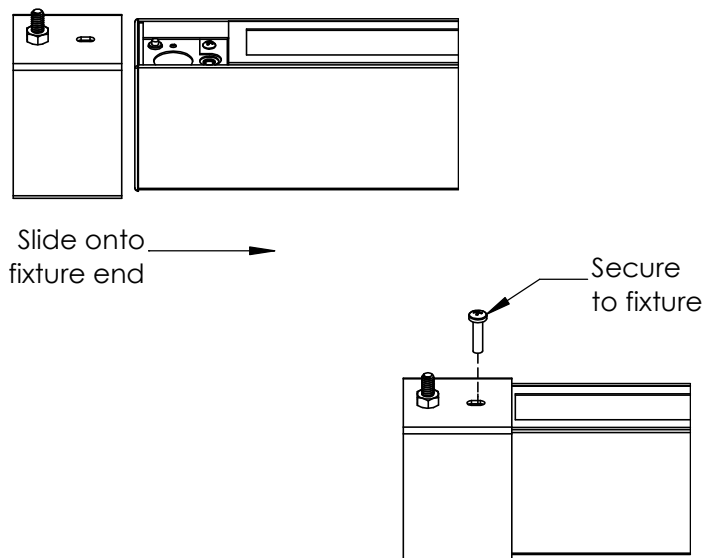


- Depress the clutches and slide the cables thru the swivels until desired length is reached. Snip excess cable as needed.

PLY23-Fans Installation Instructions

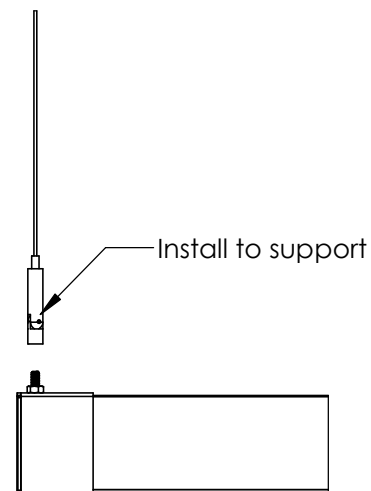
Step 5 - Mount the Assembly (Optional)

A. Install End Supports



- NOTE: This step is only for fan assemblies with L23 fixtures that are 4ft or longer.
- Slide provided end supports onto end of L23 fixtures until the slot on top of the support is aligned with the mounting hole of the fixture end.
- Use provided machine screws to secure the end support to the L23 fixture.

B. Attach Hanging Cables to Supports

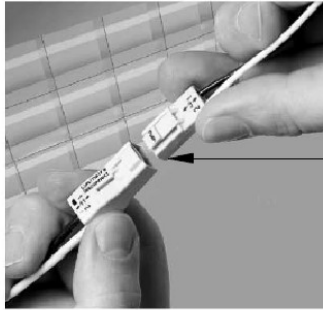


- Attach provided HC912 hanging kits to end support brackets.
- Tighten cable swivel 1/4 turn with pliers to full secure.
- Install hanging kits vertically above end supports, do NOT install cables at an angle as this may cause damage to the fixture assembly.

PLY23-Fans Installation Instructions

Step 6 - Wire and Level Assembly

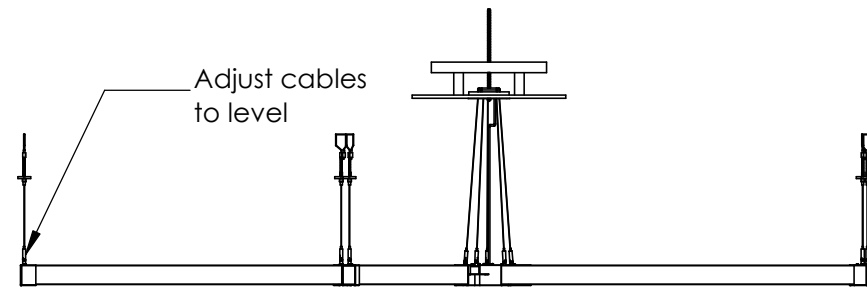
A. Wire the Assembly



WIRING LEGEND		
BLACK	HOT	Line Voltage
WHITE	NEUTRAL	Line Voltage
GREEN	GROUND	
GRAY	DIMMING	0-10V DC
VIOLET	DIMMING	0-10V DC

- Wire fixture assembly to incoming power supply according to all local, state, and national codes. Use UL approved connectors only. Utilize wiring legend shown above.
- Insert the power cable into the wire strain relief, and push the wire strain relief into the canopy until it clicks into place.

B. Level Assembly



- Make final adjustments of cables if needed, ensuring fixture is level.
- Fixture installation is now complete.