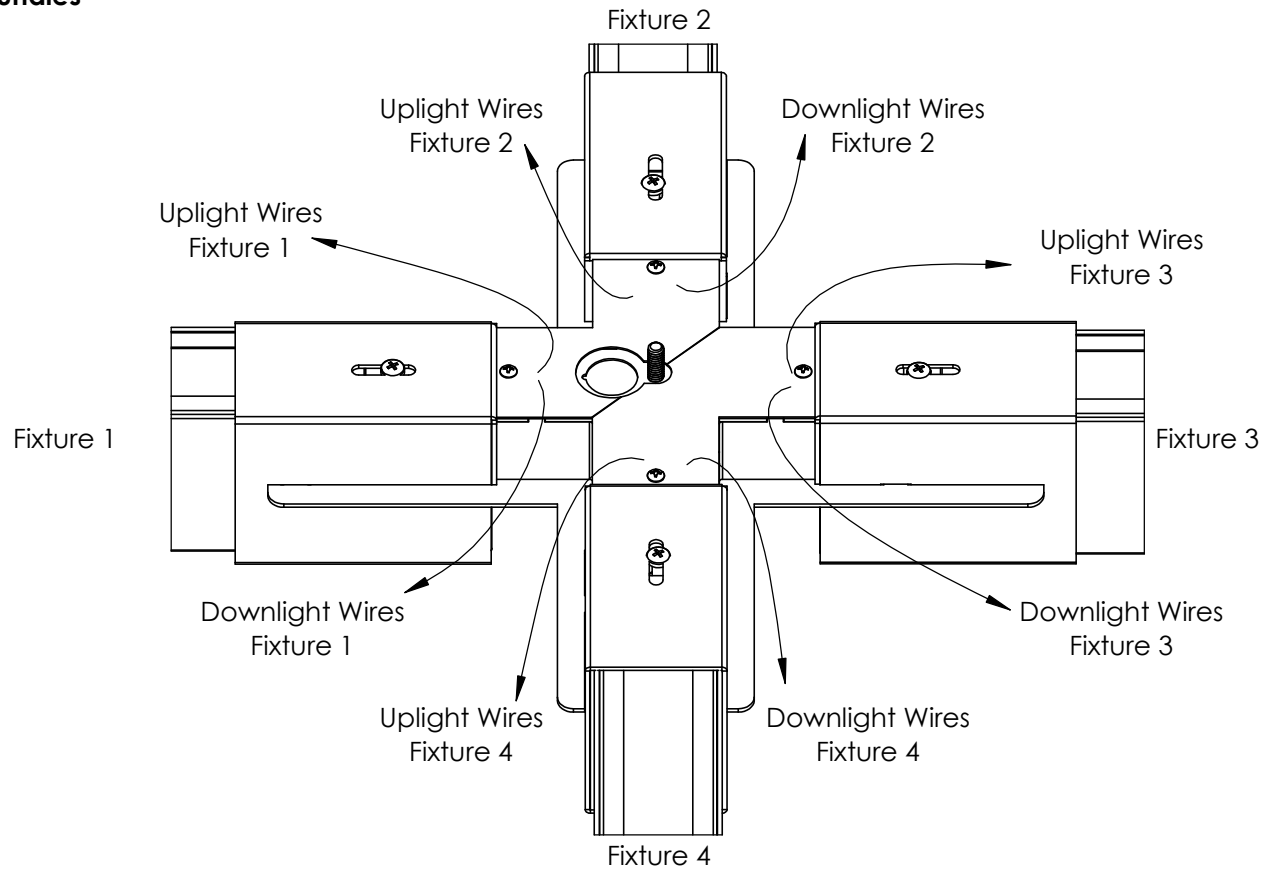


PLY23-Cross-Wiring Detail Instructions

Step 1 - Separate Uplight/Downlight Wiring

A. Split Fixture Wiring Bundles



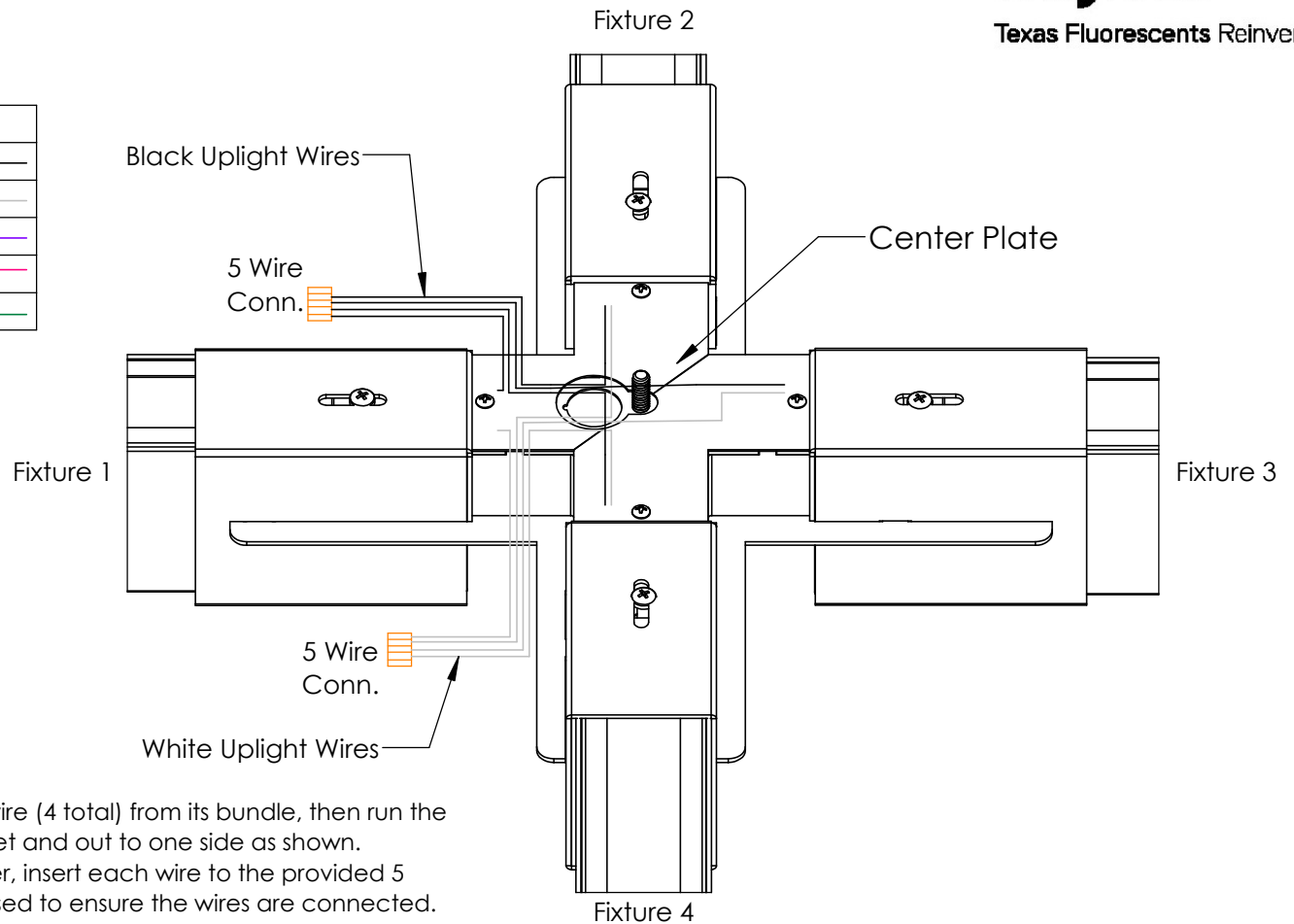
- Upon inserting each of the fixtures to the central bracket, pull thru and separate the wire bundles from each fixture. Uplight wiring will be labeled for all four fixtures.
- Pull uplight wiring bundles thru gaps in the top of the central bracket and off to one side. Pull the downlight wiring bundles thru the same gap and then off to the opposite side of the fixture.

PL23-Cross-Wiring-Detail Instructions

Step 2 - Connect Uplight Wiring

A. Connect Wire Color Sets

WIRING LEGEND		
BLACK	HOT	——
WHITE	NEUTRAL	——
PURPLE	DIMMING	——
PINK	DIMMING	——
GREEN	GROUND	——



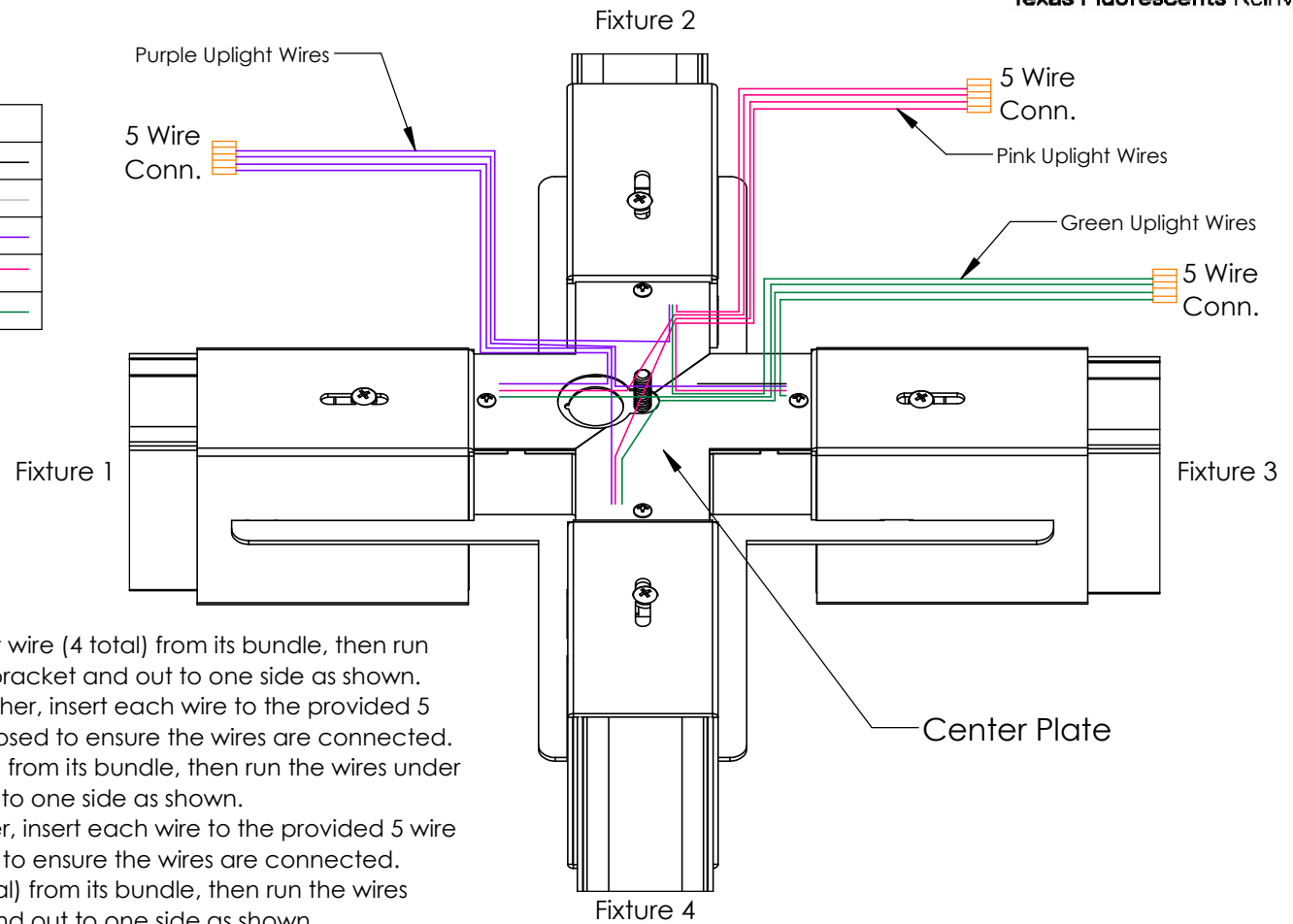
- Begin by separating each black uplight wire (4 total) from its bundle, then run the wires **under** the center plate of the bracket and out to one side as shown.
- Once all 4 black uplight wires are together, insert each wire to the provided 5 wire connectors. Snap the connector closed to ensure the wires are connected.
- Separate each white uplight wire (4 total) from its bundle, then run the wires under the center plate of the bracket and out to one side as shown.
- Once all 4 white uplight wires are together, insert each wire to the provided 5 wire connectors. Snap the connector closed to ensure the wires are connected.
- After connecting both sets of wires, push the connector and wires back into the central bracket housing and out of the way as much as possible.

PL23-Cross-Wiring-Detail Instructions

Step 2 - Connect Uplight Wiring (Cont'd)

A. Connect Wire Color Sets

WIRING LEGEND		
BLACK	HOT	—
WHITE	NEUTRAL	—
PURPLE	DIMMING	—
PINK	DIMMING	—
GREEN	GROUND	—



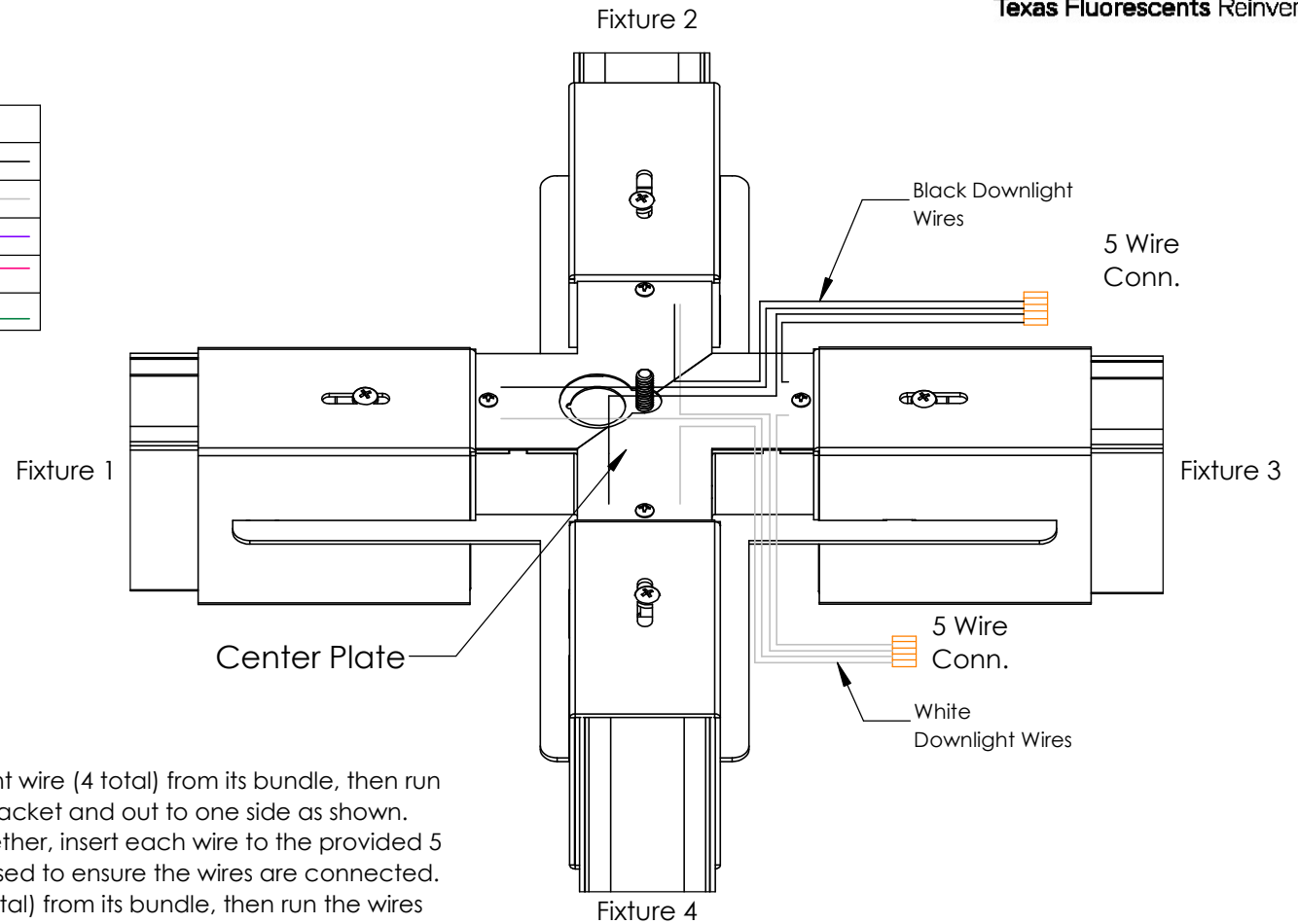
- Begin by separating each purple uplight wire (4 total) from its bundle, then run the wires **under** the center plate of the bracket and out to one side as shown.
- Once all 4 purple uplight wires are together, insert each wire to the provided 5 wire connectors. Snap the connector closed to ensure the wires are connected.
- Separate each pink uplight wire (4 total) from its bundle, then run the wires under the center plate of the bracket and out to one side as shown.
- Once all 4 pink uplight wires are together, insert each wire to the provided 5 wire connectors. Snap the connector closed to ensure the wires are connected.
- Separate each green uplight wire (4 total) from its bundle, then run the wires under the center plate of the bracket and out to one side as shown.
- Once all 4 green uplight wires are together, insert each wire to the provided 5 wire connectors. Snap the connector closed to ensure the wires are connected.
- After connecting all sets of wires, push the connector and wires back into the central bracket housing and out of the way as much as possible.

PLY23-Cross-Wiring-Detail Instructions

Step 3 - Connect Downlight Wiring

A. Connect Wire Color Sets

WIRING LEGEND		
BLACK	HOT	——
WHITE	NEUTRAL	——
PURPLE	DIMMING	——
PINK	DIMMING	——
GREEN	GROUND	——



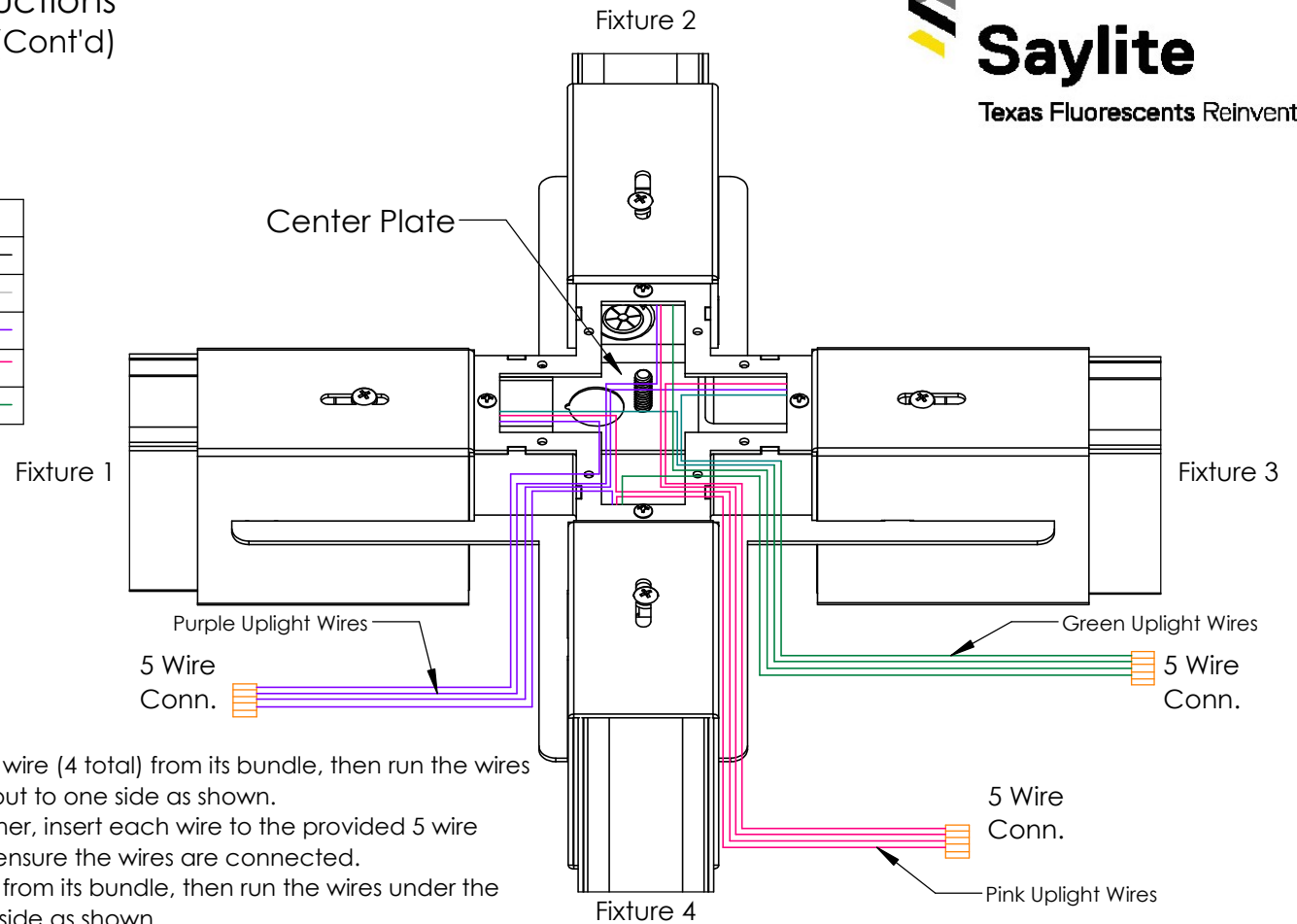
- Begin by separating each black downlight wire (4 total) from its bundle, then run the wires **under** the center plate of the bracket and out to one side as shown.
- Once all 4 black downlight wires are together, insert each wire to the provided 5 wire connectors. Snap the connector closed to ensure the wires are connected.
- Separate each white downlight wire (4 total) from its bundle, then run the wires under the center plate of the bracket and out to one side as shown.
- Once all 4 white downlight wires are together, insert each wire to the provided 5 wire connectors. Snap the connector closed to ensure the wires are connected.
- After connecting both sets of wires, push the connector and wires back into the central bracket housing and out of the way as much as possible.

PLY23-Cross-Wiring-Detail Instructions

Step 3 - Connect Downlight Wiring (Cont'd)

A. Connect Wire Color Sets

WIRING LEGEND		
BLACK	HOT	——
WHITE	NEUTRAL	——
PURPLE	DIMMING	——
PINK	DIMMING	——
GREEN	GROUND	——

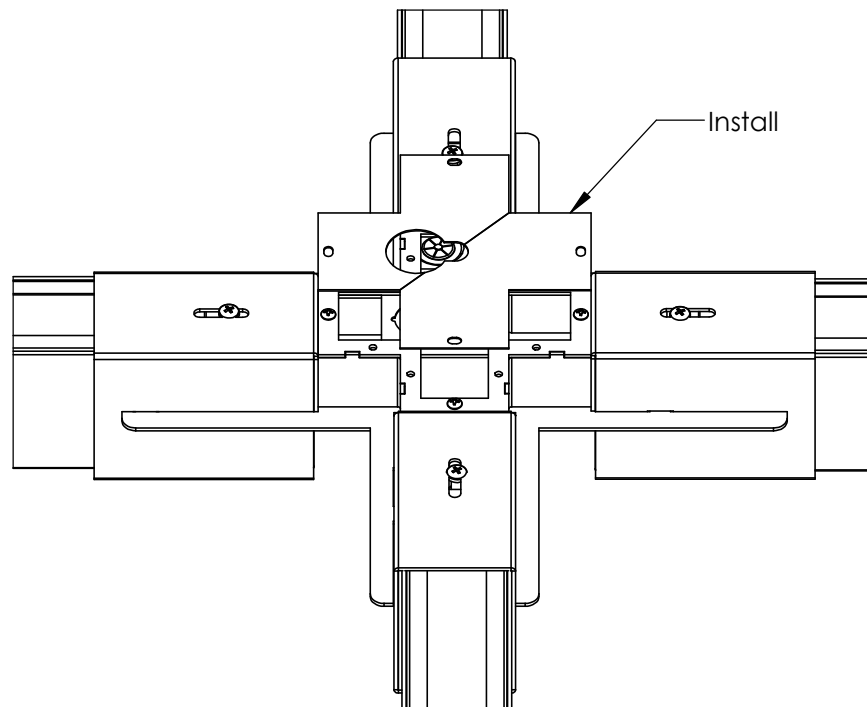


- Begin by separating each purple downlight wire (4 total) from its bundle, then run the wires **under** the center plate of the bracket and out to one side as shown.
- Once all 4 purple downlight wires are together, insert each wire to the provided 5 wire connectors. Snap the connector closed to ensure the wires are connected.
- Separate each pink downlight wire (4 total) from its bundle, then run the wires under the center plate of the bracket and out to one side as shown.
- Once all 4 pink downlight wires are together, insert each wire to the provided 5 wire connectors. Snap the connector closed to ensure the wires are connected.
- Separate each green downlight wire (4 total) from its bundle, then run the wires under the center plate of the bracket and out to one side as shown.
- Once all 4 green downlight wires are together, insert each wire to the provided 5 wire connectors. Snap the connector closed to ensure the wires are connected.
- After connecting all sets of wires, push the connector and wires back into the central bracket housing and out of the way as much as possible.

PLY23-Cross-Wiring-Detail Instructions

Step 4 - Install Cover Plate

A. Install Central Bracket Cover Plate



- After all wiring is connected and pushed inside central bracket, install the two (2) cover plates and secure with provided screws.
- Fixture assembly can be hung after central bracket wiring is connected and fixtures are secured to the central bracket.