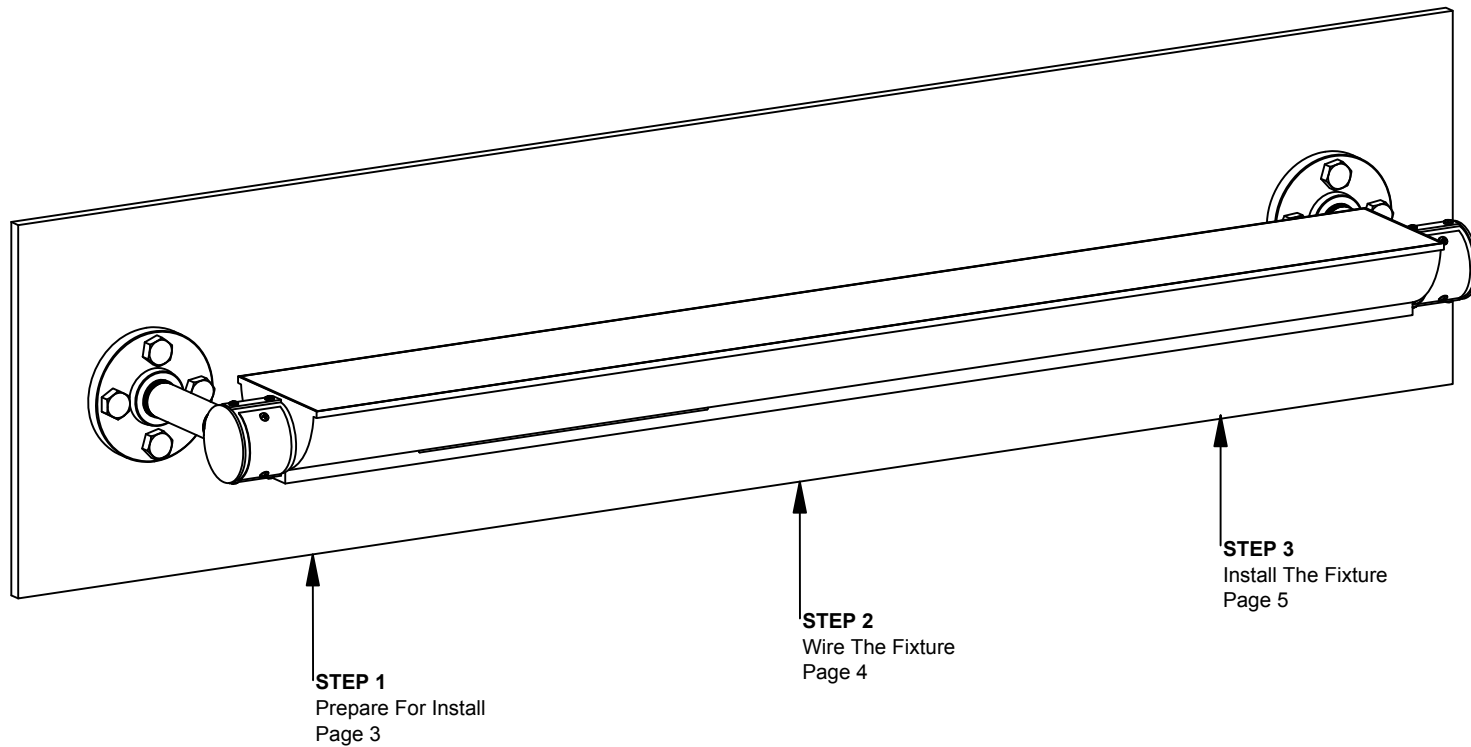


OSL Installation Instructions

Overview



- WARNINGS**
- This product must be installed in accordance with all applicable codes by a person familiar with the product.
 - Each fixture must be **properly supported** during install.
 - **DO NOT** join fixtures on the floor prior to lifting, or damage will occur.
 - **Before beginning installation**, review our complete list of warnings by visiting www.saylite.com/warnings.



We believe
in the power
of light.



Your particular build may vary.

2019© Saylite | 2055 Luna Road, Suite 142 Carrollton, Texas 75006 | www.saylite.com

1 of 5

Form BWE - OSL V1 11/19

OSL Installation Instructions

Preparation - Tools/Parts Identification



A. Identify Fixtures



- Use labels found on the box and inside fixture bodies to identify bodies.
- **NOTE:** Locations of labels can vary.
- Remove all fixtures from their boxes.
- Organize fixtures based on their labels at the install location.

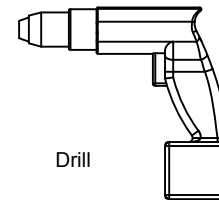
B. Tools Needed



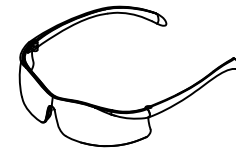
Phillips Screwdriver



Drill Bit



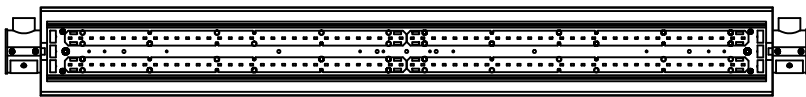
Drill



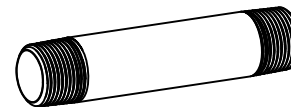
Safety Glasses

- Always use proper safety equipment when installing fixtures.
- Tools shown are recommended for standard install. Tools needed may vary based on actual install location conditions.

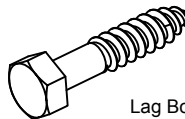
C. Identify Parts



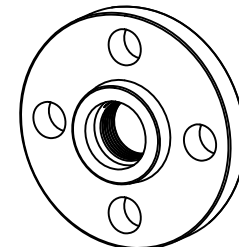
OSL Fixture
(Provided)



3/4" x 6" Threaded Pipe
Nipple (By Others)



Lag Bolt
(By Others)



Threaded Pipe Flange
(By Others)

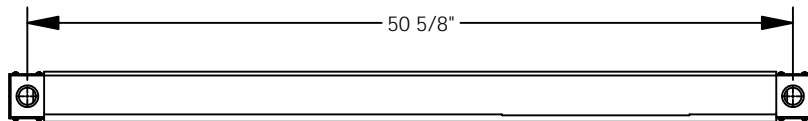
- Read entire install instructions before beginning installation.
- Unpack all components and arrange in order of install steps.
- For help with installation, please contact us at www.saylite.com or call us at (972) 247-3171.

OSL Installation Instructions

Step 1 - Prepare For Install

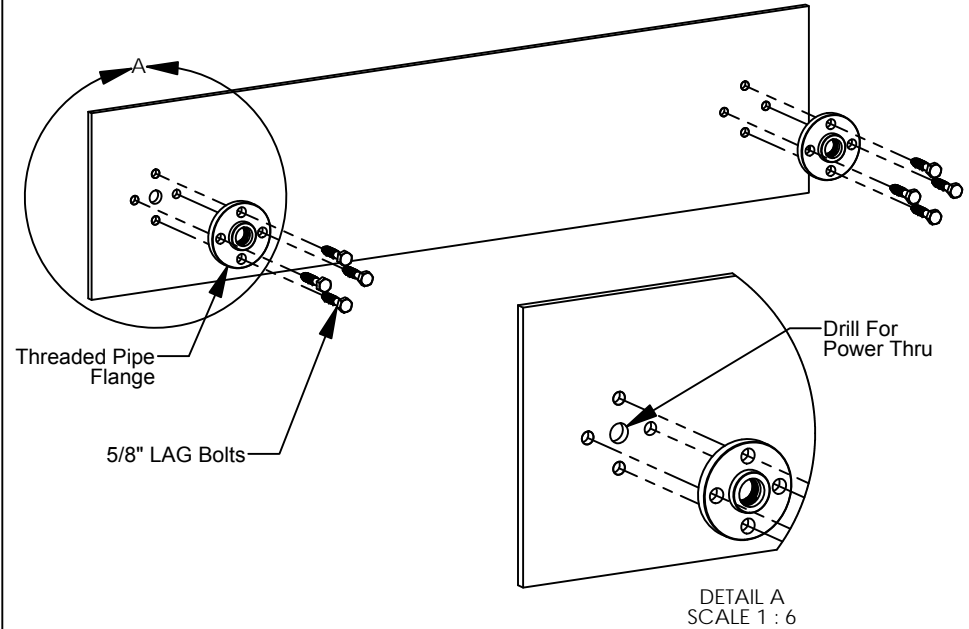


A. Transfer Measurements



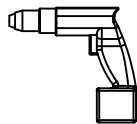
- Confirm that the distance shown between mounting locations above matches your fixture.
- Transfer the dimensions to the desired location on the mounting surface.

B. Mount Threaded Flange



- Determine the power side, then drill hole on center of transferred \varnothing for that side.
- After marking the mounting locations, install threaded pipe flanges (by others) as shown above.
- Secure the flanges with LAG bolts as shown.
- **Important: The MTG surface and hardware must be able to properly support the fixture weight.**

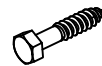
Items Used In This Step



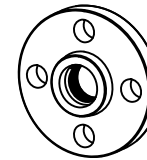
Drill



Drill Bit



LAG Bolt
(By Others)



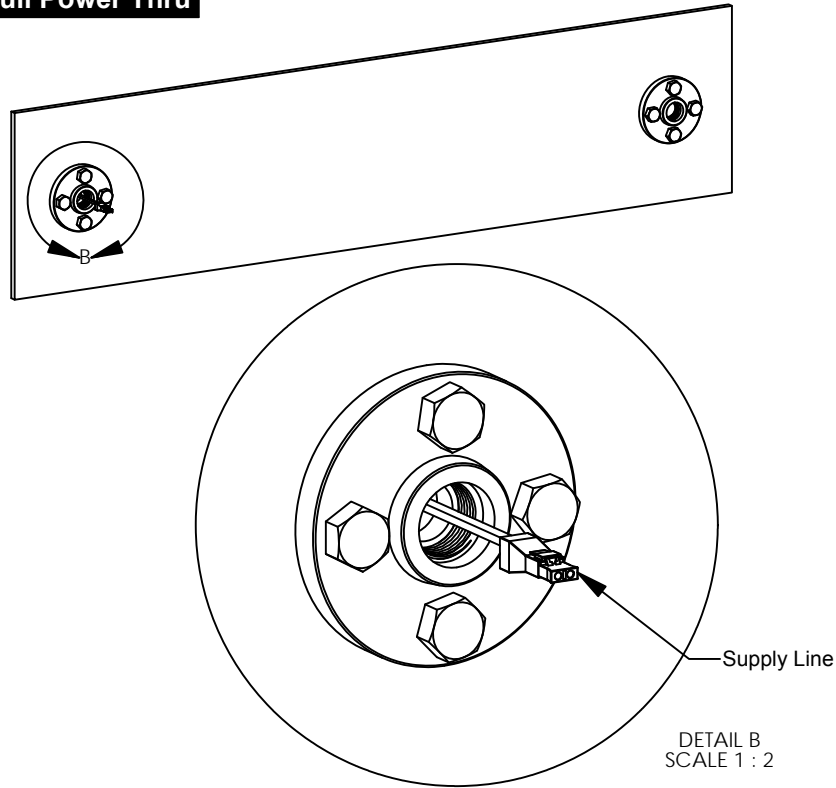
Threaded Pipe Flange
(By Others)

OSL Installation Instructions

Step 2 - Wire The Fixture

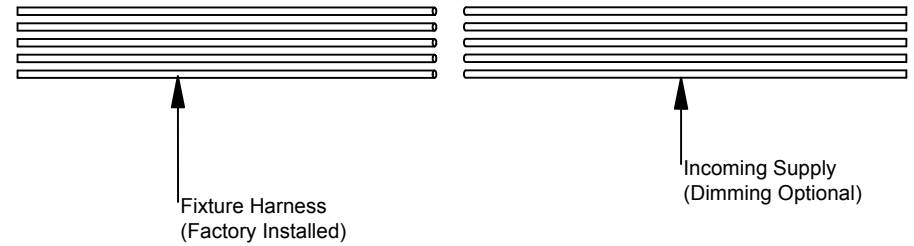


A. Pull Power Thru

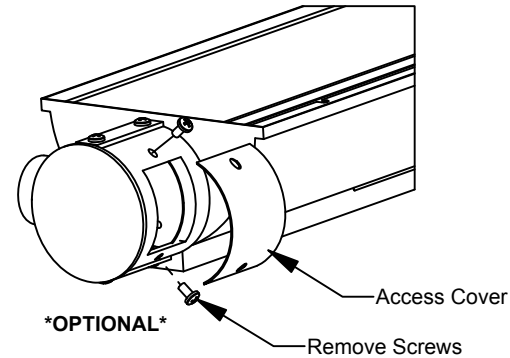


- Pull the supply line thru the hole drilled in the mounting surface and thru the installed pipe flange.

B. Connect The Wiring

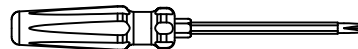


WIRING LEGEND		
Black	Hot	Line Voltage
White	Neutral	Line Voltage
Green	Ground	
Gray	Dimming	0-10V DC
Violet	Dimming	0-10V DC



- Wire the fixture to the incoming supply. Refer to the wiring legend above as needed.
- **Note:** Use UL approved connectors only. Follow all local, state and national codes.
- **Optional:** It may be necessary to remove the wire access cover by removing the (2) screws as shown.

Items Used In This Step



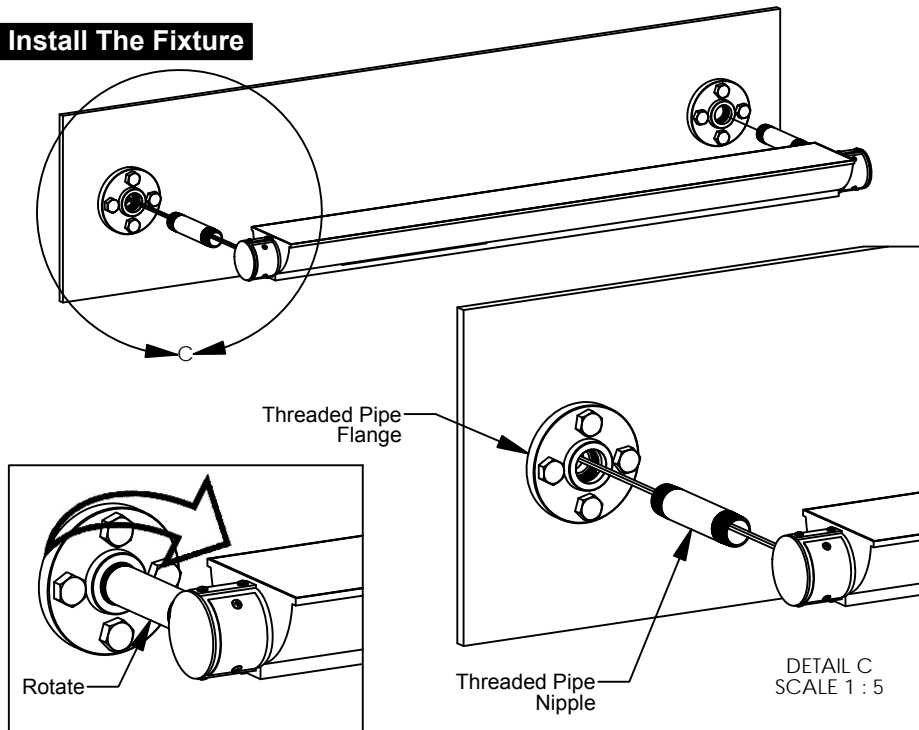
Phillips Screwdriver

OSL Installation Instructions

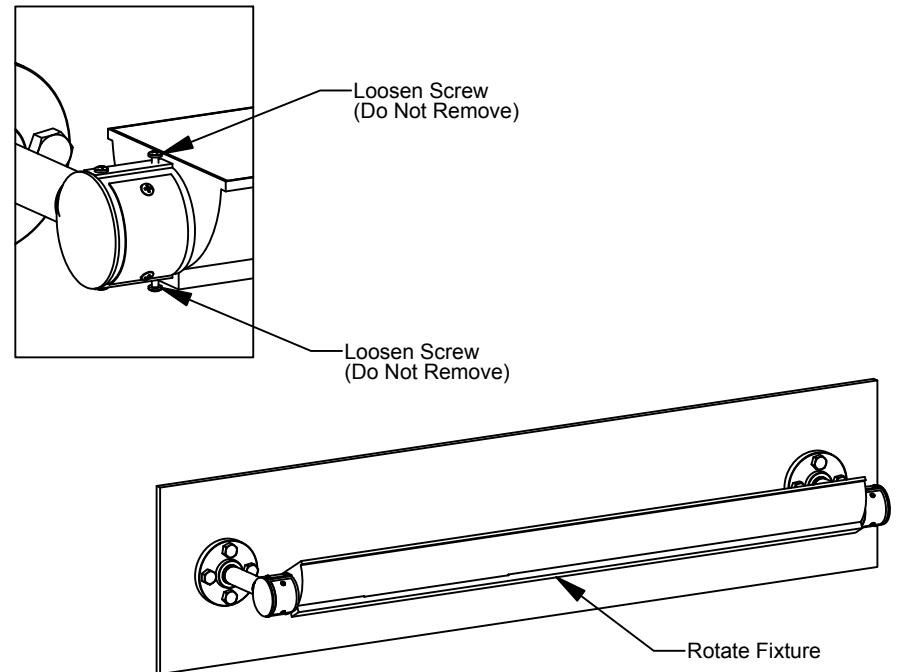
Step 3 - Install The Fixture



A. Install The Fixture



B. Adjust The Fixture



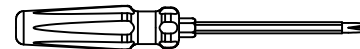
- Line up the fixture, the 1" x 6" threaded nipple, and the threaded pipe flange on both ends.
- Press all together, and rotate the threaded pipe nipples clockwise to tighten.

- To adjust the fixture, loosen (**DO NOT REMOVE**) the inside screws shown on each fixture end.
- Rotate the fixture body to the desired angle for best illumination.
- Tighten the screws again to secure the fixture. Install is now complete.

Items Used In This Step



3/4" x 6" Threaded Pipe Nipple (By Others)



Phillips Screwdriver