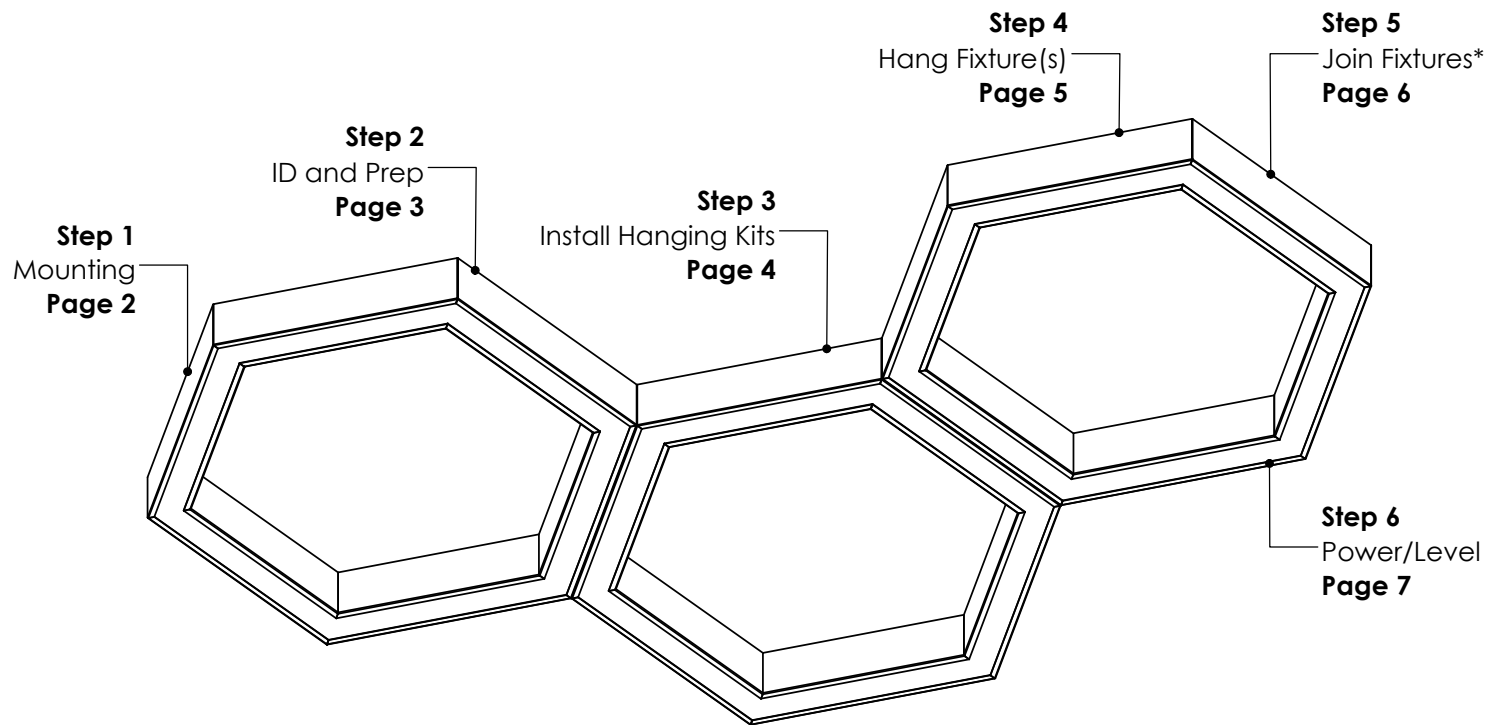


# LHC Installation Instructions

## Overview

### WARNINGS

- This product must be installed in accordance with all applicable codes by a person familiar with the product.
- Each fixture must be **properly supported** during install.
- **DO NOT** join fixtures on the floor prior to lifting, or damage will occur.
- **Before beginning installation**, review our complete list of warnings by visiting [www.saylite.com/warnings](http://www.saylite.com/warnings).



Your particular build may vary.

2022© Saylite | 2055 Luna Road, Suite 142, Carrollton, Texas 75006 | [www.saylite.com](http://www.saylite.com)

# LHC Installation Instructions

## Step 1 - Mounting and Suspension

### Mounting

#### Drywall or other hard surfaces - HC605/612 Hanging Kit\*

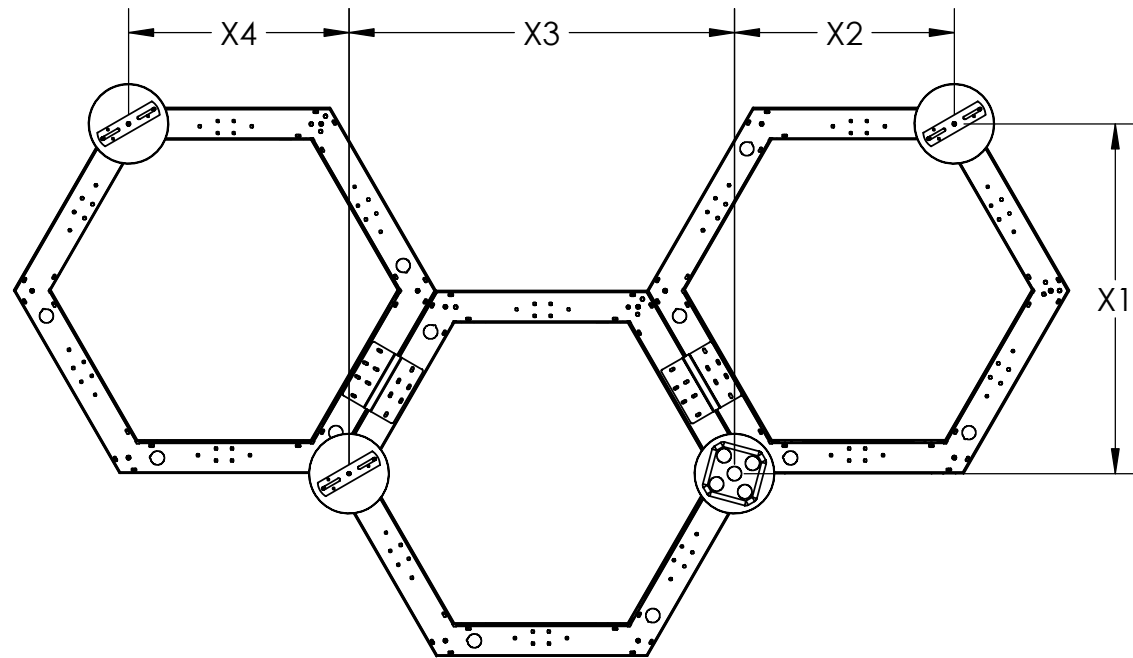
- Install hanging kits at suspension locations.
- Ensure hanging kits are secure.
- Prepare fixture for mounting.

Other hard surfaces include: wood, sheet metal panels, steel beams, concrete or masonry. Use hardware appropriate for each surface and material type.

#### Suspension Locations

**X** = Suspension Dimensions

Refer to Assembly Drawings and building plans to determine exact mounting, suspension points, and power feed locations.



**\*NOTE:** Other hanging kits available for use with this fixture include: bolt hangers, loop around unistrut kit, others. Please consult the factory for more information.

# LHC Installation Instructions

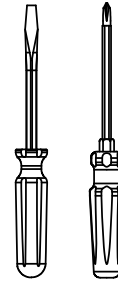
## Step 2 - Identification and Preparation

### A. Identify Fixtures

<b>SayliteLED</b> Texas Fluorescents Reinvented	
PART# LHCPFRLQDXXDMVXXX	
VOLTAGE: 120-277, 50/60HZ	CCT: XXXX
WATTAGE: XX MAX	DATE CODE: XX/XX/XX
FLUX: XXXX LUMENS	TYPE: XX

- Use labels found on the box and inside the fixture bodies to identify bodies.
- **NOTE:** Locations of labels can vary.
- Remove all fixtures from their boxes.
- Organize fixtures based on their labels at the install location.

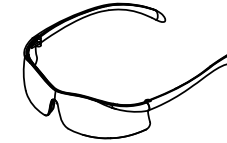
### B. Tools Needed



Screwdrivers



Pliers



Safety Glasses

- Always use proper safety equipment when installing fixtures.
- Tools shown are recommended for standard install. Tools needed may vary based on actual install location conditions.

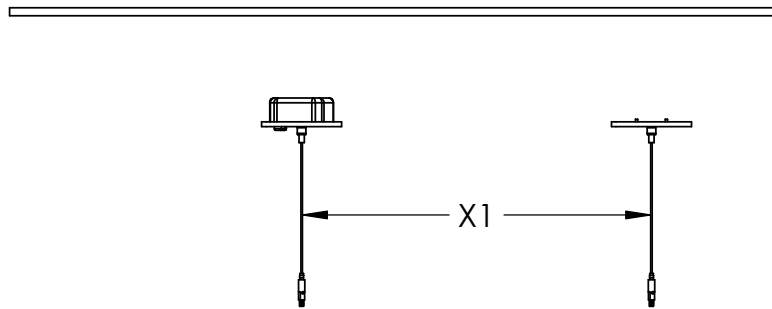
### Kitted Hardware

- Saylite has provided the items listed here, with their Saylite part numbers listed. These items can be found in separate boxes shipped with the fixture.
- Ensure all parts are accounted for and set them aside until needed.
- Any additional hardware needed for this installation will be provided by others.

# LHC Installation Instructions

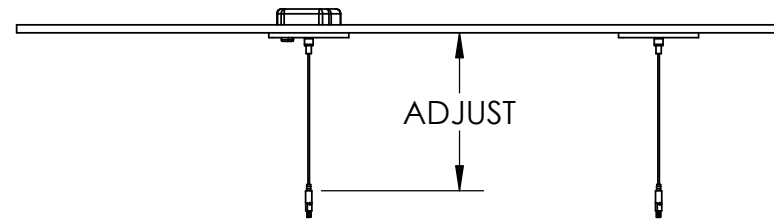
## Step 3 - Install Hanging Kits\*

### A. Install to Ceiling



- Install the hanging kits to the ceiling at the desired mounting locations.
- Ensure that hanging kits are properly secured.
- Refer to hanging kit installation guide for more information.

### B. Adjust Length



- Adjust hanging cables to desired length, cables can be further adjusted after fixture is installed.
- Refer to hanging kit installation guide for more information.

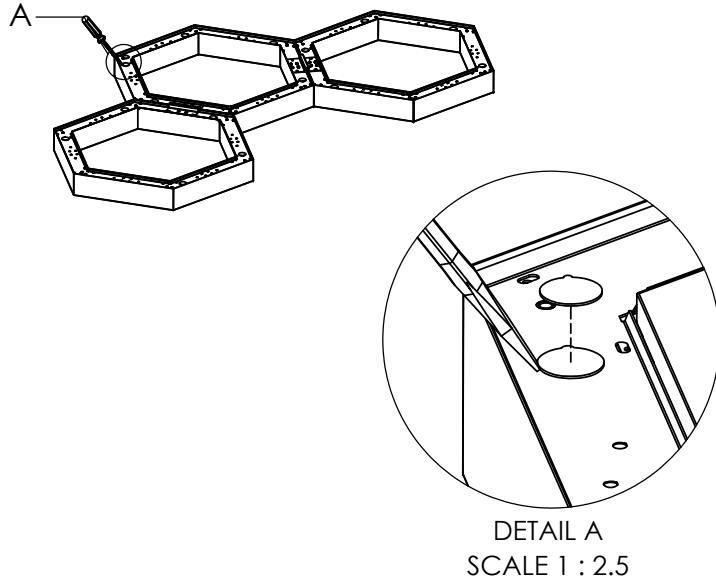
**\*NOTE:** Alternate hanging kits may be adjusted differently, refer to hanging kit guide for more information.

# LHC Installation Instructions

## Step 4 - Hang the Fixtures

### A. Remove Knockouts

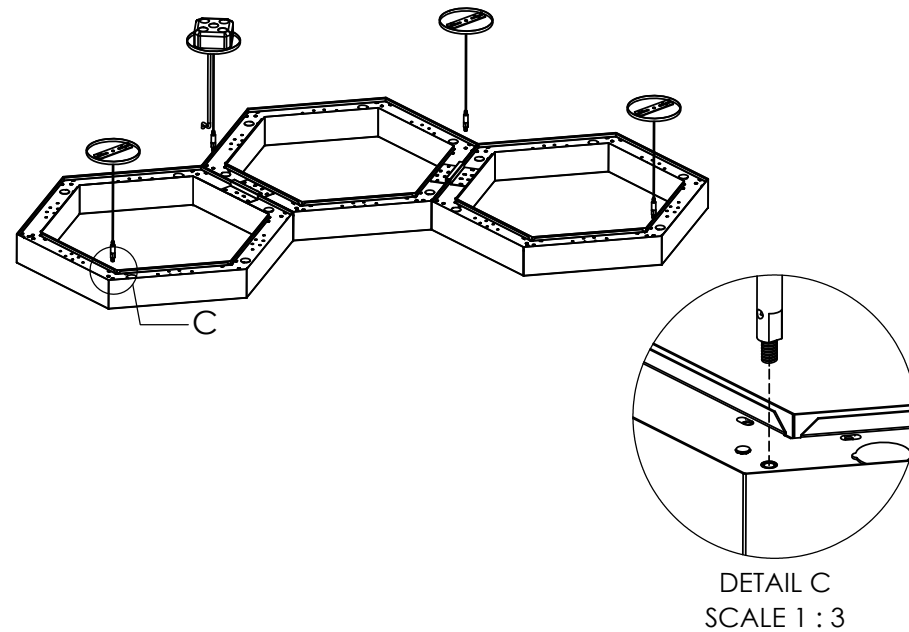
\*MOUNT SURFACE REMOVED FOR CLARITY\*



- Use a flat head screwdriver, gently pry on the 7/8" knockout on top of the fixture to expose power cable.

### B. Insert Cable to Cable Clutch

\*MOUNT SURFACE REMOVED FOR CLARITY\*



- Insert the hanging cables to the pre-installed cable clutch assemblies.
- Depress the clutch to slide the cable and adjust the length.

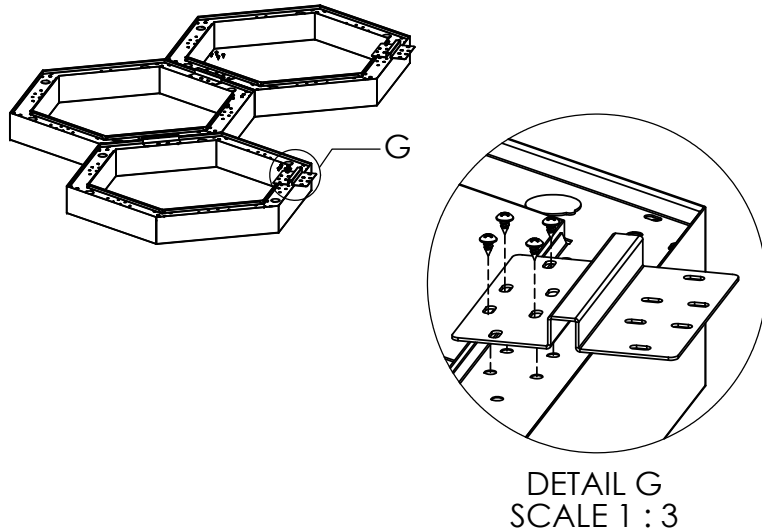
**NOTE:** When installing larger hexagons, install hexagon fixtures individually instead of grouped assemblies. Joining fixtures is covered on the following page.

# LHC Installation Instructions

## Step 5 - Join Fixtures (Optional)

### A. Install Joiner Bracket

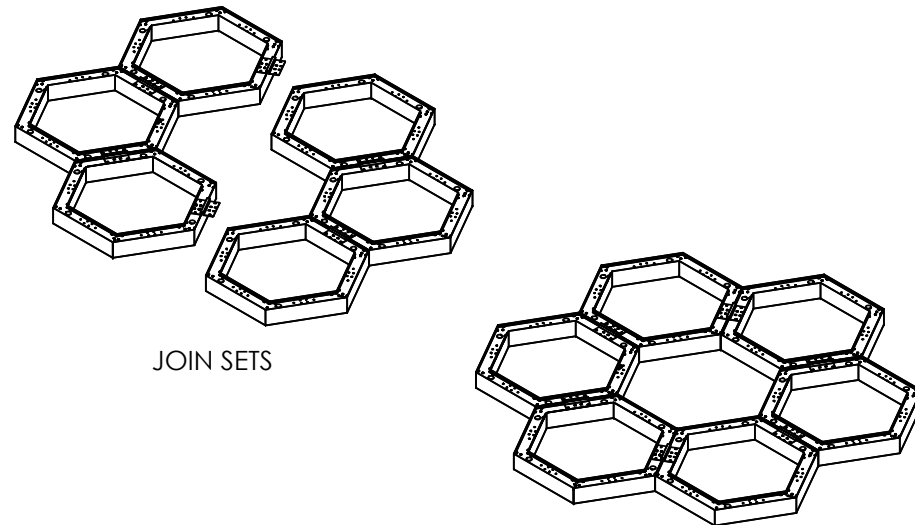
**\*MOUNT SURFACE & HANGING KITS REMOVED FOR CLARITY\***



- Install the joiner bracket at points where fixture sets connect. Refer to provided assembly drawings for fixture set connection points.
- Align the provided joiner bracket with the holes located near the middle of each fixture side.
- Secure the joiner bracket(s) to the fixture using provided #8 screws and a Philips screw driver.

### B. Secure Fixtures

**\*MOUNT SURFACE & HANGING KITS REMOVED FOR CLARITY\***



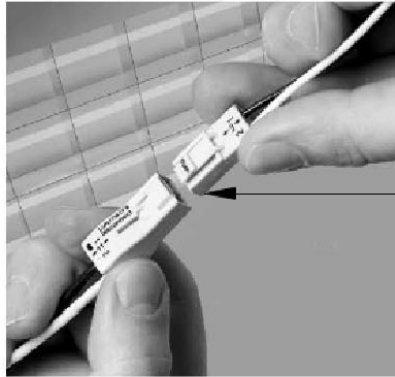
- Mount the joining fixture set to the installed hanging kits while supporting the side of the assembly that will connect to the previous fixture set.
- Secure the fixture sets to one another using the provided #8 screws and the installed joiner bracket.
- Install the screws to the joiner bracket and tighten to secure the fixture sets together.

**NOTE:** This step is only necessary when more than one fixture set is being installed. Be sure to hang adjoining fixture sets before this step.

# LHC Installation Instructions

## Step 6 - Power and Level Fixtures

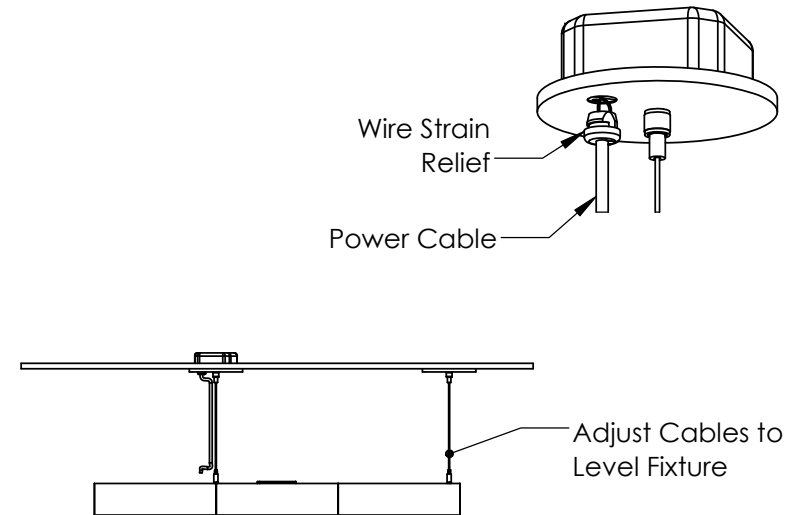
### A. Wire the Fixture(s)



WIRING LEGEND		
BLACK	HOT	Line Voltage
WHITE	NEUTRAL	Line Voltage
GREEN	GROUND	
GRAY	DIMMING	0-10V DC
VIOLET	DIMMING	0-10V DC

- Wire fixtures to the incoming power supply using the provided quick disconnect clip as shown.
- For dimming option, refer to wiring legend above.
- Use UL approved connectors only. Follow all local, state and national codes. Repeat for all remaining fixtures.

### B. Level the Assembly



- After connecting the fixture wiring, secure the power cable to the canopy.
- Insert the power cable into the wire strain relief, and push the wire strain relief into the canopy until it clicks into place.
- If needed, adjust cables to level assembly.
- Fixture installation is now complete.

**NOTE:** When multiple fixture sets are installed it may be necessary to have multiple power feed locations. Consult a licensed professional electrician to determine where extra power feed locations are needed.