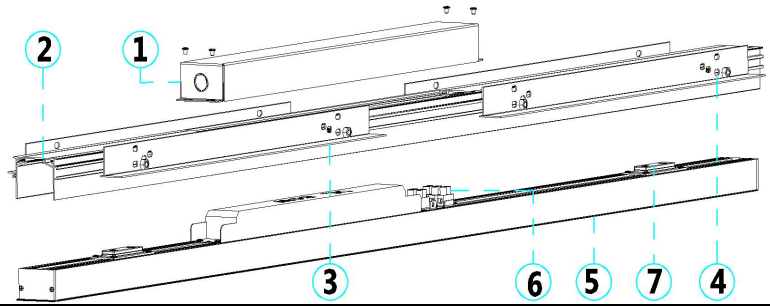


Installation instruction:



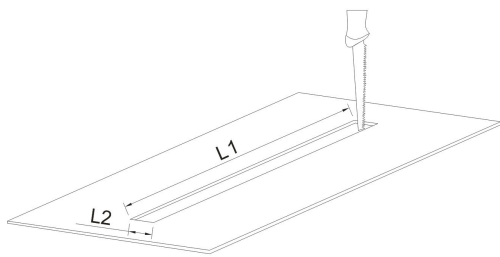
Recessed accessories

- ① Driver box
- ② 4FT Shell
- ③ Perforated flanged for 4FT /4pcs
- ④ Adjustment hole of installation height
- ⑤ 4FT fixture
- ⑥ Power input and the connection port
- ⑦ Magnet for install

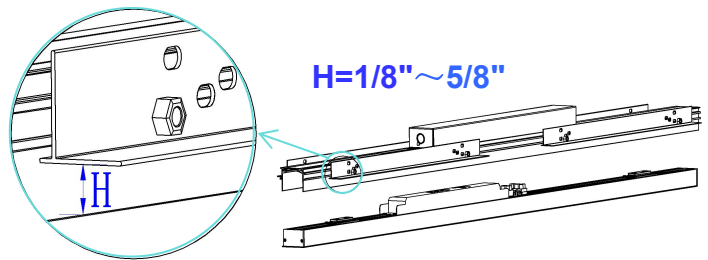


Installation step:

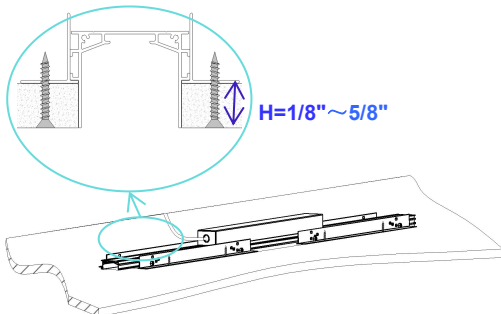
(1) Drill installation holes and wiring hole as per scale by "L"



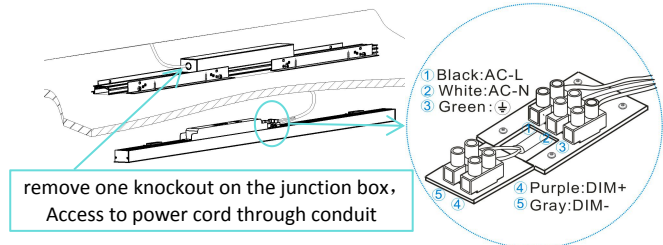
(2) Adjust installation wing to the desired height and secure to the fixture.



(3) Fix 4FT Shell in the slot



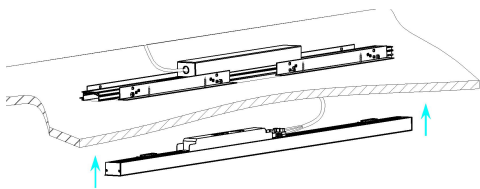
(4) Connect the lamp input line in outlet box by matching color with the incoming supply. Install the strain relief prior to running the power cord.



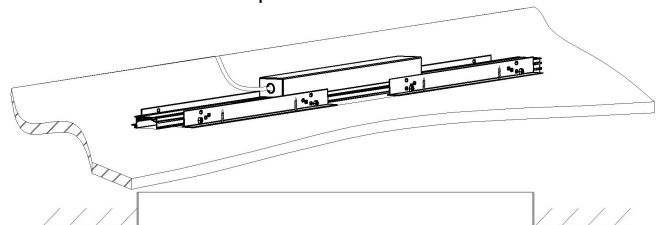
remove one knockout on the junction box, Access to power cord through conduit

Note: connect to ①、②、③ only if do not need to use dimming function, no need to connect ④、⑤

(5) Install 4ft fixture to 4ft Shell



(6) Installation is now complete.



Recessed installation parameter

Size	1227mm (4.03Ft)
L1 scale	1229mm (4.03Ft) ±1mm
L2 scale	38mm (0.125Ft)

Attention:

1. Please read instruction seriously before assembly & installation, lighting fixture must be assembled according to instruction by qualified & licensed electrician. Anything unclear please contact to manufacturer or local distributor.
2. The electric source must be cut off before assembly & installation or remove.
3. The lighting fixture is used only for indoor, the aim to avoid the risk of fire or electric shock, please do not use it for outdoor, vibrant, dusty and high humidity environment.
4. The aim to make sure not to shorten the life time of lighting fixture and keep safety, please do not modify, add or change any component.
5. Please cut off electric source immediately if any abnormality occur so that avoid any danger or malfunction, and lighting fixture must be checked and repaired by professional technician.