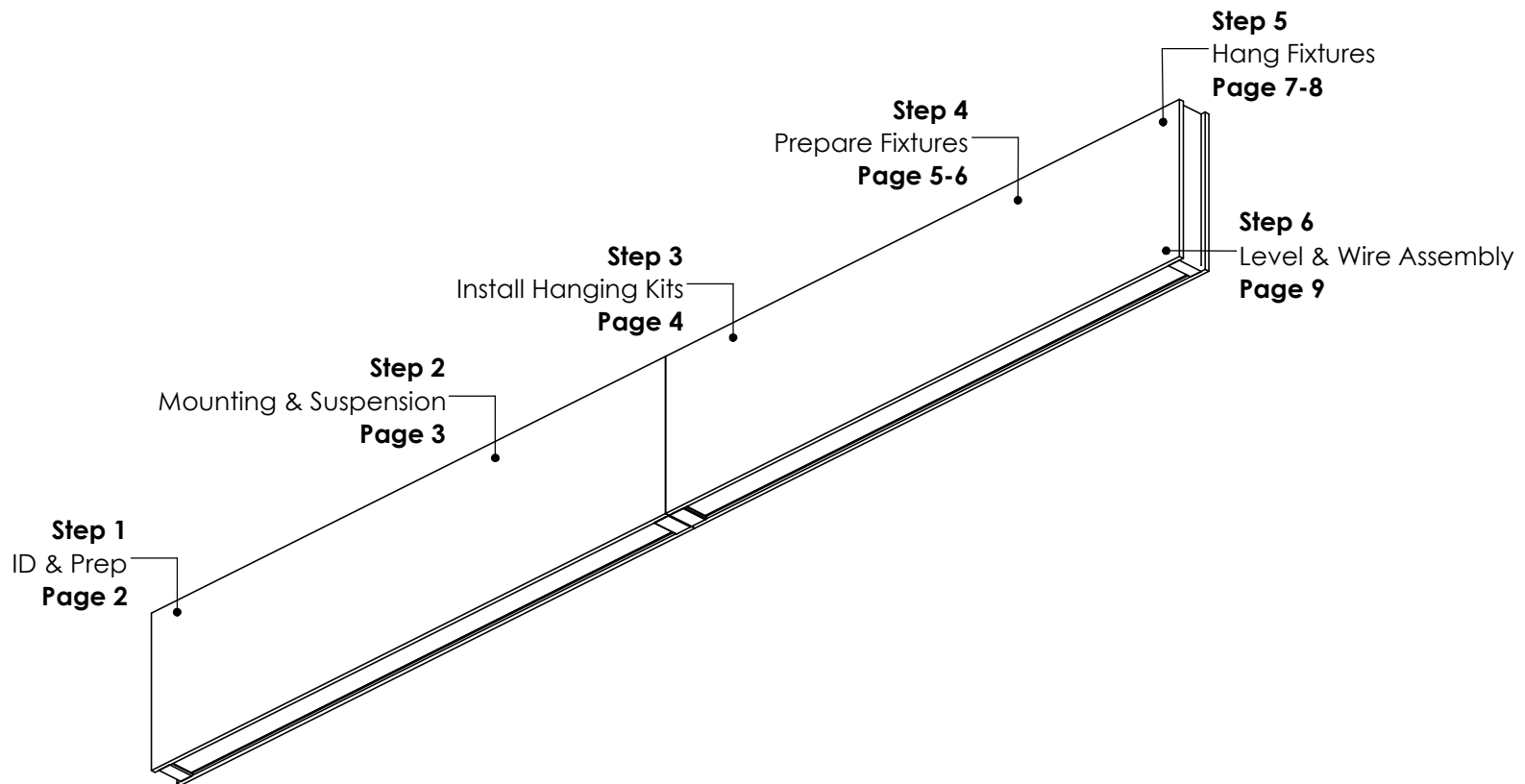


# LAB-Continuous Run Installation Instructions

## Overview

### WARNINGS

- This product must be installed in accordance with all applicable codes by a person familiar with the product.
- Each fixture must be **properly supported** during install.
- **DO NOT** join fixtures on the floor prior to lifting, or damage will occur.
- **Before beginning installation**, review our complete list of warnings by visiting [www.saylite.com/warnings](http://www.saylite.com/warnings).



Your particular build may vary.

2022© Saylite | 2055 Luna Road, Suite 142, Carrollton, TX 75006 | [www.saylite.com](http://www.saylite.com)

# LAB-Continuous Run Installation Instructions

## Step 1 - Identification and Preparation

### A. Identify Fixtures

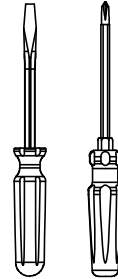
<b>SayliteLED</b> Texas Fluorescents Reinvented	
PART# LAB23(BR/JR/ER)P0x0xSF-TxJxN1000-xx00xFxX	
VOLTAGE: 120-277V, 50/60HZ	CCT: XXXX K
WATTAGE: XX MAX	DATE CODE: XX/XX/XX
FLUX: XXXX LUMENS	TYPE: XX

- Use labels found on the box and inside the fixture bodies to identify bodies.
- **NOTE:** Locations of labels can vary.
- Remove all fixtures from their boxes.
- Organize fixtures based on their labels at the install location.

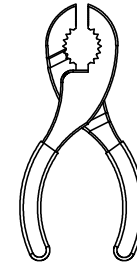
### Kitted Hardware

- Saylite has provided the items listed here, with their Saylite part numbers listed. These items can be found in separate boxes shipped with the fixture.
- Ensure all parts are accounted for and set them aside until needed.
- Any additional hardware needed for this installation will be provided by others.

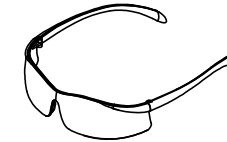
### B. Tools Needed



Screwdrivers



Pliers



Safety Glasses

- Always use proper safety equipment when installing fixtures.
- Tools shown are recommended for standard install. Tools needed may vary based on actual install location conditions.

# LAB-Continuous Run Installation Instructions

## Step 2 - Step Description

### Mounting

#### Drywall or other hard surfaces - HC 605 Hanging Kit\*

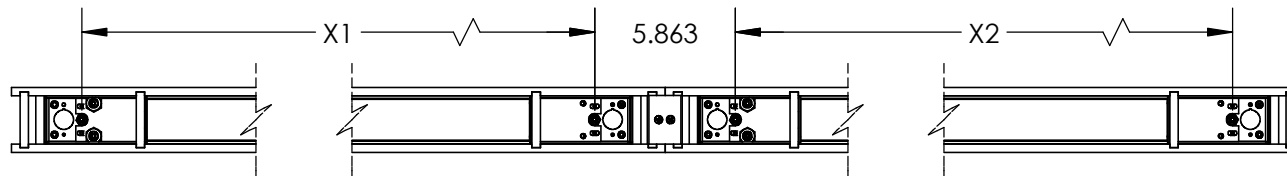
- Install hanging kits at suspension locations.
- Ensure hanging kits are secure.
- Prepare fixture for mounting.

Other hard surfaces include: wood, sheet metal panels, steel beams, concrete or masonry. Use hardware appropriate for each surface and material type.

### Suspension Locations

X = Suspension Dimensions

Refer to Assembly Drawings and building plans to determine exact mounting, suspension points, and power feed locations.



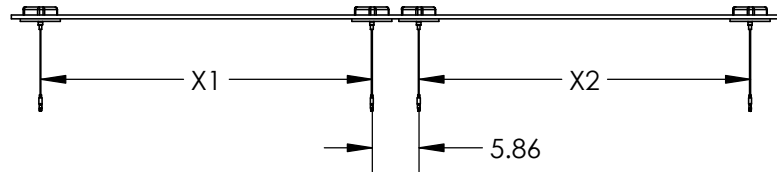
# LAB-Continuous Run Installation Instructions

## Step 3 - Install Hanging Kits



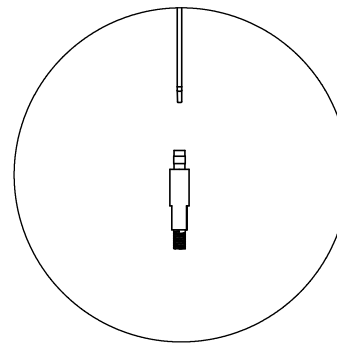
Texas Fluorescents Reinvented

### A. Install Hanging Kits

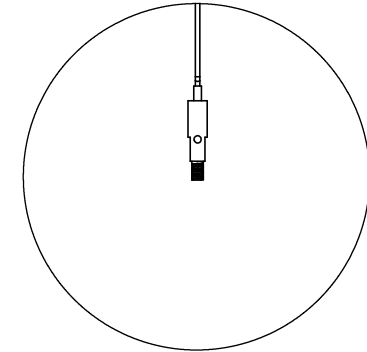


- Install the hanging kits at the desired mounting locations.
- Ensure the hanging kits are securely mounted.
- Refer to hanging kit installation guide for more details.

### B. Swap Out Cable Grippers



DETAIL A  
REMOVE M5 GRIPPER  
SCALE 1 : 4



DETAIL B  
INSTALL 1/4-20 GRIPPER  
SCALE 1 : 4

- \*NOTE: Check currently attached cable grippers before completing this step. If 1/4-20 gripper is attached skip to next page.
- Remove the M5 threaded cable gripper from the cable. Depress the clutch on the top of the gripper and pull the cable out through the top of the gripper.
- Attach the 1/4-20 threaded cable grippers. Depress the cable clutch on top of the gripper and insert the fused end of the cable through the gripper. Pull cable thru as needed to adjust cable length.

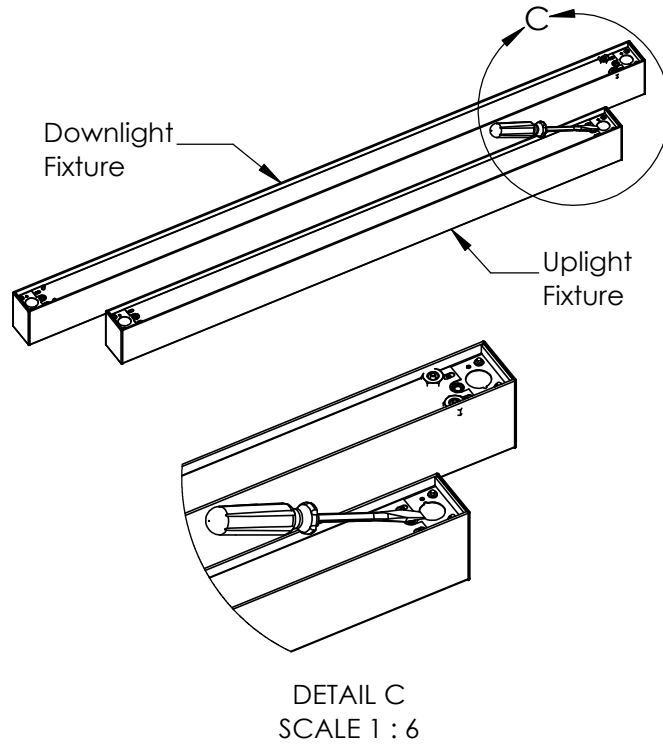
# LAB-Continuous Run Installation Instructions

## Step 4 - Prepare Fixture(s) for Acoustic Assembly



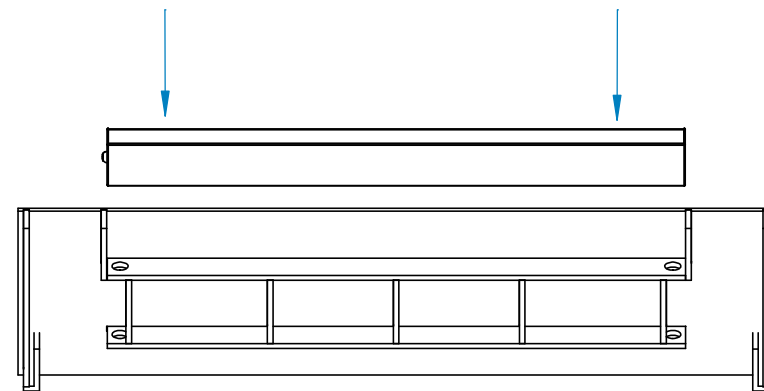
Texas Fluorescents Reinvented

### A. Install to Hanging Cables



- Using a gentle prying motion, remove the desired power knockout(s) from the fixture(s) using a flat head screwdriver.
- Pull the power connector out from the removed knockout.

### B. Prepare Fixture Wiring



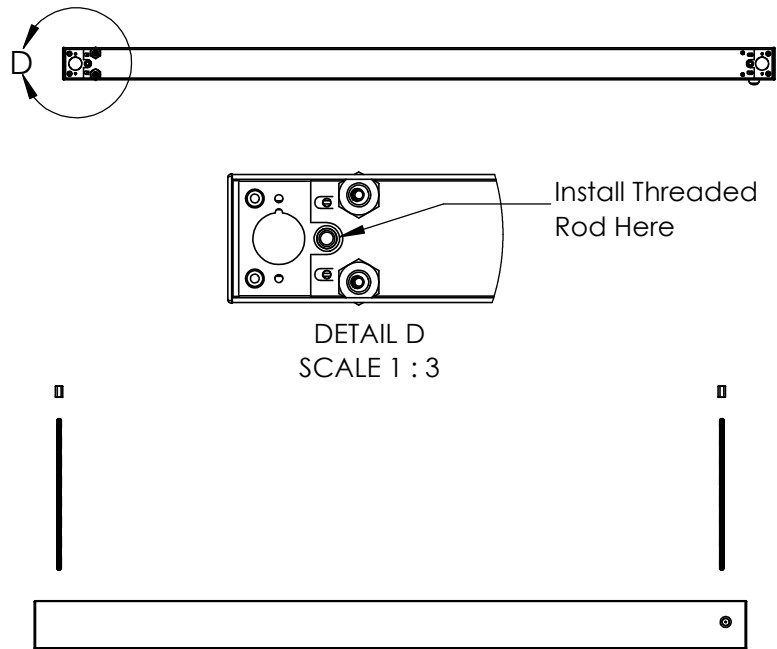
**\*Side Panel Hidden for Clarity\***

- \*NOTE: If no uplight is needed, continue to next page.
- Lay the uplight fixture into the top channel of the acoustic assembly.
- Pull uplight fixture wiring thru desired wireway on either end of the top channel.

# LAB-Continuous Run Installation Instructions

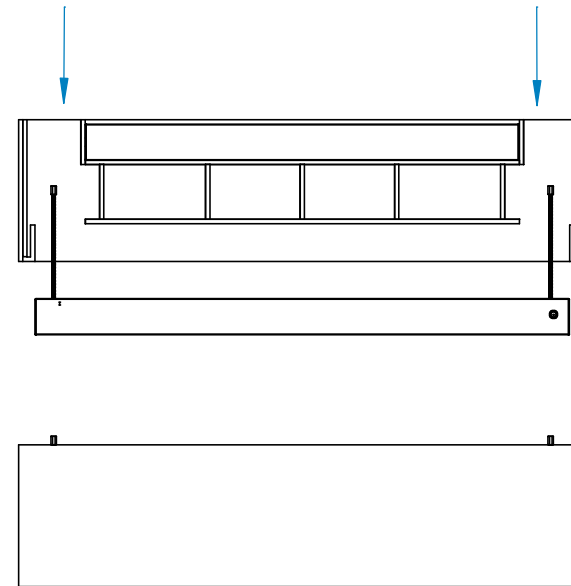
## Step 4 - Prepare Fixture(s) for Acoustic Assembly (Cont'd)

### A. Hang Extender/End



- Install the 1/4-20 threaded rod (not provided) to the mounting hole shown in Detail C.
- Install the threaded rod coupler onto the top of the threaded rod.

### B. Secure Extender Between Fixtures



- Place the downlight fixture on a soft, flat surface with the lens facing the ground.
- Gently slide the acoustic baffle with optional upright fixture over the top of the threaded rods, and down onto the downlight fixture.
- Be sure to pull the downlight fixture wiring through the opening opposite of the upright fixture wiring.

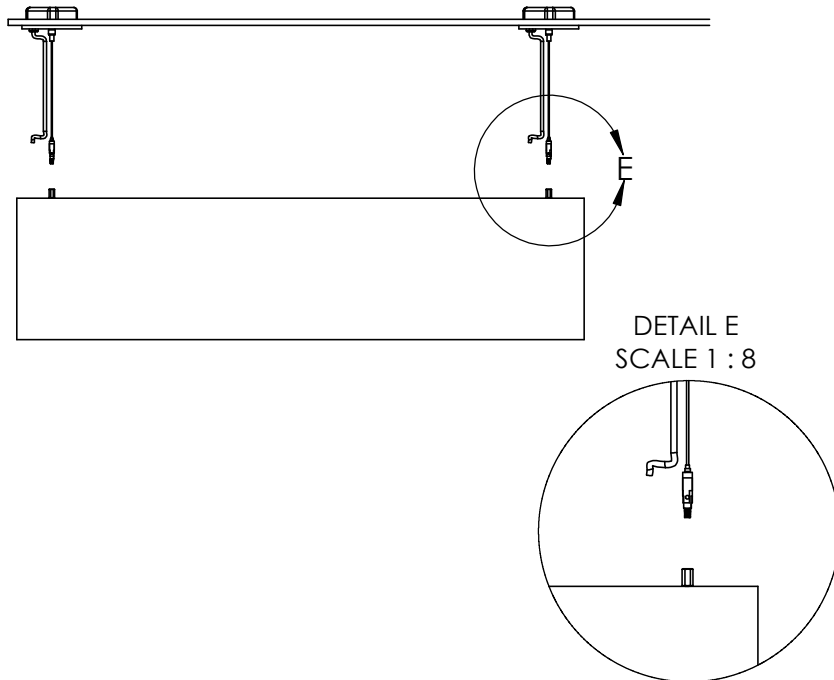
# LAB-Continuous Run Installation Instructions

## Step 5 - Hang Fixtures



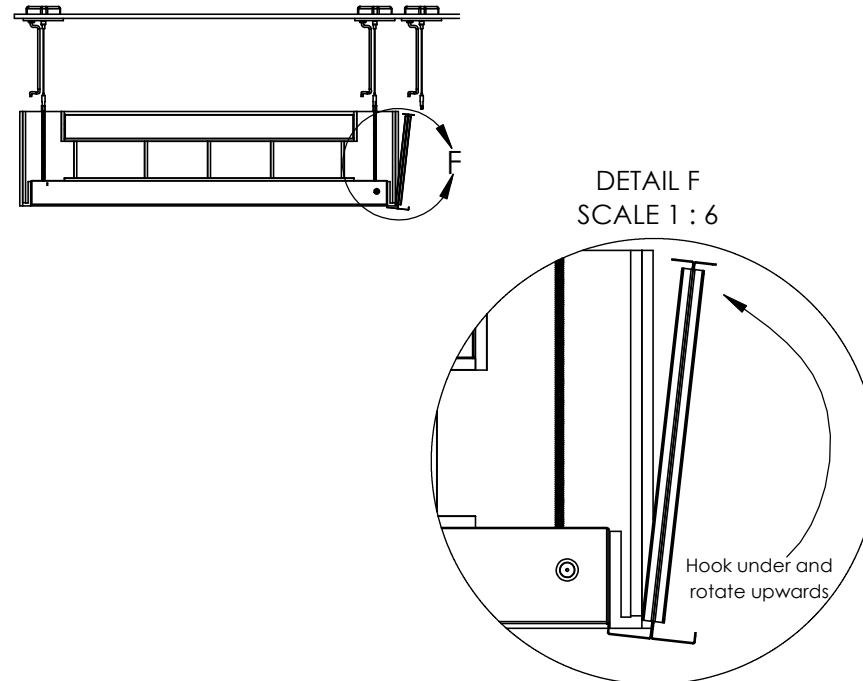
Texas Fluorescents Reinvented

### A. Hang Beginner Fixture



- CAUTION: Do NOT lift acoustic assembly from ends of acoustic material only. Ensure that downlight fixture is supported during lifting if present, otherwise downlight fixture may be damaged.
- Insert the threaded end of the 1/4-20 threaded cable grippers into the threaded coupler to install the fixture. Use pliers or a wrench to secure the fixture, tighten 1/4 turn.

### B. Insert Continuous Run Bracket



- Insert the continuous run bracket to the end of the acoustic assembly.
- Hook the lower flange of the bracket on the bottom end of the acoustic assembly, then rotate the bracket upward until the top bracket flange is resting on top of the acoustic assembly.

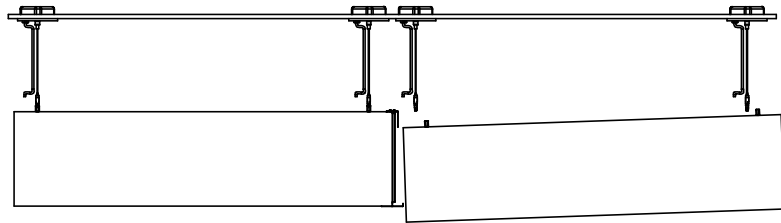
## LAB-Continuous Run Installation Instructions

### Step 5 - Hang the Fixtures (Cont'd)



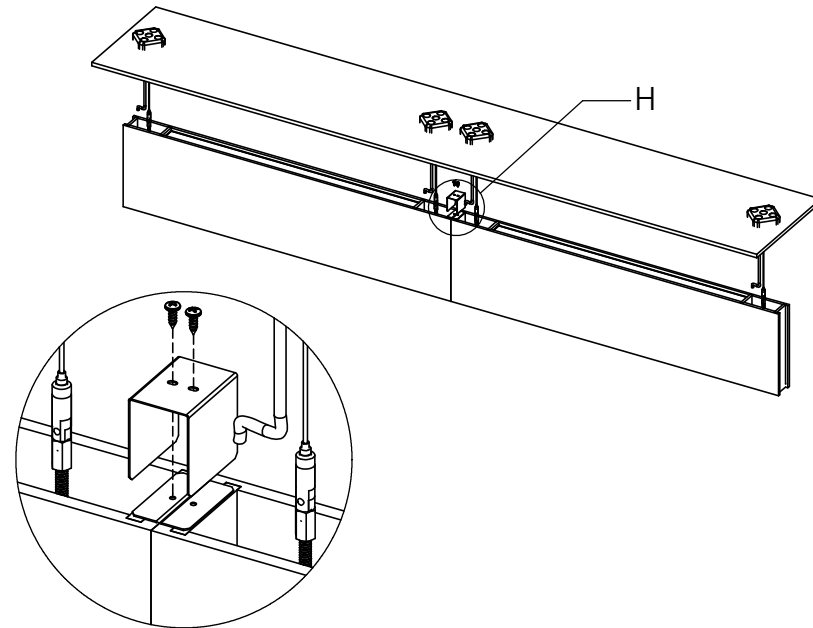
Texas Fluorescents Reinvented

#### C. Install the Joining Fixture(s)



- Hang the joiner/ender fixture from the installed hanging kits.  
CAUTION: Do NOT lift acoustic assembly from ends of acoustic material only. Ensure that downlight fixture is supported during lifting if present, otherwise downlight fixture may be damaged.
- Insert the threaded end of the 1/4-20 threaded cable grippers into the threaded coupler to install the fixture. Use pliers or a wrench to secure the fixture, tighten 1/4 turn.
- Next, hook the lower end of the joiner acoustic assembly onto the continuous run bracket, then rotate the assembly upward to hold the continuous run bracket in place.

#### D. Secure the Continuous Run Bracket



DETAIL H  
SCALE 1 : 4

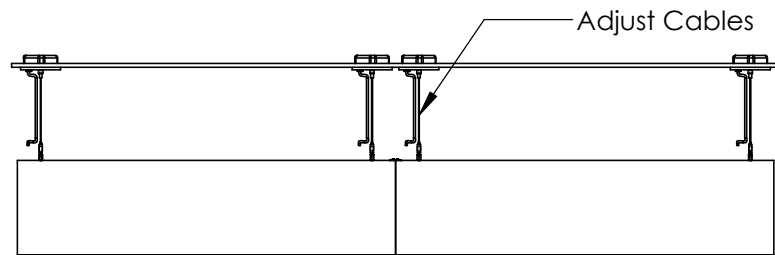
- Once the joiner/ender fixture is in place, slide the cap of the continuous run bracket over the joint of acoustic material.
- Use provided screws to secure the continuous run bracket to the acoustic assembly. Do NOT overtighten screws, or acoustic material may be damaged.



# LAB-Continuous Run Installation Instructions

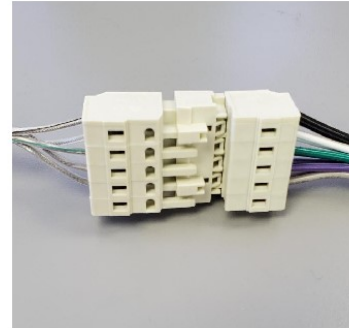
## Step 6 - Level and Wire the Fixture

### A. Level the Assembly



- Repeat previous steps until all fixtures have been installed.
- Adjust hanging cables of each fixture to level assembly as needed.

### B. Wire the Fixtures



WIRING LEGEND		
BLACK	HOT	Line Voltage
WHITE	NEUTRAL	Line Voltage
GREEN	GROUND	
GRAY	DIMMING	0-10V DC
VIOLET	DIMMING	0-10V DC

- Connect wiring between fixtures as needed, ensuring that jacketed wires are threaded thru the removed knockouts from Step 4. Ensure connections between fixtures are tucked into wiring panels.
- Wire fixtures to the incoming power supply using the provided quick disconnect clip as shown.
- For dimming option, refer to wiring legend above.
- Use UL approved connectors only. Follow all local, state and national codes.