

# L25SF96LRGBW100WMV-Pendant Installation Instructions

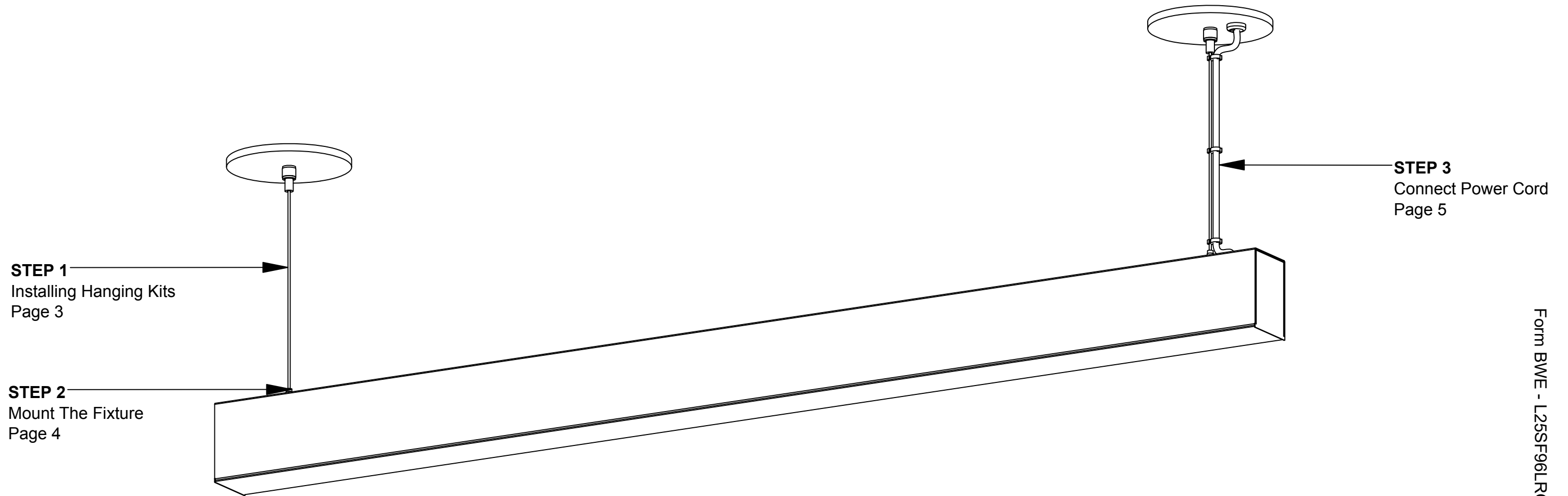
## Overview

### WARNINGS

- This product must be installed in accordance with all applicable codes by a person familiar with the product.
- Each luminaire must be **properly supported** during install.
- **DO NOT** join fixtures on the floor prior to lifting, or damage will occur.
- **Before beginning installation**, review our complete list of warnings by visiting [www.saylite.com/warnings](http://www.saylite.com/warnings).



Texas Fluorescents Reinvented



We believe  
in the power  
of light.



Your particular build may vary.

2018© Saylite | 2055 Luna Road, Suite 142 Carrollton, Texas 75006 | [www.saylite.com](http://www.saylite.com)

1 of 5

Form BWE - L25SF96LRGBW100WMV-Pendant, V1 02/20

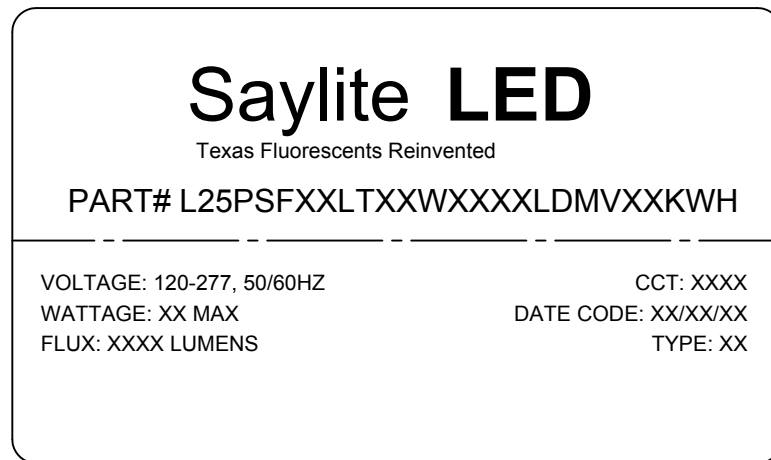
# L25SF96LRGBW100WMV-Pendant Installation Instructions

## Preparation - Tools/Parts Identification



Texas Fluorescents Reinvented

### A. Identify Fixtures

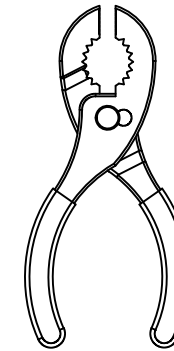


- Use labels found on the box and inside fixture bodies to identify bodies.
- **NOTE:** Locations of labels can vary.
- Remove all fixtures from their boxes.
- Organize fixtures based on their labels at the install location.

### B. Tools Needed



Screwdriver



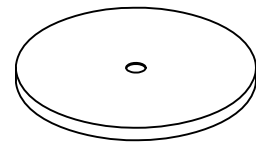
Pliers



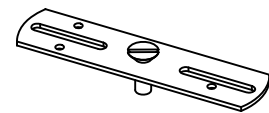
Safety Glasses

- Always use proper safety equipment when installing fixtures.
- Tools shown are recommended for standard install. Tools needed may vary based on actual install location conditions.

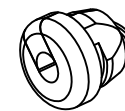
### C. Identify Parts



5" White Canopy - Non Power  
PN: CBGCAN51W



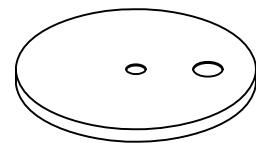
Mounting Bar  
PN: HMCGEMBARS1/8GN



Wire Strain Relief  
PN: HEYCO 1210



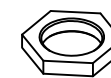
Pendant Cable  
PN: PCBL3014FT



5" White Canopy - Power  
PN: CBGCAN52W



Pendant Cable Clip  
PN: PCC375



301-Pendant Nut  
PN: 301PNUT1/2



Pendant Cable Cuff  
PN: PCCUF301



Cable End  
PN: CBLEND301



Pendant Power Cord  
PN: PPC3015 (5 WIRE)

- Read entire install instructions before beginning installation.
- Unpack all components and arrange in order of install steps.
- For help with installation, please contact us at [www.saylite.com](http://www.saylite.com) or call us at (972) 247-3171.

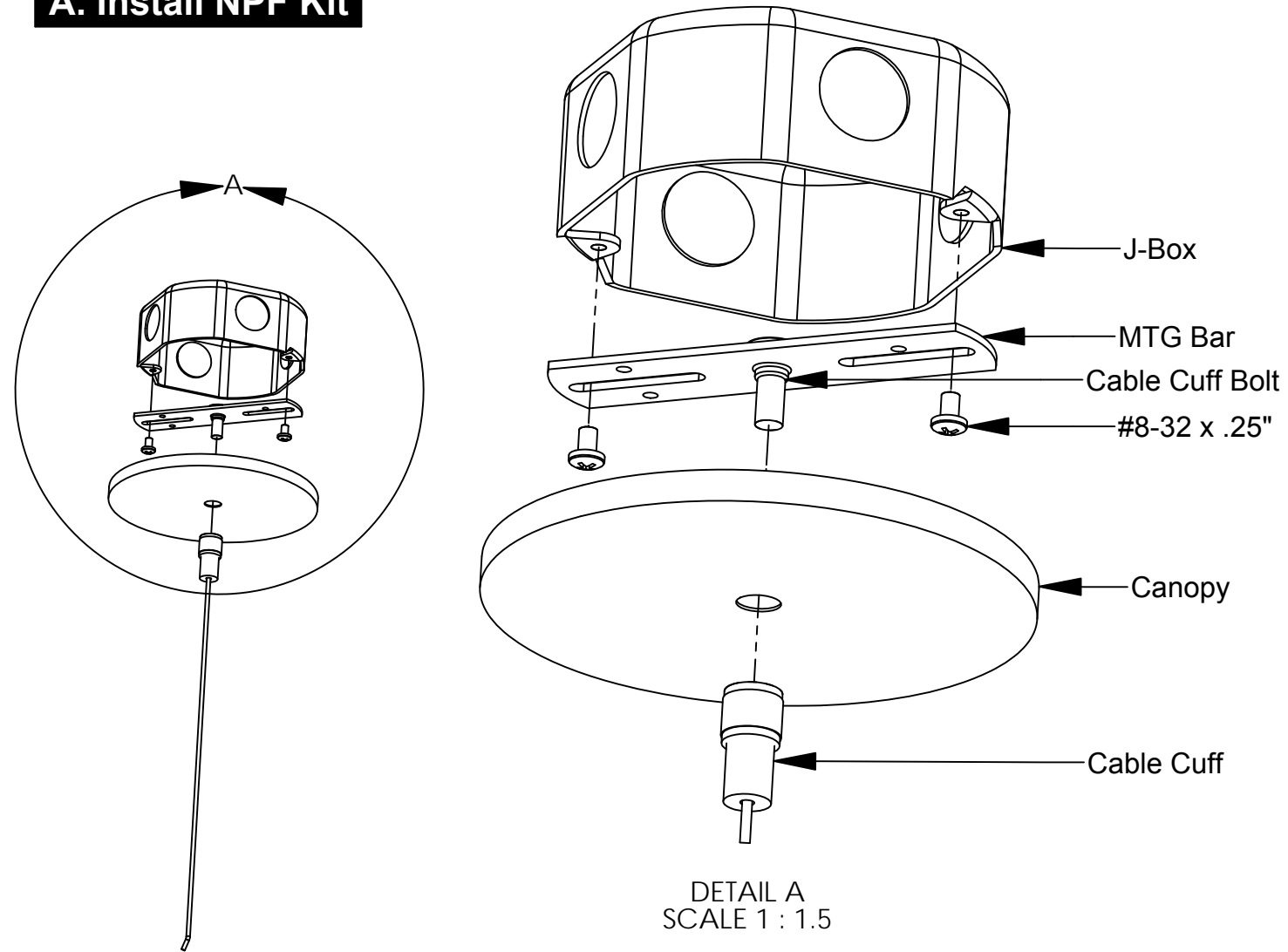
# L25SF96LRGBW100WMV-Pendant Installation Instructions

## Step 1 - Installing Hanging Kits



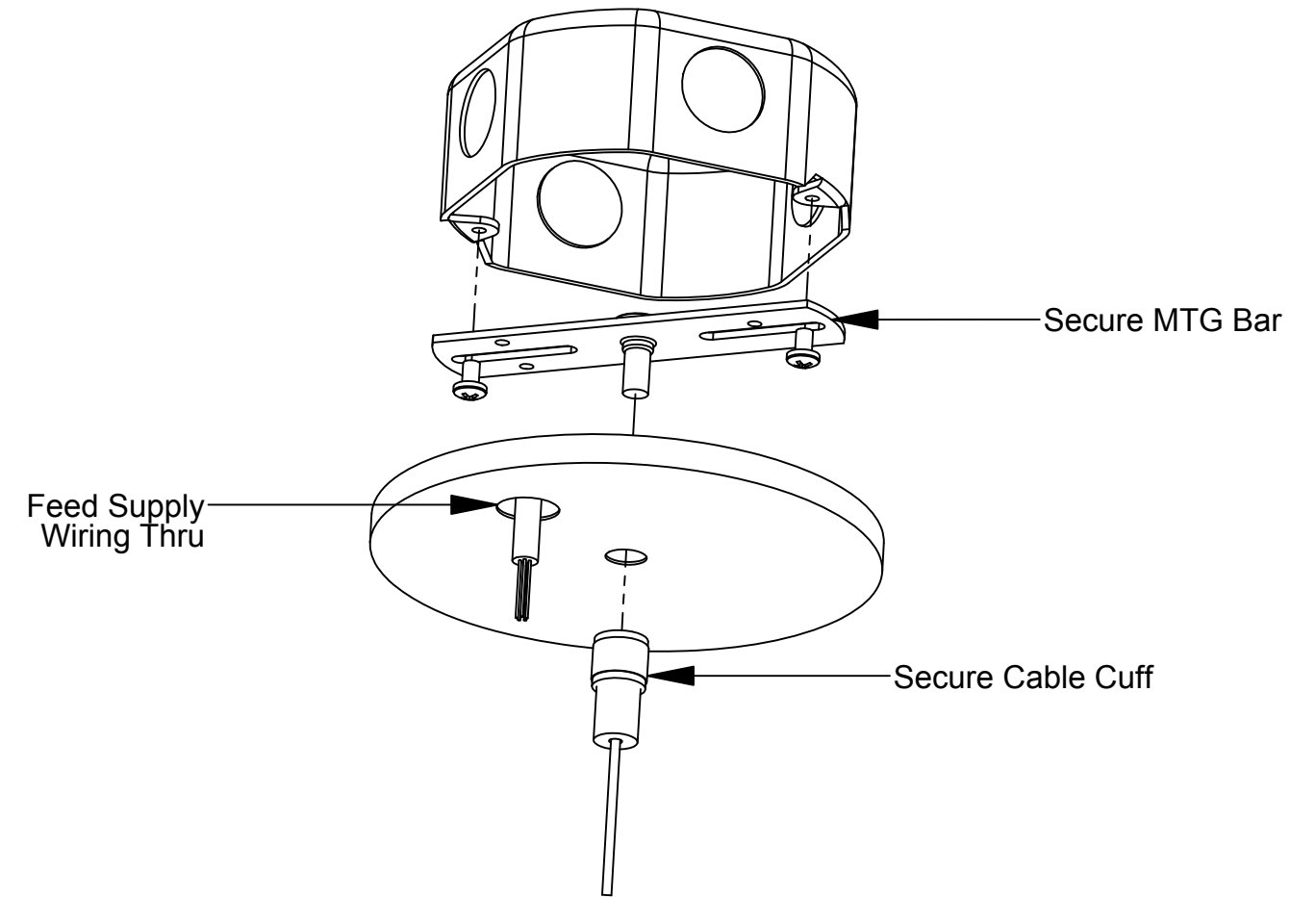
Texas Fluorescents Reinvented

### A. Install NPF Kit

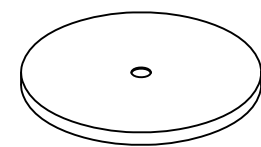


- Secure the mounting bar to the existing J-Box using the (2) #8-32 x .25" machine screws provided.
- Install the canopy over the cable cuff bolt with the outside edge facing upwards.
- Secure the cable cuff to the bolt, and tighten 1/4 turn with pliers.

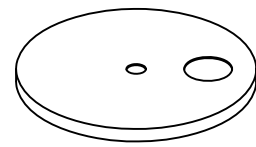
### B. Install PF Kit



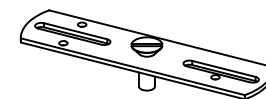
- Repeat the previous steps to install the mounting bar to the J-Box.
- Feed the supply wiring thru the canopy prior to install.
- Repeat the previous steps to install the cable cuff to the bolt.



5" White Canopy - Non Power  
(Provided)



5" White Canopy - Power  
(Provided)



Mounting Bar  
(Provided)



Pendant Cable  
(Provided)

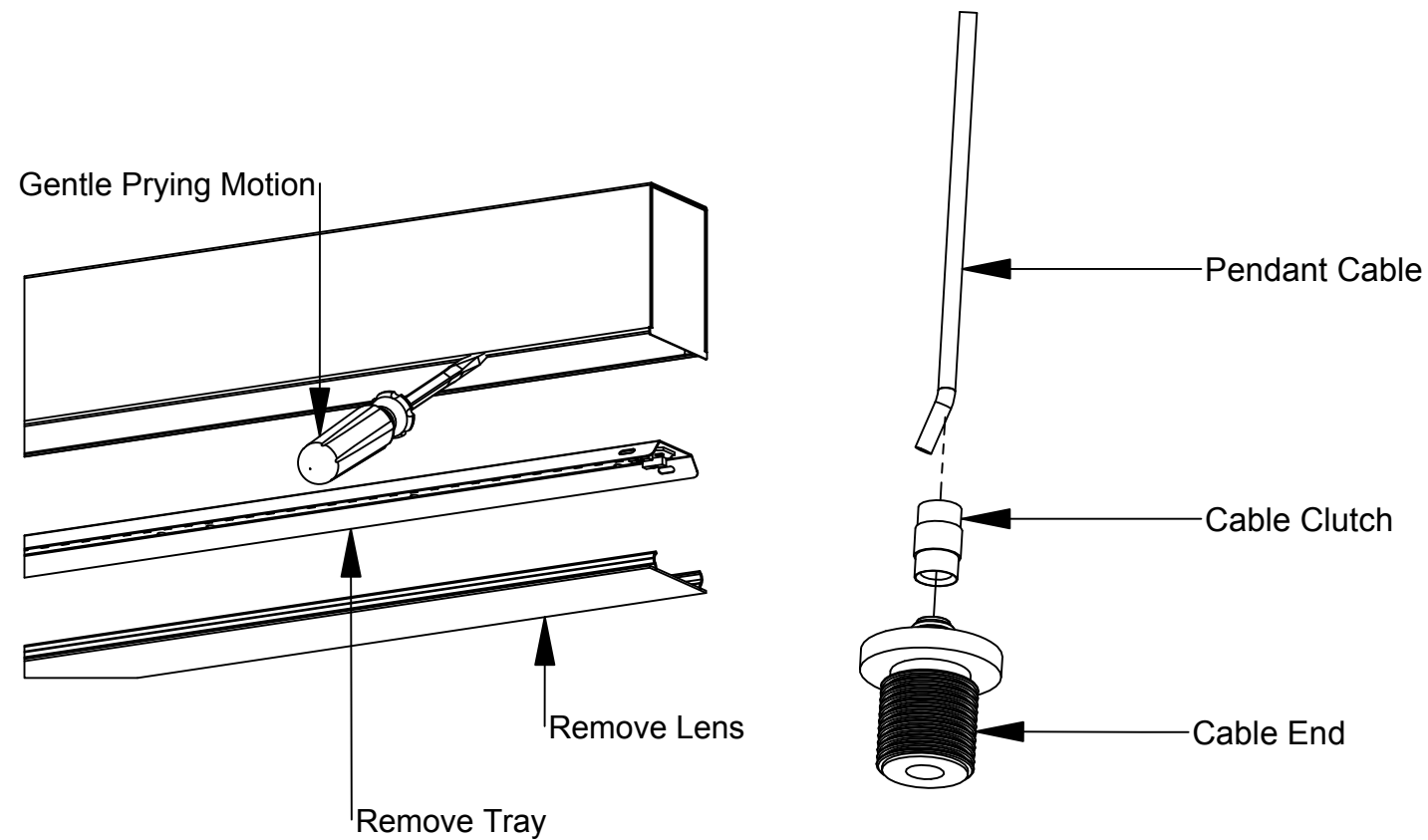
# L25SF96LRGBW100WMV-Pendant Installation Instructions

## Step 2 - Mount The Fixture



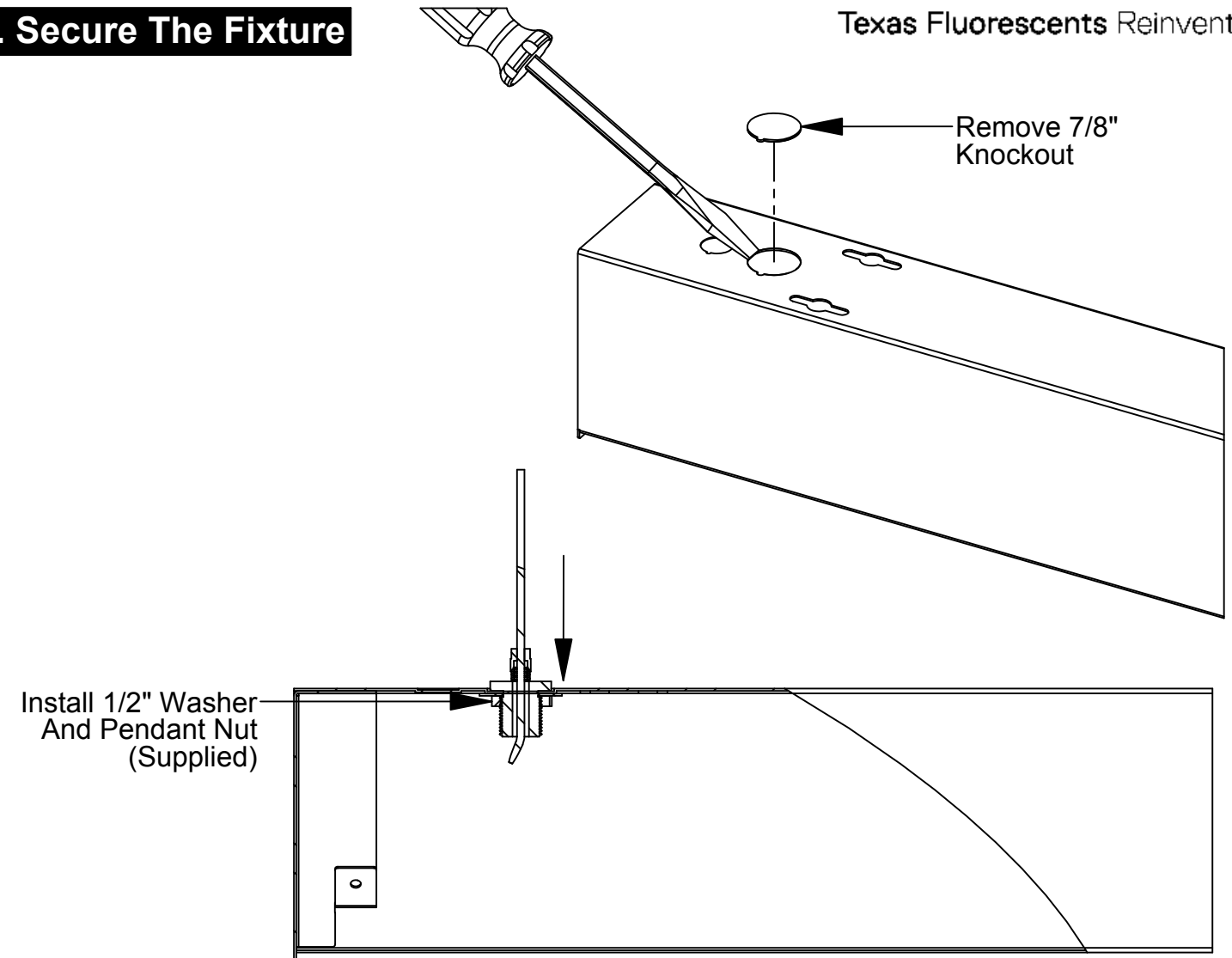
Texas Fluorescents Reinvented

### A. Prepare Cable Assembly

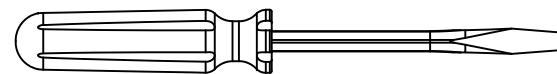


- Remove the lens from the fixture by gently prying with a flat tip screwdriver as shown above.
- Remove the gear tray from the fixture by using a gentle prying motion with the flat tip screwdriver.
- Install the cable clutch to the pendant cable as show, then thread the cable end to the cable clutch.
- The cable assembly is now ready to receive the fixture.

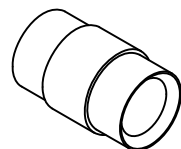
### B. Secure The Fixture



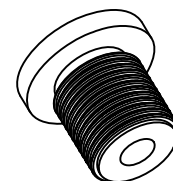
- Using a flat tipped screwdriver, remove the 7/8" knockout from the fixture in the desired location.
- Insert the cable end in to the knock out. Secure the end using the provided 1/2" washer and nut.
- Repeat steps to secure the power end of the fixture to the other preinstalled hanging kit.
- Tighten the nut 1/4 turn with pliers. Secure both ends of the fixture.



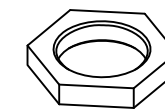
Flat Tip Screwdriver



Pendant Cable Cuff  
(Provided)



Cable End  
(Provided)



301-Pendant Nut  
(Provided)

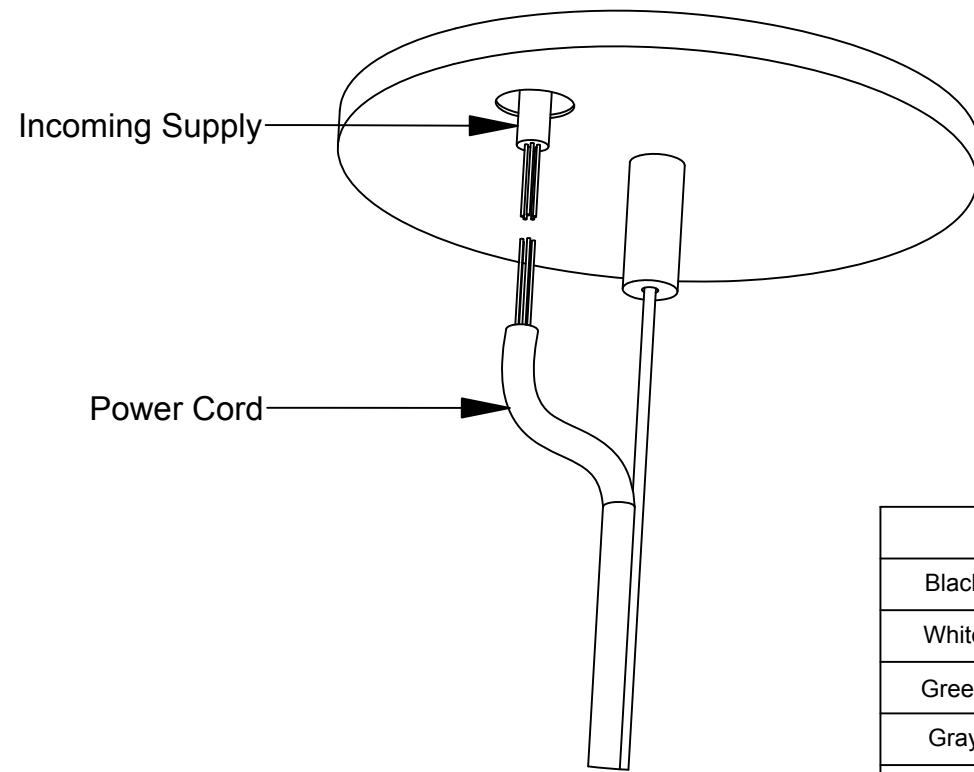
# L25SF96LRGBW100WMV-Pendant Installation Instructions

## Step 3 - Connect Power Cord



Texas Fluorescents Reinvented

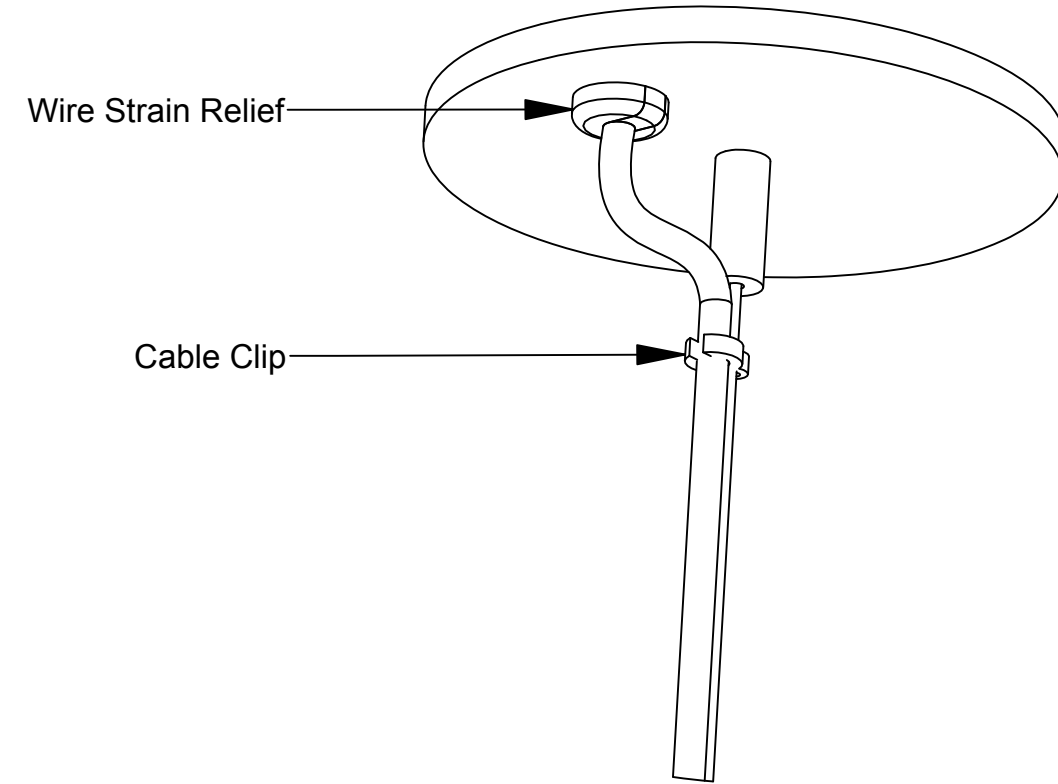
### A. Connect The Wires



WIRING LEGEND		
Black	Hot	Line Voltage
White	Neutral	Line Voltage
Green	Ground	
Gray	Dimming	0-10V DC
Violet	Dimming	0-10V DC

- Connect the incoming supply to the power cord by following all local, state and national codes.
- Match wire colors together. Refer to the chart above as needed.

### B. Install Grommet / Cable Clip



- After connecting the wires, feed the connections back in to the J-Box.
- Install the wire strain relief, and press in to the opening until it clicks in to place.
- Install the cable clip as shown above. Install is now complete.



Pendant Cable Clip  
(Provided)



Wire Strain Relief  
(Provided)



Pendant Power Cord  
(Provided)

Zoom



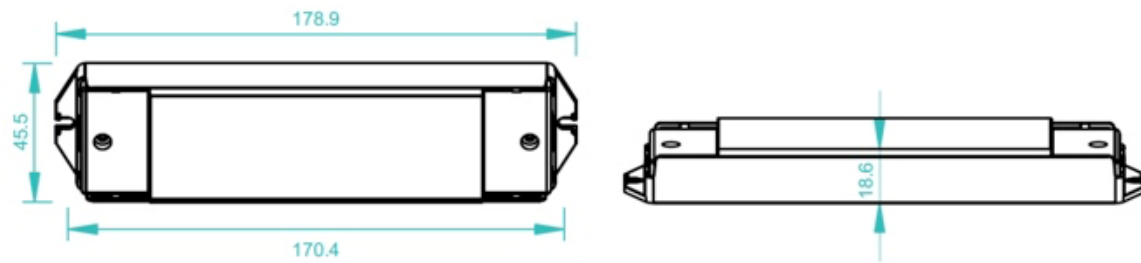
Move your mouse over image or click to enlarge

- Features
- Specifications
- Video
- User Manual
- Related Products

### Specifications

Part No.	Input Voltage	Output Current	Output Power	Output Type	Dimension (mm)
SR-2102B	12-36VDC	4CH, 5A/CH	240-720W	Constant Voltage	46*178*18

### Product Dimension



### Wiring Diagram

### Wiring Diagram

