

## BAFL Installation (Non-Lit) - Drywall /Concrete Ceiling

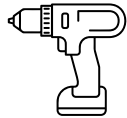
### Acoustical Baffle

These installation suggestions consist of a common process for baffle installation. Installers should rely upon their own professional experience and understanding of their unique requirements to ensure a successful install.

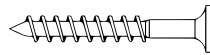
Confirm your unistrut installation has been completed. Consult with a professional about a proper unistrut installation for your ceiling type (concrete vs. sheetrock).

---

### Tools Needed



Drill



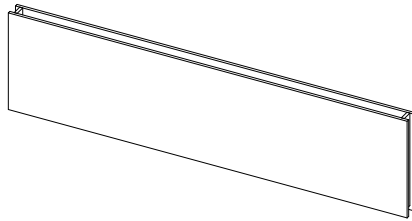
Screws



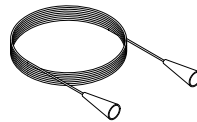
Cable Cutter

---

### Items Included



Baffle



(2) Aircraft Cable with Cone

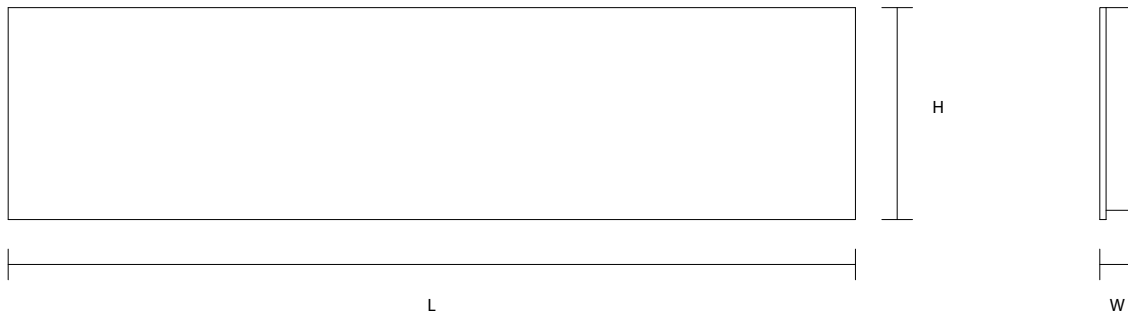
---

Disclaimer: Concrete Anchor Bolt not included.

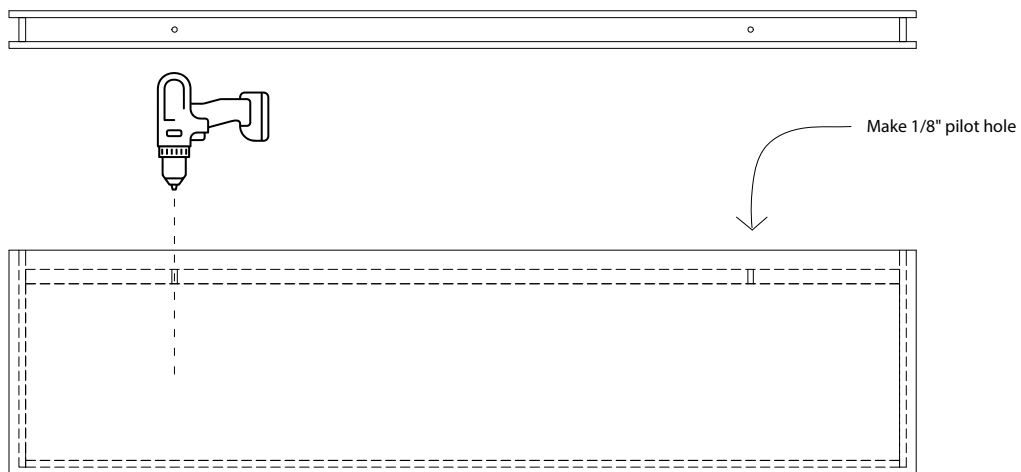
## BAFL Installation (Non-Lit) - Drywall /Concrete Ceiling

Acoustical Baffle

1. Unwrap baffle from plastic wrap. Confirm baffle dimensions match your needs.



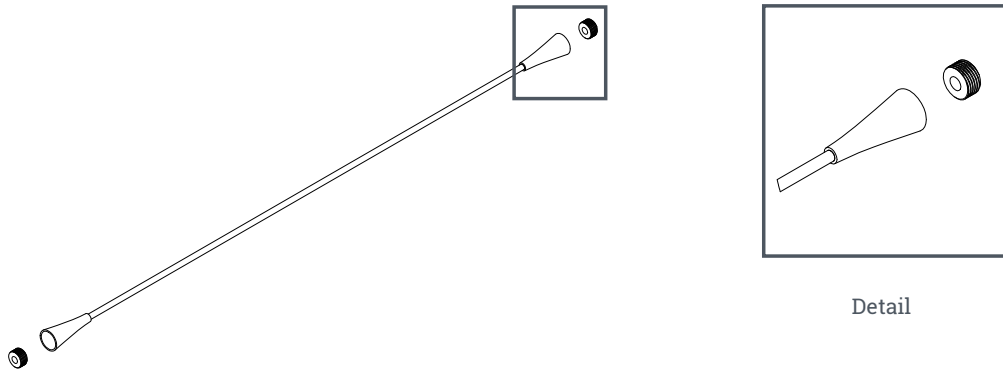
2. Measure the distance between the two points on ceiling that will be holding the baffle. Match your hole location distance on the wood and mark it. Use a drill machine to make a 1/8" pilot hole for screws.



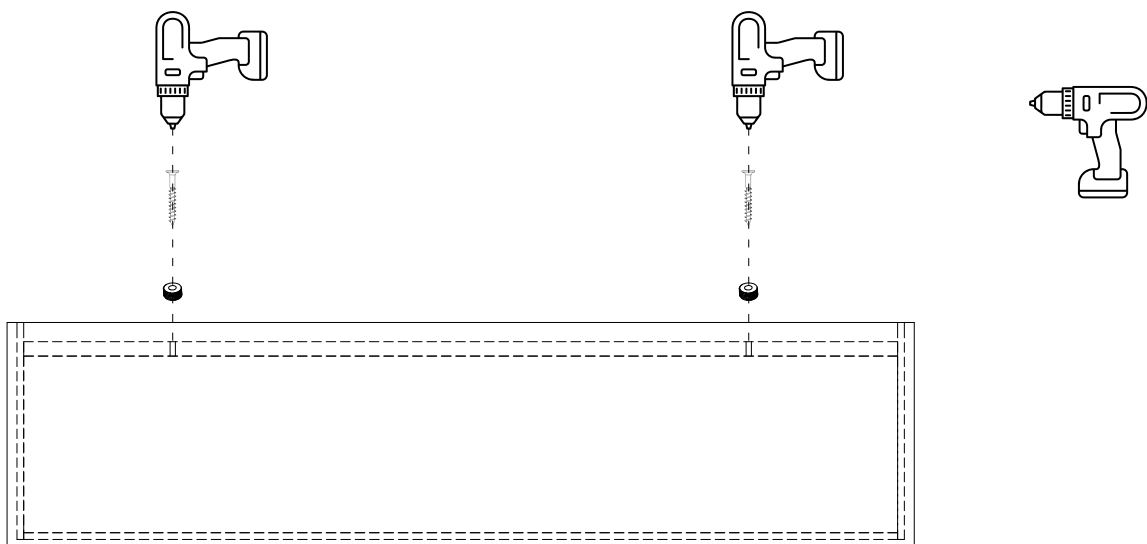
## BAFL Installation (Non-Lit) - Drywall /Concrete Ceiling

Acoustical Baffle

- Take out the screw nut from both side of the aircraft cable cone.



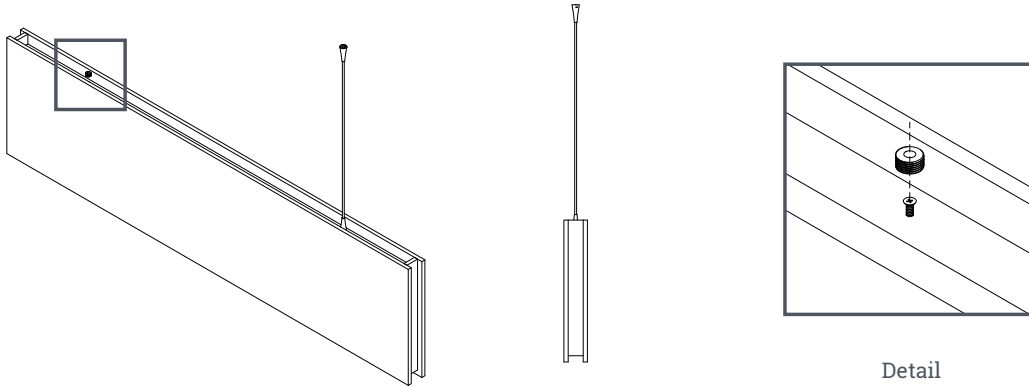
- Place the screw nut on the pilot hole and use the driver to drive the drywall screw through the screw nut on the wood.



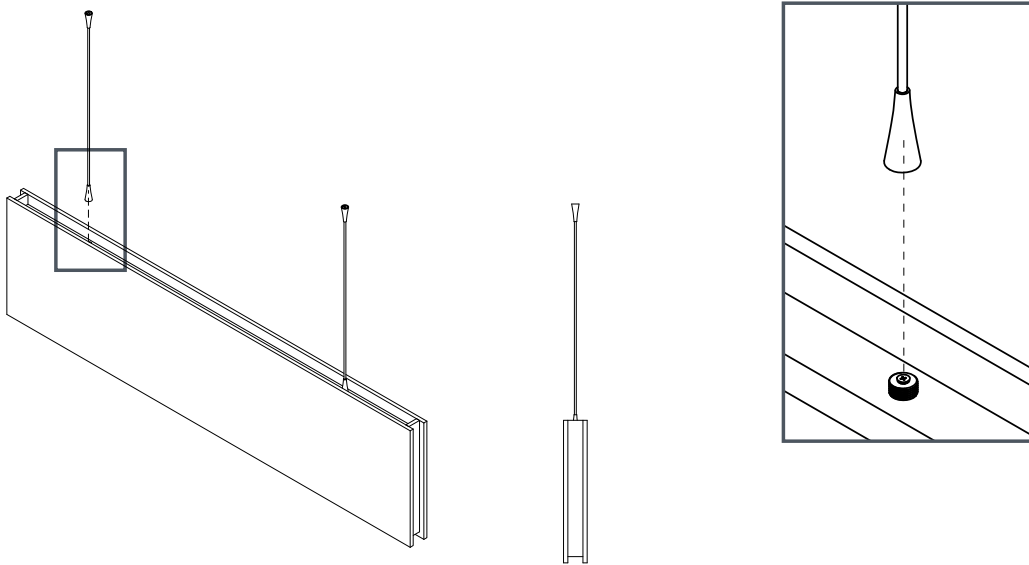
## BAFL Installation (Non-Lit) - Drywall /Concrete Ceiling

Acoustical Baffle

5. Drive the screw all the way so that it will flush with the screw nut.



6. Screw the cone to the screw nut.

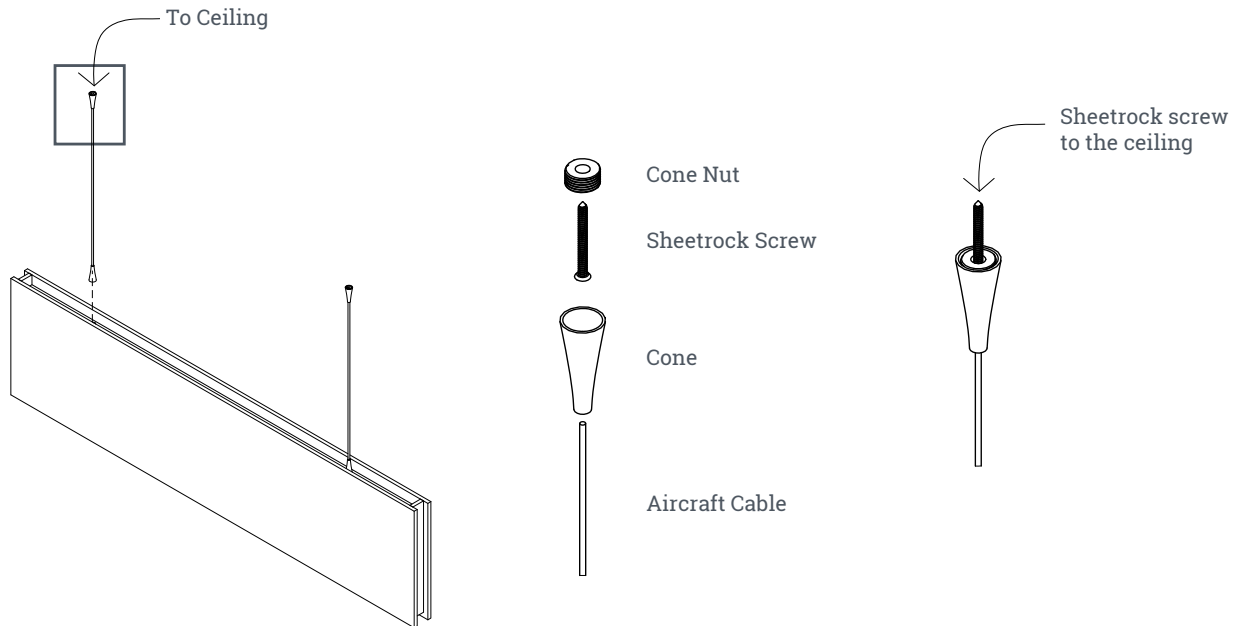


## BAFL Installation (Non-Lit) - Drywall /Concrete Ceiling

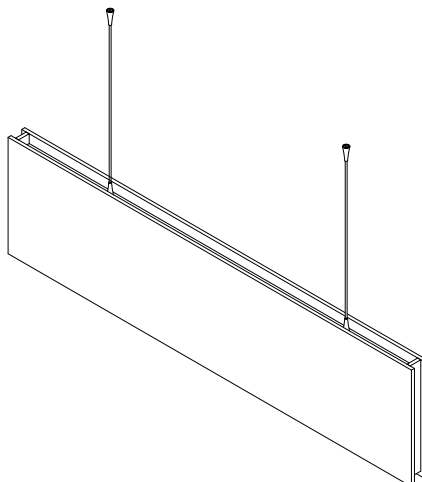
Acoustical Baffle

7. Drill and insert anchor bolt or sheet rock screw on the ceiling (need proper guidance from installer or architect before install) Disclaimer: Concrete Anchor Bolt not included.

Follow step 4-6 to attach the other side of the cone to hang the baffle.



8. Finish the installation.



## BAFL Installation (Non-Lit) - Unistrut Installation

### Acoustical Baffle

These installation suggestions consist of a common process for baffle installation. Installers should rely upon their own professional experience and understanding of their unique requirements to ensure a successful install.

Confirm your unistrut installation has been completed. Consult with a professional about a proper unistrut installation for your ceiling type (concrete vs. sheetrock).

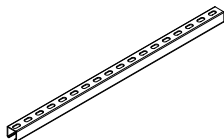
### Tools Needed



Drill



Hanger Bolt Driver  
(IVY classic)

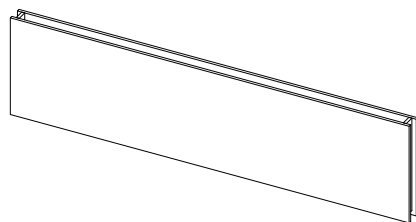


Unistrut  
Installed

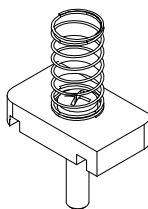


Cable Cutter

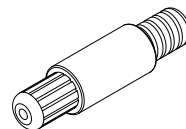
### Items Included



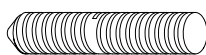
Baffle



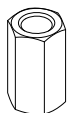
(2) Spring Nut Assembly



(2) Griplock



(2) Hanger Bolt



(2) Coupling Nut

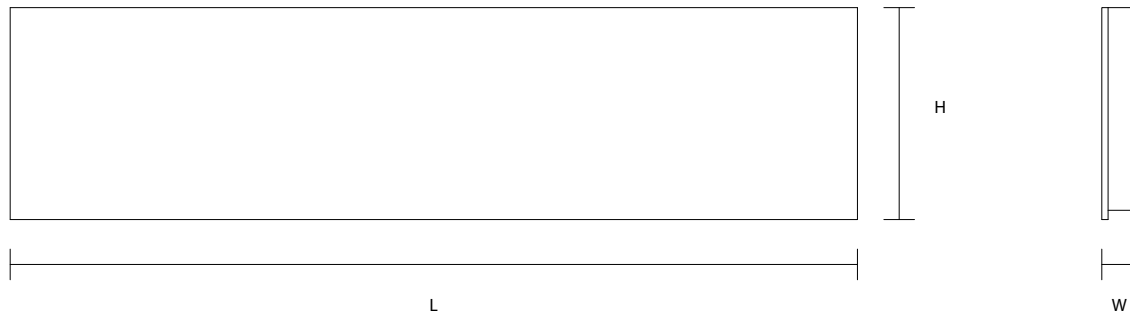


(2) Aircraft Cable or (2) Threaded Rod

## BAFL Installation (Non-Lit) - Unistrut Installation

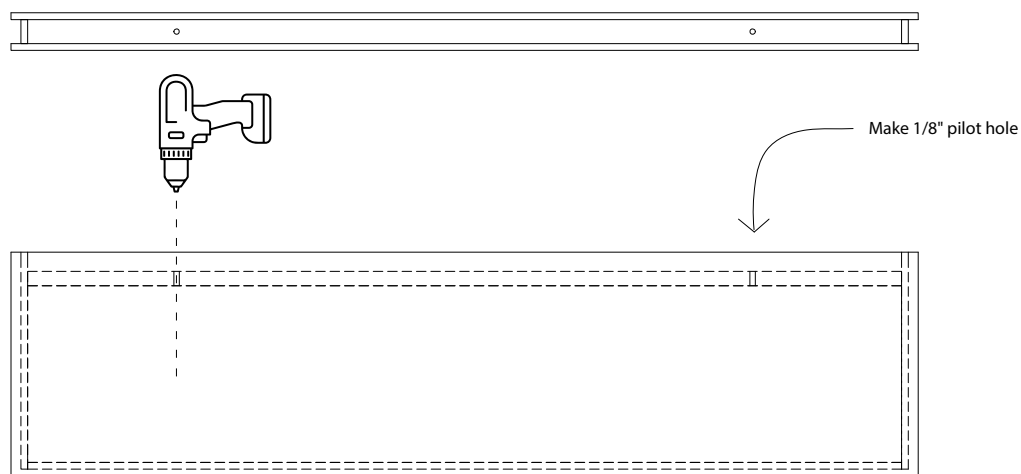
Acoustical Baffle

1. Unwrap baffle from plastic wrap. Confirm baffle dimensions match your needs.



If your baffle is pre-drilled with hanger bolts inserted, go to step 4.

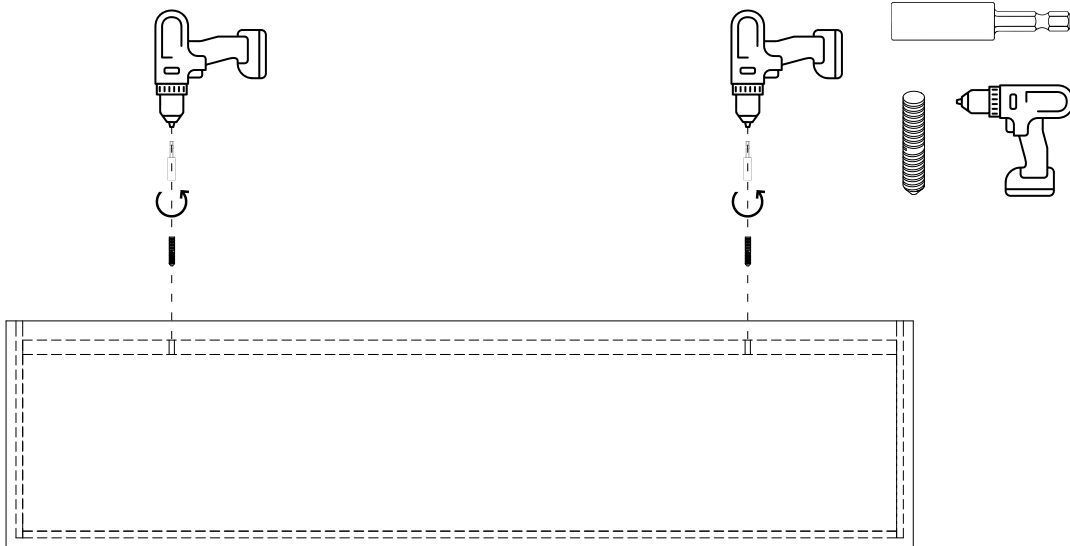
2. If your baffles came without pre-drilled hanger bolts, follow this step:  
Measure the distance between the two unistruts that will be holding the baffle. Match your hole location distance to the distance of the unistruts. Use a drill machine to make a 1/8" pilot hole for hanger bolts.



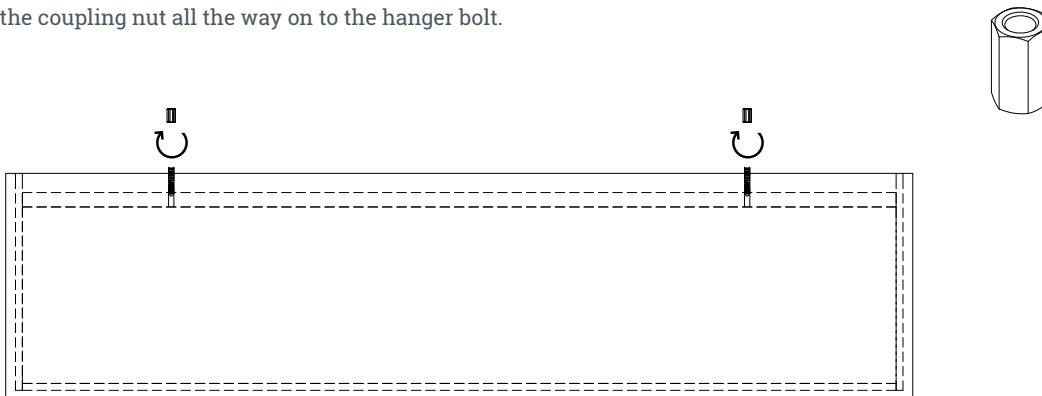
## BAFL Installation (Non-Lit) - Unistrut Installation

Acoustical Baffle

3. Use the given hanger bolt driver tool to drive 1/4" - 20 hanger bolt on the pre-drilled hole leaving 3/4" exposed.



4. Screw the coupling nut all the way on to the hanger bolt.

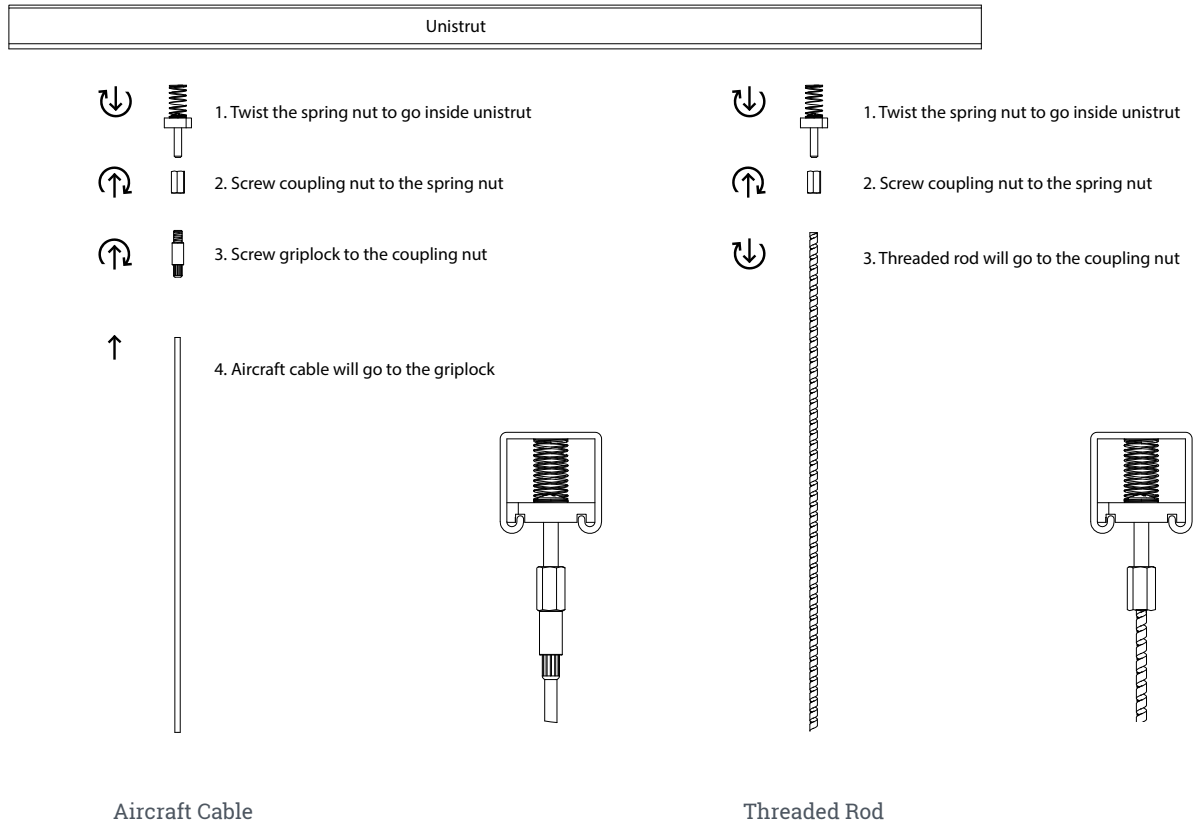




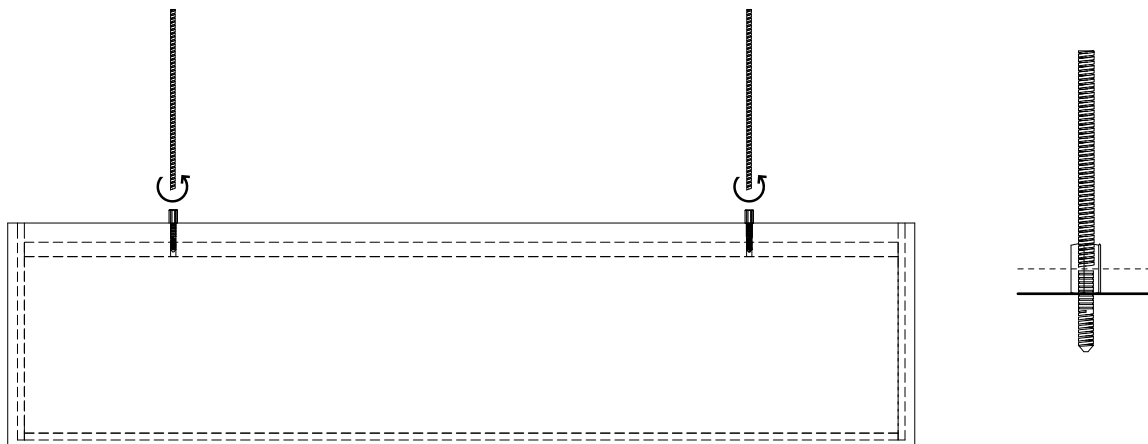
## BAFL Installation (Non-Lit) - Unistrut Installation

Acoustical Baffle

### 5. Install Threaded Rod or Aircraft Cable from Unistrut



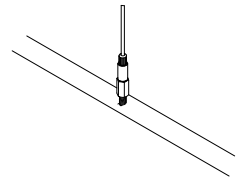
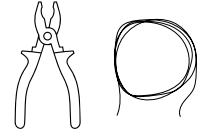
### 6a. Threaded Rod Specific Step ONLY Cut 1/4" threaded rod at desired length and screw half way into the coupling nut.



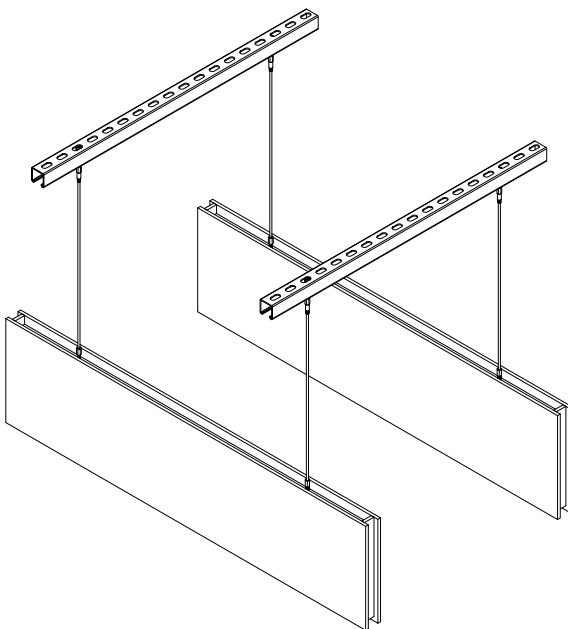
## BAFL Installation (Non-Lit) - Unistrut Installation

Acoustical Baffle

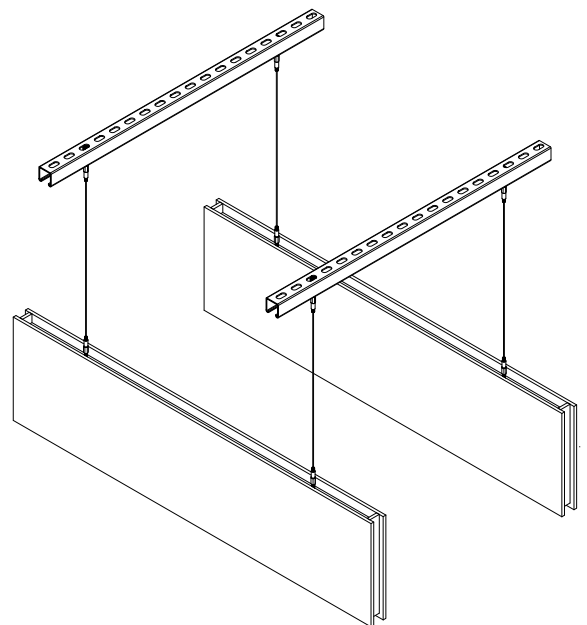
- 6b. **Aircraft Cable** Specific Step ONLY.  
Cut the excess cable using cable cutter.



7. Final view.



Threaded Rod



Aircraft Cable