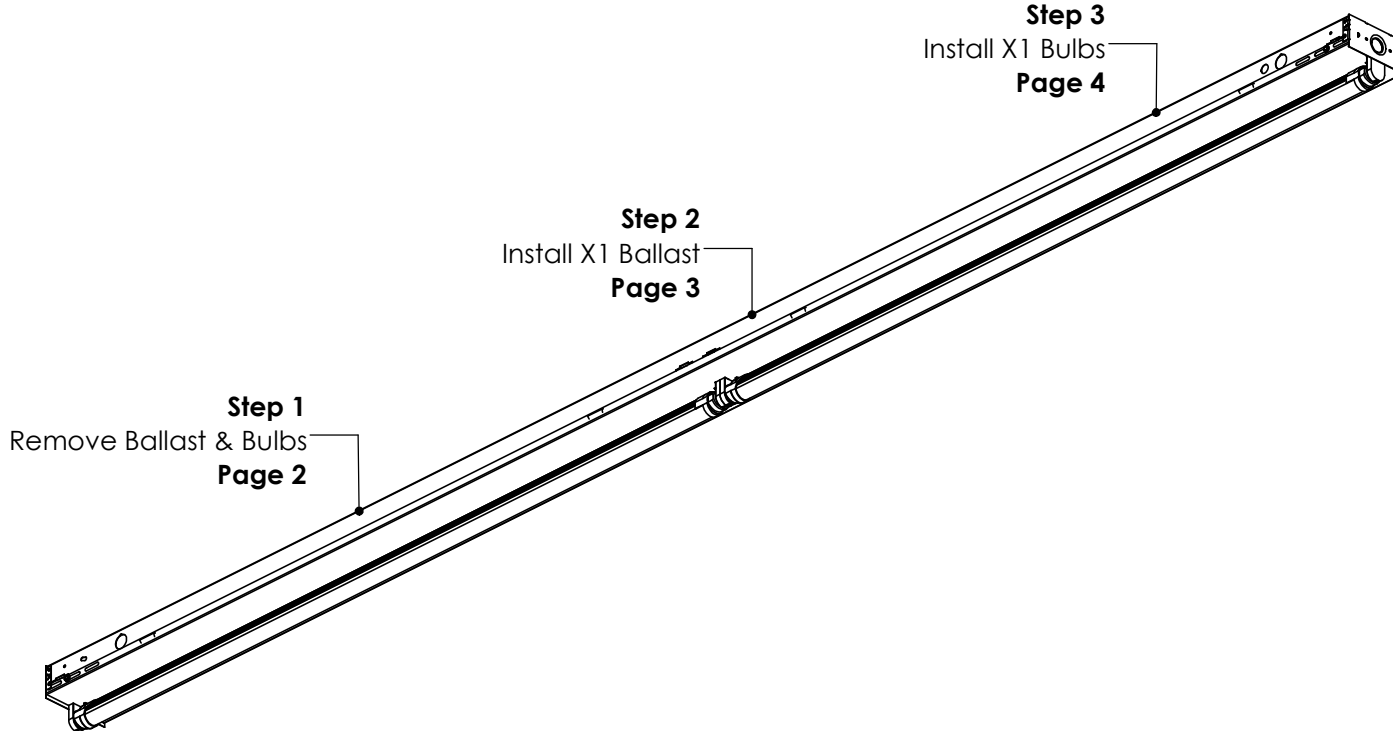


4RB/8RB-X1-Retrofit Installation Instructions Overview

WARNINGS

- This product must be installed in accordance with all applicable codes by a person familiar with the product.
- Each fixture must be **properly supported** during install.
- **DO NOT** join fixtures on the floor prior to lifting, or damage will occur.
- **Before beginning installation**, review our complete list of warnings by visiting www.saylite.com/warnings.



Your particular build may vary.

2022© Saylite | 2055 Luna Road, Suite 142 Carrollton, Texas 75006 | www.saylite.com

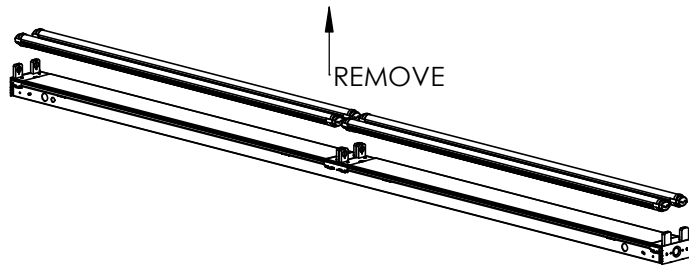
4RB/8RB-X1-Retrofit Installation Instructions

Step 1 - Remove Ballast and Bulbs



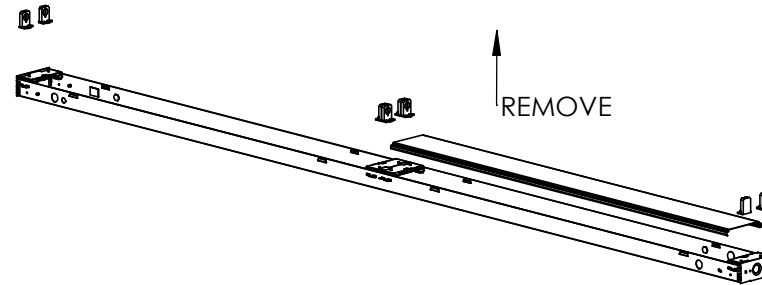
Texas Fluorescents Reinvented

A. Remove Bulbs



- **NOTE:** Disconnect power supply to fixture before starting any work on retrofit kit.
- Remove bulbs from current fixture, dispose of or recycle in a responsible manner.

B. Remove Ballast Cover



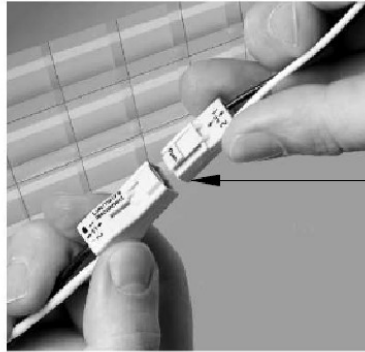
- Remove ballast cover and sockets from the current fixture.
- Disconnect and remove any ballast wiring from the fixture.

4RB/8RB-X1-Retrofit Installation Instructions

Step 2 - Install New X1 Ballast

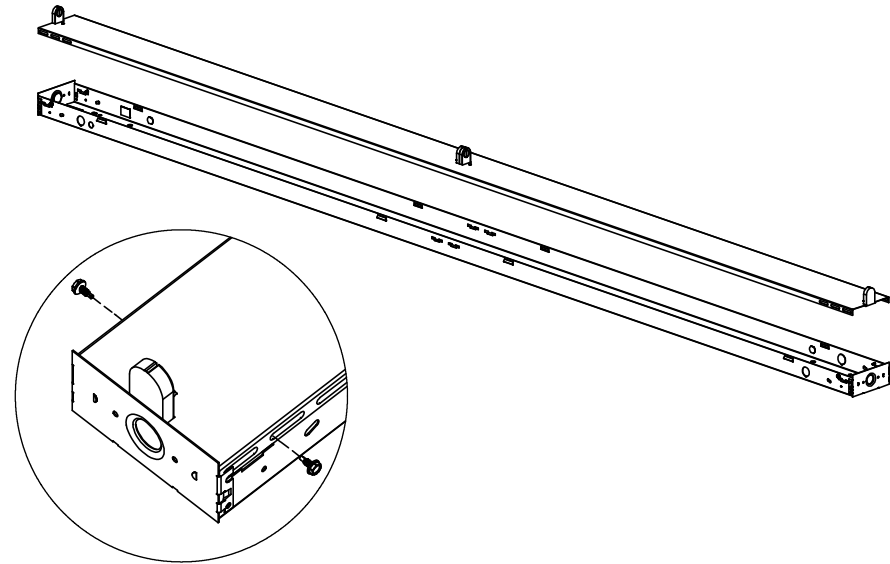
A. Connect Wiring to Power Feed Supply

WIRING LEGEND		
BLACK	HOT	Line Voltage
WHITE	NEUTRAL	Line Voltage
GREEN	GROUND	
GRAY	DIMMING	0-10V DC
VIOLET	DIMMING	0-10V DC



- Wire fixtures to the incoming power supply using the provided quick disconnect clip.
- For dimming option, refer to wiring legend above.
- Use UL approved connectors only. Follow all local, state and national codes.
- Mount the fixture to the desired surface, secure the fixture with anchored screws (not provided).

B. Secure New Ballast Cover to Fixture Pan



DETAIL A
SCALE 1 : 4

- After connecting new electrical components to power feed, install the ballast to the fixture pan.
- Slide the ballast over the sides of the pan until it is flush against the pan, then use four (4) screws minimum (not provided) to secure the ballast to the pan as shown in Detail A.

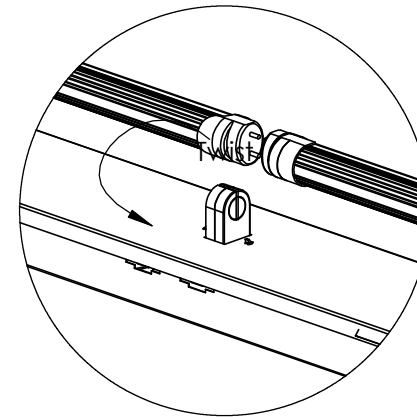
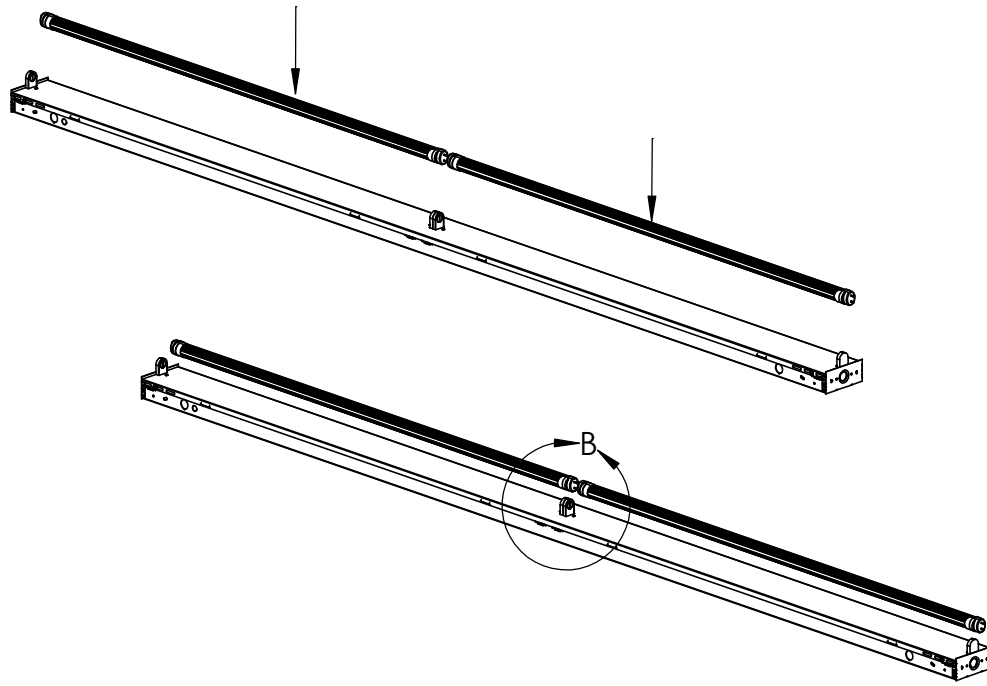
4RB/8RB-X1-Retrofit Installation Instructions

Step 3 - Install X1 Bulbs to Sockets



Texas Fluorescents Reinvented

A. Install Bulbs



DETAIL B
SCALE 1 : 5

- Insert the bulbs to the sockets and then rotate the bulbs until they lock into place.
- Fixture installation is now complete.