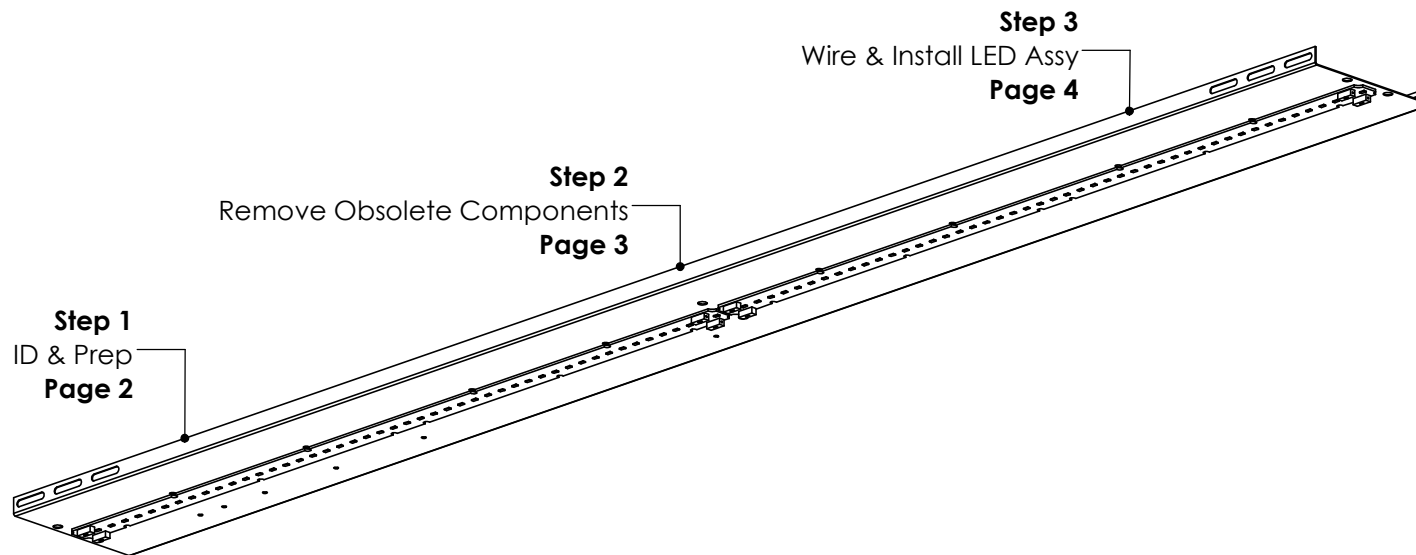


2RB/4RB/8RB-LED Installation Instructions

Overview

WARNINGS

- This product must be installed in accordance with all applicable codes by a person familiar with the product.
- Each fixture must be **properly supported** during install.
- **DO NOT** join fixtures on the floor prior to lifting, or damage will occur.
- **Before beginning installation**, review our complete list of warnings by visiting www.saylite.com/warnings.



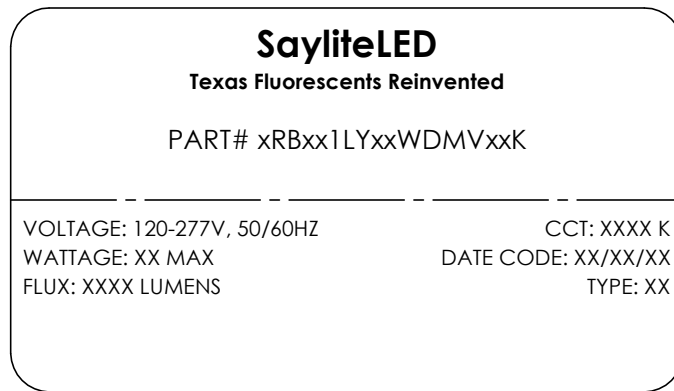
Your particular build may vary.

2022© Saylite | 2055 Luna Road, Suite 142, Carrollton, TX 75006 | www.saylite.com

2RB/4RB/8RB-LED Installation Instructions

Step 1 - Identification & Preparation

A. Identify Fixtures

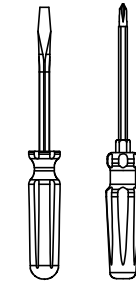


- Use labels found on the box and inside the fixture bodies to identify bodies.
- **NOTE:** Locations of labels can vary.
- Remove all fixtures from their boxes.
- Organize fixtures based on their labels at the install location.

Kitted Hardware

- Saylite has provided the items listed here, with their Saylite part numbers listed. These items can be found in separate boxes shipped with the fixture.
- Ensure all parts are accounted for and set them aside until needed.
- Any additional hardware needed for this installation will be provided by others.

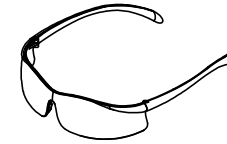
B. Tools Needed



Screwdrivers



Pliers



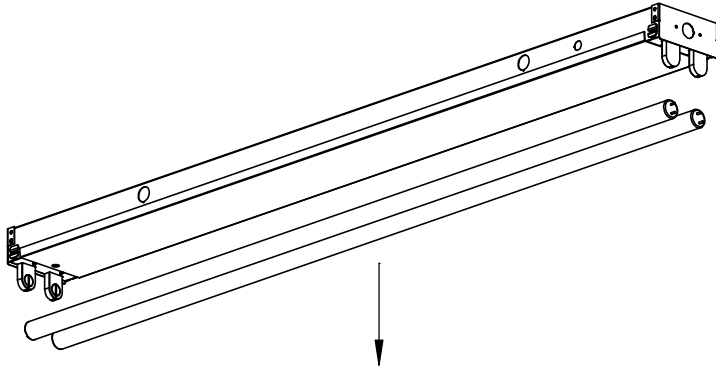
Safety Glasses

- Always use proper safety equipment when installing fixtures.
- Tools shown are recommended for standard install. Tools needed may vary based on actual install location conditions.

2RB/4RB/8RB-LED Installation Instructions

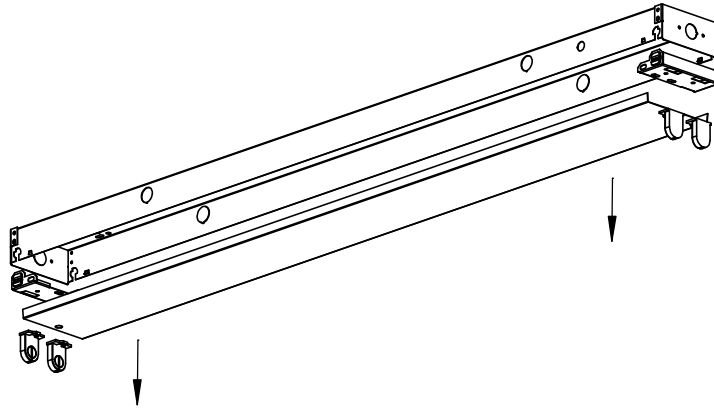
Step 2 - Remove Obsolete Components

A. Uninstall Old Bulbs



- **NOTE:** Prior to performing work on any fixtures, ensure the power feed supply is OFF.
- Remove the obsolete fluorescent bulbs from the fixture. Dispose of or recycle in a responsible manner.

B. Uninstall Ballast and Sockets



- Uninstall the ballast, sockets, socket bars, and excess fixture wiring.
- Dispose of obsolete components as needed.

2RB/4RB/8RB-LED Installation Instructions

Step 3 - Install LED Assembly & Wire



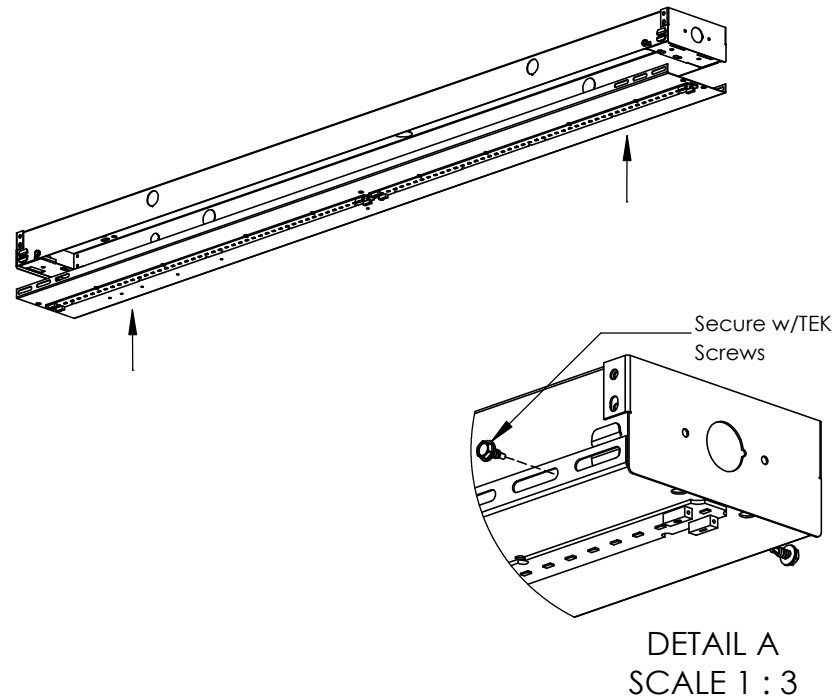
Texas Fluorescents Reinvented

A. Connect Fixture Wiring

WIRING LEGEND		
BLACK	HOT	Line Voltage
WHITE	NEUTRAL	Line Voltage
GREEN	GROUND	
GRAY	DIMMING	0-10V DC
VIOLET	DIMMING	0-10V DC

- Wire fixtures to the incoming power supply using the provided quick disconnect clip.
- For dimming option, refer to wiring legend above.
- Use UL approved connectors only. Follow all local, state and national codes.

B. Install LED Assembly



- After wiring is connected, install the LED assembly to the fixture pan.
- Slide the LED assembly onto the fixture pan and secure with provided TEK screws. Hardware can be installed to any of the slots shown in Detail A.