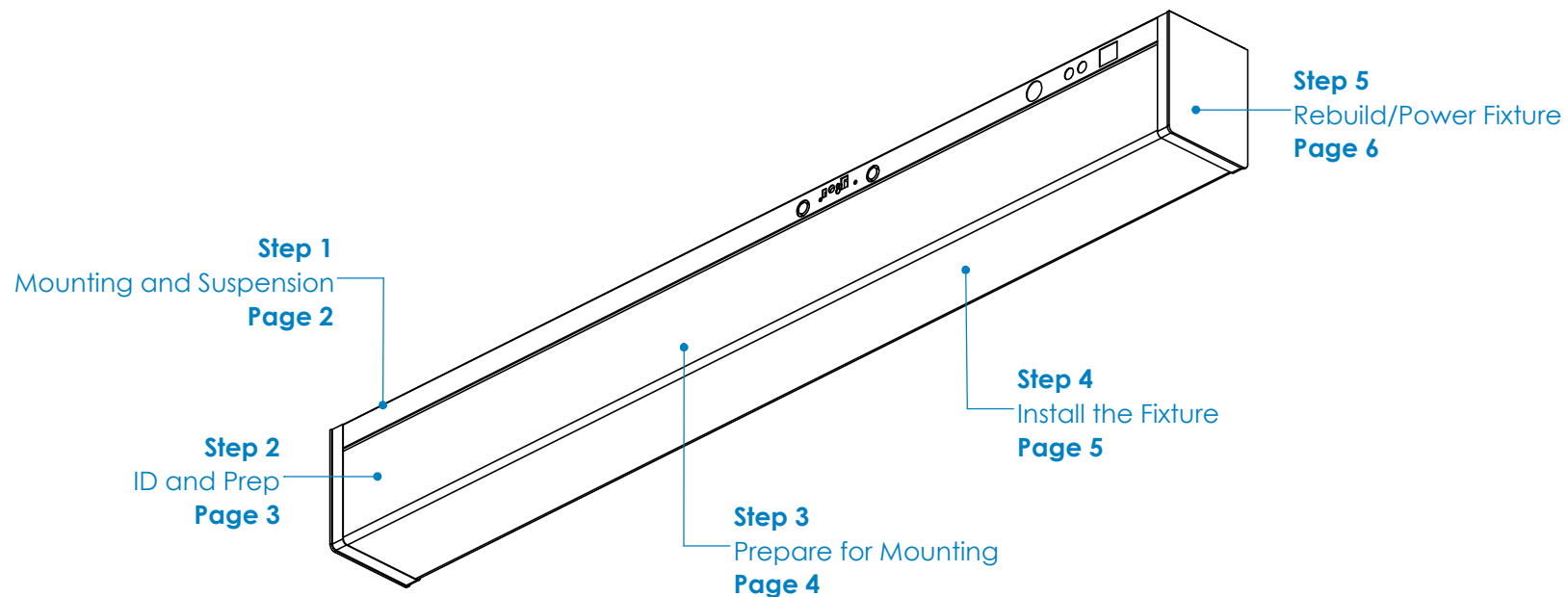


# SS213 Installation Instructions

## Overview

### WARNINGS

- This product must be installed in accordance with all applicable codes by a person familiar with the product.
- Each fixture must be **properly supported** during install.
- **DO NOT** join fixtures on the floor prior to lifting, or damage will occur.
- **Before beginning installation**, review our complete list of warnings by visiting [www.saylite.com/warnings](http://www.saylite.com/warnings).



Your particular build may vary.

2020© Saylite | 2055 Luna Road, Suite 142 Carrollton, Texas 75006 | [www.saylite.com](http://www.saylite.com)

# SS213 Installation Instructions

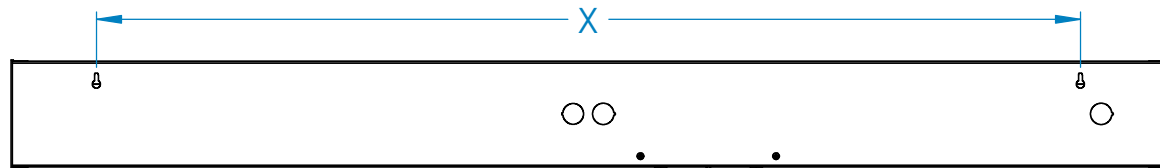
## Step 1 - Mounting and Suspension

### Mounting

#### Drywall or other hard surfaces\* - Anchored Screws

- Install anchors at suspension locations.
- Ensure anchors are secure.
- Prepare fixture for mounting.

\*Other hard surfaces include: wood, sheet metal panels, steel beams, concrete or masonry. Use hardware appropriate for each surface and material type.



#### Suspension Locations

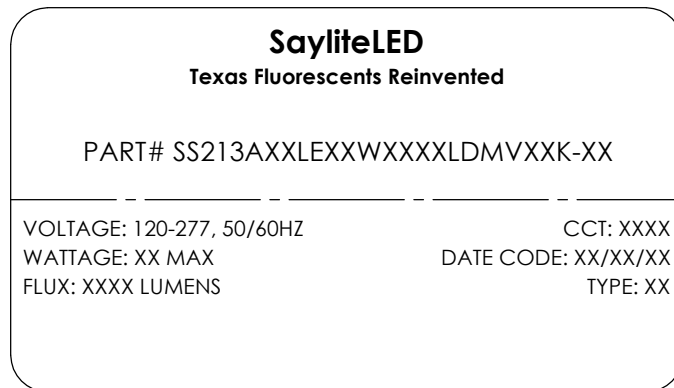
**X** = Suspension Dimensions

Refer to Assembly Drawings and building plans to determine exact mounting, suspension points, and power feed locations.

# SS213 Installation Instructions

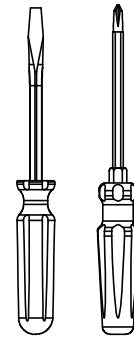
## Step 2 - Identification and Preparation

### A. Identify Fixtures



- Use labels found on the box and inside the fixture bodies to identify bodies.
- **NOTE:** Locations of labels can vary.
- Remove all fixtures from their boxes.
- Organize fixtures based on their labels at the install location.

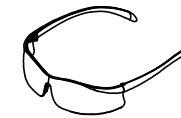
### B. Tools Needed



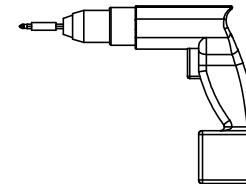
Screwdrivers



Pliers



Safety Glasses



Drill

- Always use proper safety equipment when installing fixtures.
- Tools shown are recommended for standard install. Tools needed may vary based on actual install location conditions.

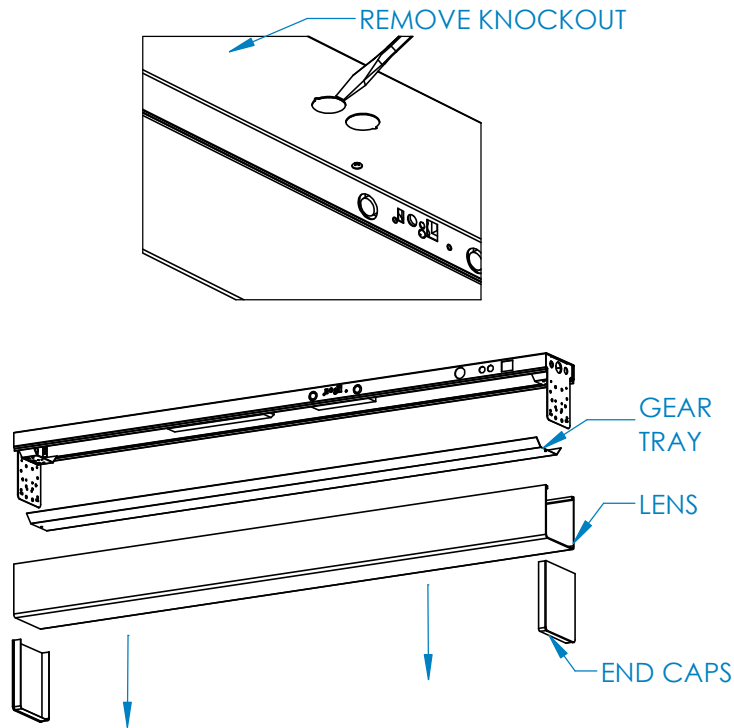
### Kitted Hardware

- Saylite has provided the items listed here, with their Saylite part numbers listed. These items can be found in separate boxes shipped with the fixture.
- Ensure all parts are accounted for and set them aside until needed.
- Any additional hardware needed for this installation will be provided by others.

# SS213 Installation Instructions

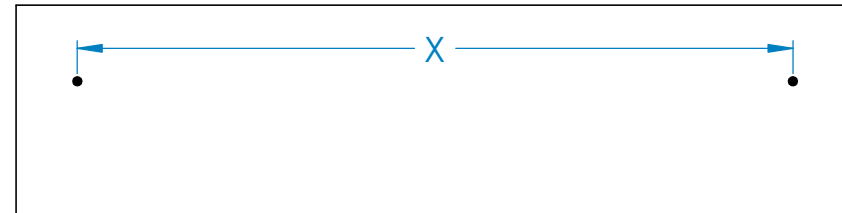
## Step 3 - Prepare for Mounting

### A. Prepare Fixture



- Prepare the fixture for mounting by first removing the 7/8" knockout. Use the flat head screwdriver and gently pry to remove the knockout.
- Next, slide off the endcaps to remove the lens, and uninstall the gear tray. Set these components aside in a safe location.

### B. Prepare Mounting Surface

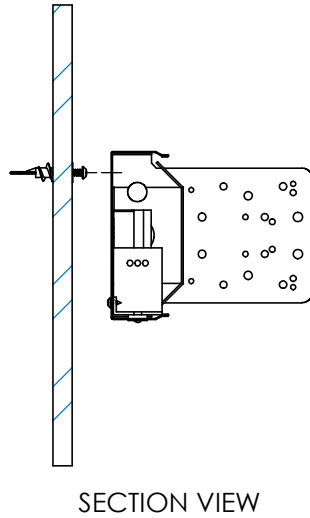


- Install anchor screws at previously determined mounting locations.
- Drill hole at desired knockout location to access fixture wiring.
- Ensure that anchor screws are secure before continuing to next step.

# SS213 Installation Instructions

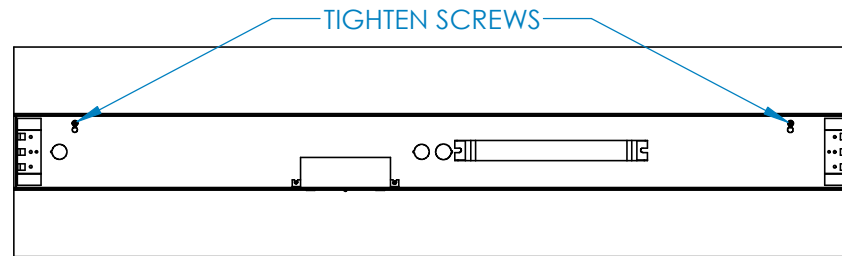
## Step 4 - Install Fixture

### A. Align Fixture



- Align the fixture with installed anchor screws and slide onto the anchors.
- Ensure the sensor is pointed in desired direction, make adjustments to anchors or fixture as needed.

### B. Secure Fixture

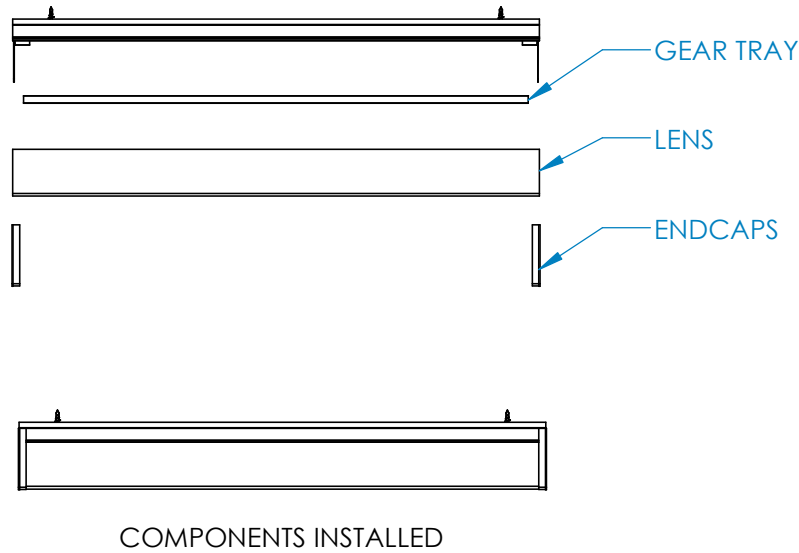


- Once fixture is mounted, tighten the anchor screws to fully secure fixture to mounting surface.

# SS213 Installation Instructions

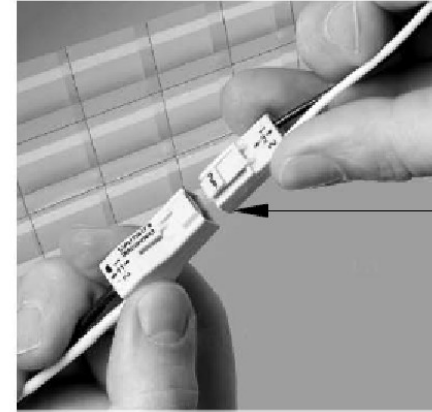
## Step 5 - Rebuild and Power Fixture

### A. Replace Components



- Replace the gear tray, lens, and endcaps removed from fixture in Step 3.
- Ensure components are secure before wiring fixture.

### B. Connect Fixture Wiring



WIRING LEGEND		
BLACK	HOT	Line Voltage
WHITE	NEUTRAL	Line Voltage
GREEN	GROUND	
GRAY	DIMMING	0-10V DC
VIOLET	DIMMING	0-10V DC

- Wire each fixture to the incoming power supply using the provided quick disconnect clip as shown.\*
- For dimming option, refer to wiring legend above.
- Use UL approved connectors only. Follow all local, state and national codes. Repeat for all remaining fixtures.