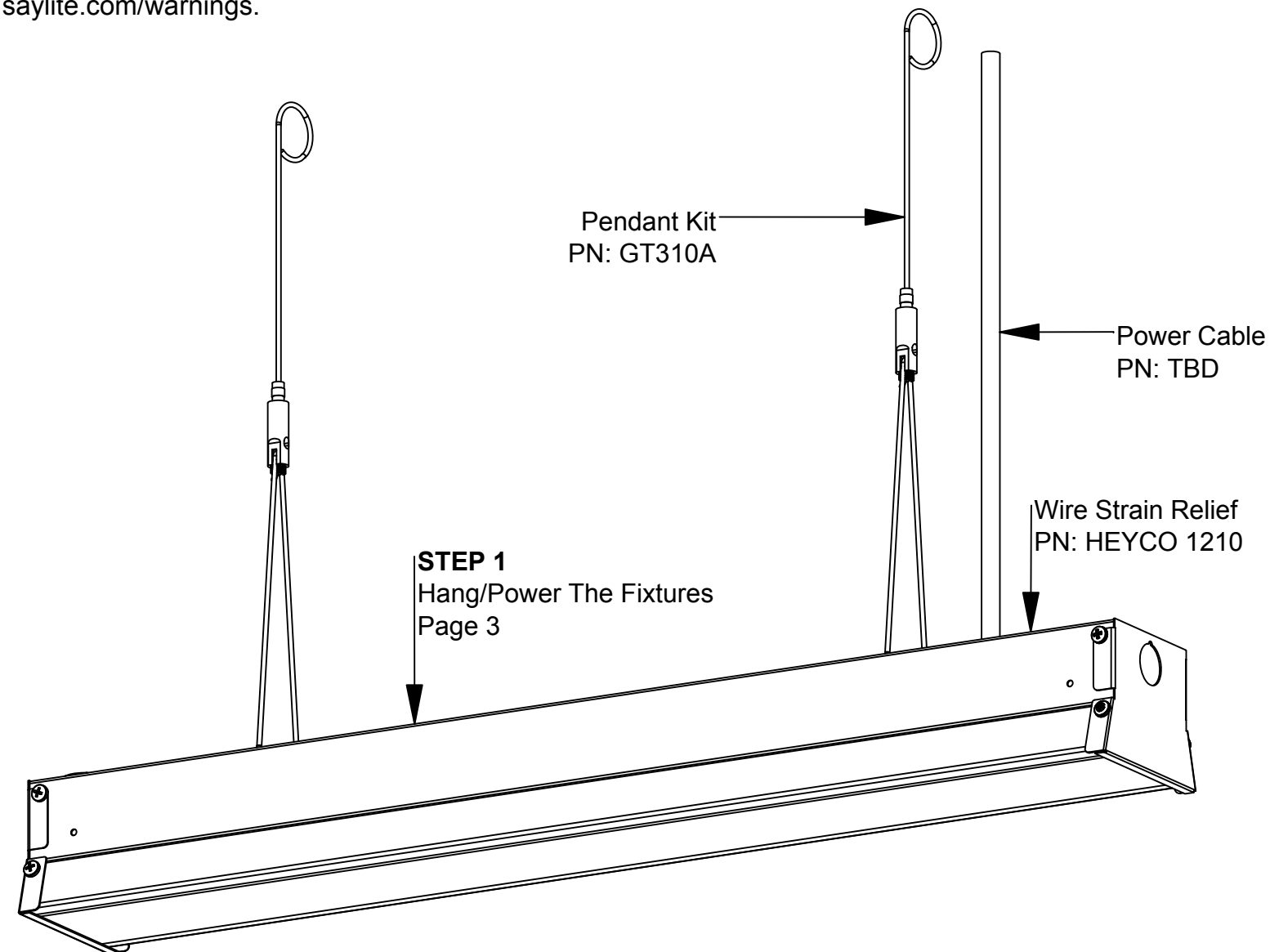


SAR-Pendant-Single-Five Below Installation Instructions

Overview

WARNINGS

- This product must be installed in accordance with all applicable codes by a person familiar with the product.
- Each luminaire must be **properly supported** during install.
- **DO NOT** join fixtures on the floor prior to lifting, or damage will occur.
- **Before beginning installation**, review our complete list of warnings by visiting www.saylite.com/warnings.



We believe
in the power
of light.



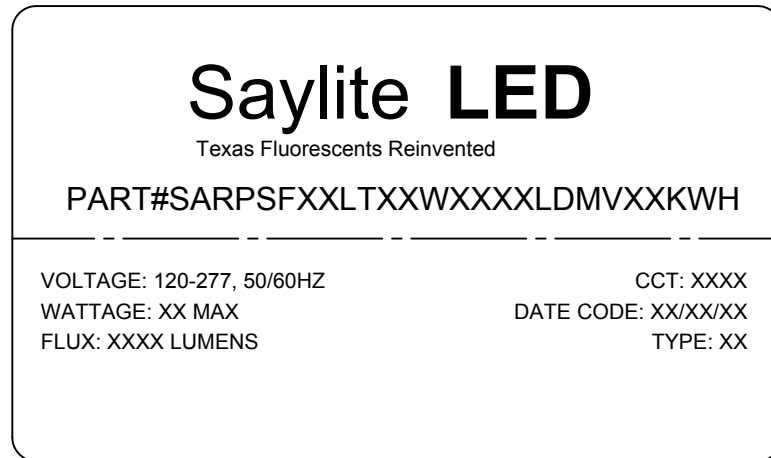
SAR-Pendant-Single-Five Below Installation Instructions

Preparation - Tools/Parts Identification



Texas Fluorescents Reinvented

A. Identify Fixtures



- Use labels found on the box and inside fixture bodies to identify bodies.
- **NOTE:** Locations of labels can vary.
- Remove all fixtures from their boxes.
- Organize fixtures based on their labels at the install location.

B. Tools Needed



Screwdriver

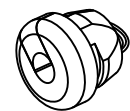


Safety Glasses

- Always use proper safety equipment when installing fixtures.
- Tools shown are recommended for standard install. Tools needed may vary based on actual install location conditions.

C. Identify Parts

All Parts Shown Are Required



Wire Strain Relief
PN: HEYCO 1210



Pendant Mount Kit
PN: GT310A



Power Cable
PN: TBD

- Read entire install instructions before beginning installation.
- Unpack all components and arrange in order of install steps.
- For help with installation, please contact us at www.saylite.com or call us at (972) 247-3171.

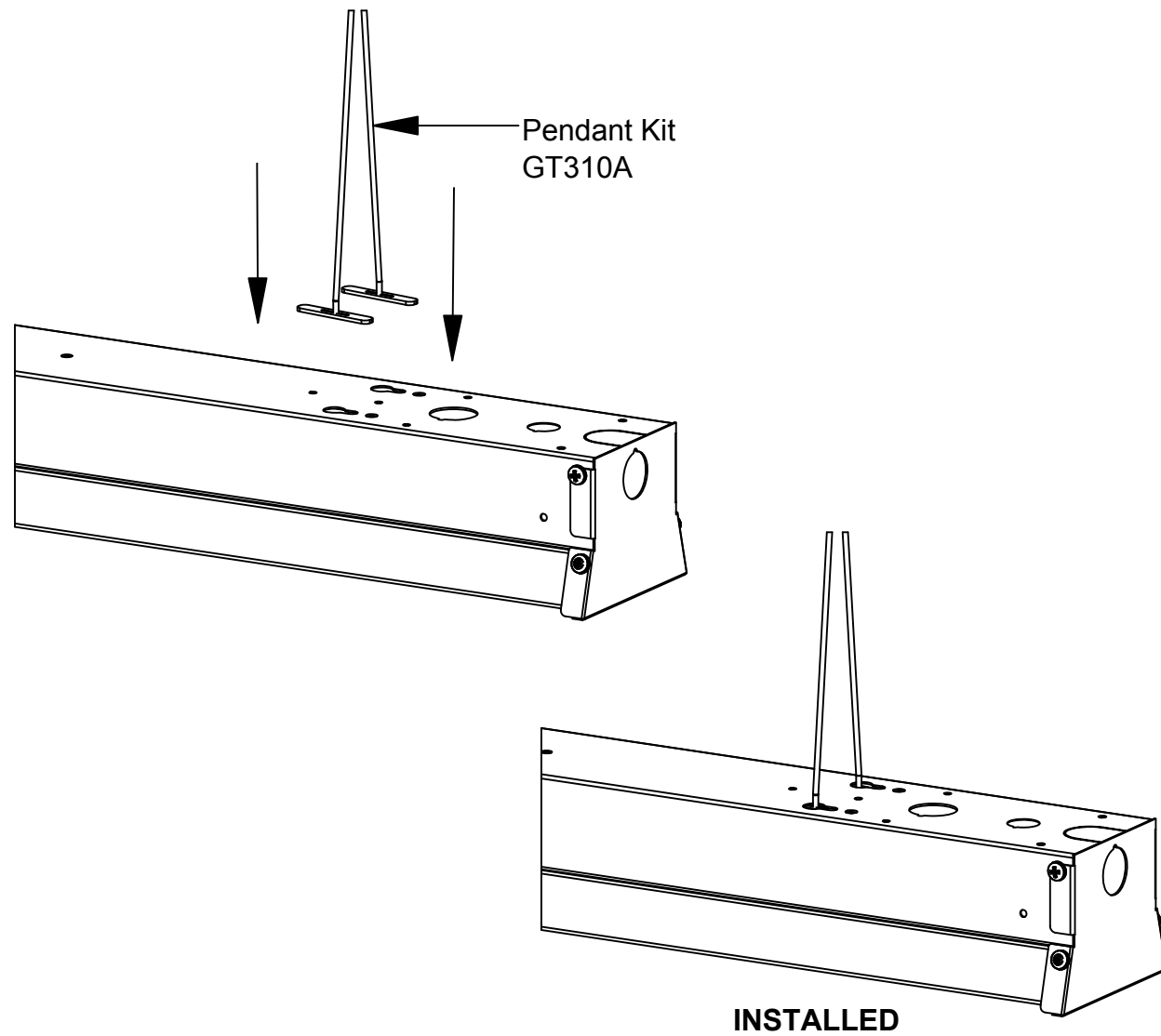
SAR-Pendant-Single-Five Below Installation Instructions

Step 1 - Hang/Power The Fixture



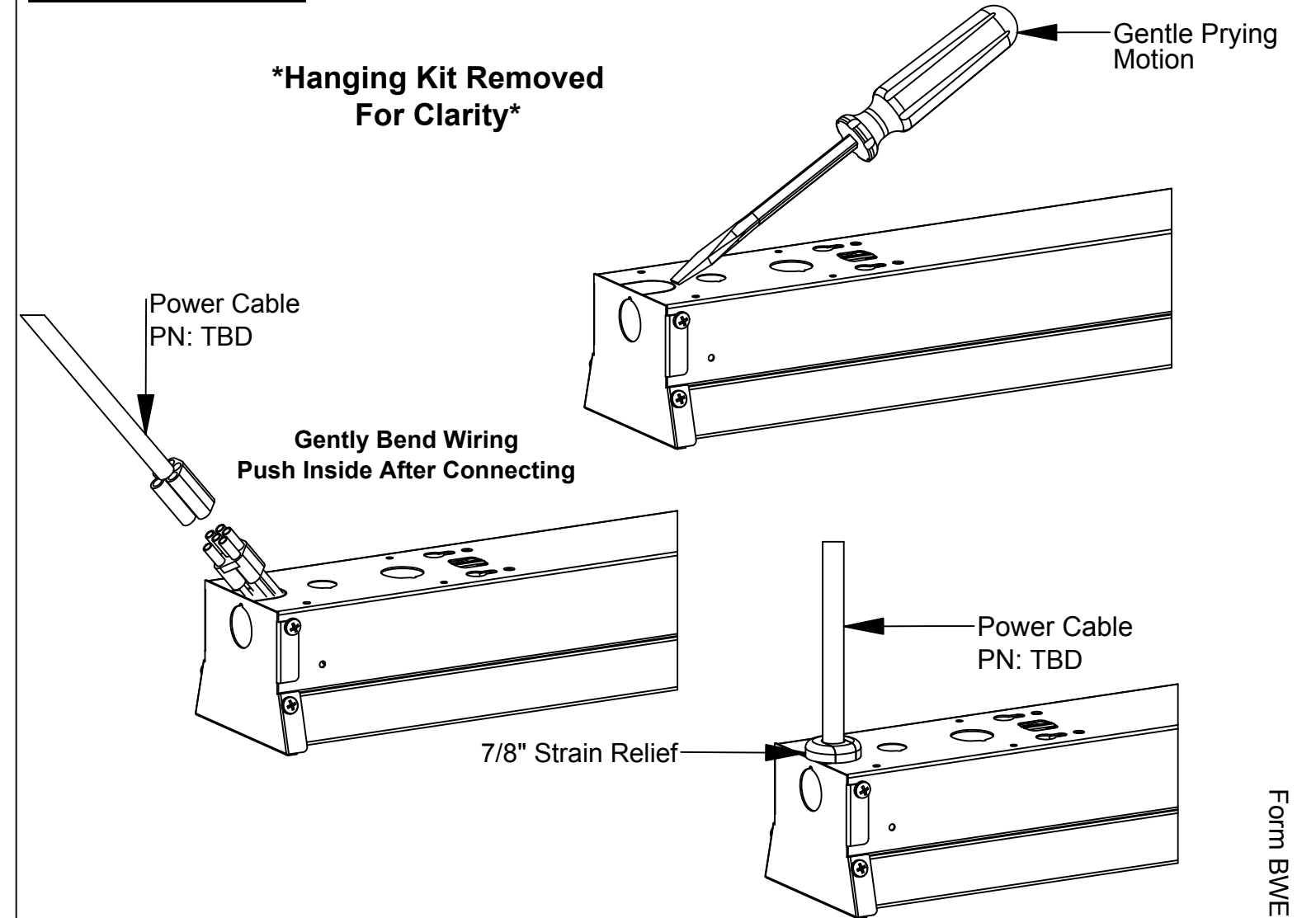
Texas Fluorescents Reinvented

A. Install Hanging Kit

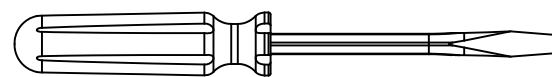


- Install the pendant mount kits by turning the paddles and insert in the keyways on the fixture.
- See the kit install instructions on the GT310A packaging for details.

B. Install Power



- Connect power where desired by removing the "D" shaped cut out as shown above.
- Gently bend the wiring upwards so that it is extruding from the top of the "D" shaped cut out as shown.
- Plug female end of harness from power cord in to the fixture harness and tuck back in to fixture.
- Secure the wiring in place by installing the required 7/8" strain relief as shown.
- Install is now complete.



Flat Tip Screwdriver



Power Cable
PN:TBD