

SAR-Pendant-Five Below Installation Instructions

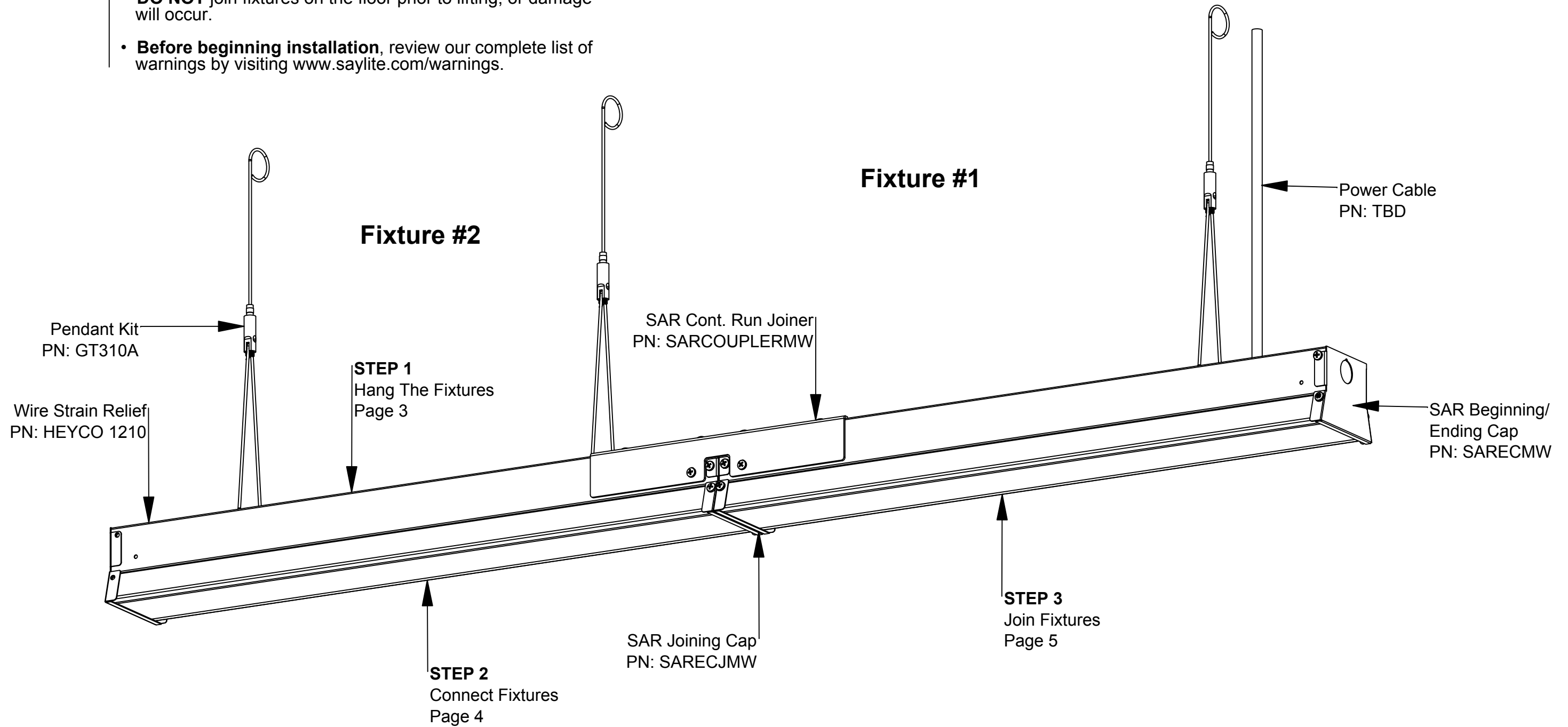
Overview



Texas Fluorescents Reinvented

WARNINGS

- This product must be installed in accordance with all applicable codes by a person familiar with the product.
- Each luminaire must be **properly supported** during install.
- **DO NOT** join fixtures on the floor prior to lifting, or damage will occur.
- **Before beginning installation**, review our complete list of warnings by visiting www.saylite.com/warnings.



We believe
in the power
of light.



Your particular build may vary.

2019© Saylite | 2055 Luna Road, Suite 142 Carrollton, Texas 75006 | www.saylite.com

1 of 5

Form BWE - SAR-Pendant-Five Below, V2 5/19

SAR-Pendant-Five Below Installation Instructions

Preparation - Tools/Parts Identification



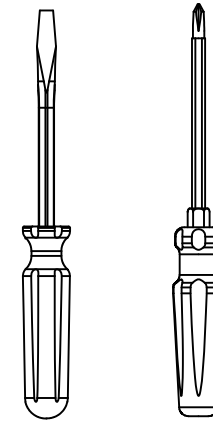
Texas Fluorescents Reinvented

A. Identify Fixtures



- Use labels found on the box and inside fixture bodies to identify bodies.
- **NOTE:** Locations of labels can vary.
- Remove all fixtures from their boxes.
- Organize fixtures based on their labels at the install location.

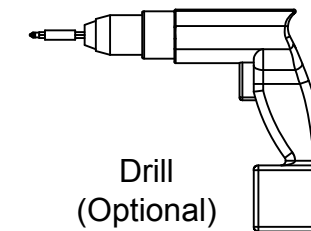
B. Tools Needed



Screwdrivers



Safety Glasses

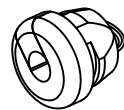


Drill
(Optional)

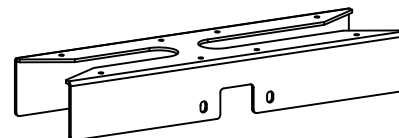
- Always use proper safety equipment when installing fixtures.
- Tools shown are recommended for standard install. Tools needed may vary based on actual install location conditions.

C. Identify Parts

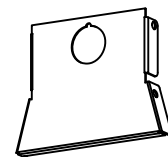
All Parts Shown Are Required



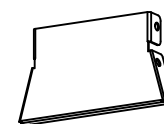
Wire Strain Relief
PN: HEYCO 1210



SAR Cont. Run Joiner
PN: SARCOUPLERMW



SAR Beginning/Ending Cap
PN: SARECMW



SAR Joining Cap
PN: SARECJMW



Pendant Mount Kit
PN: GT310A



Power Cable
PN: TBD

- Read entire install instructions before beginning installation.
- Unpack all components and arrange in order of install steps.
- For help with installation, please contact us at www.saylite.com or call us at (972) 247-3171.

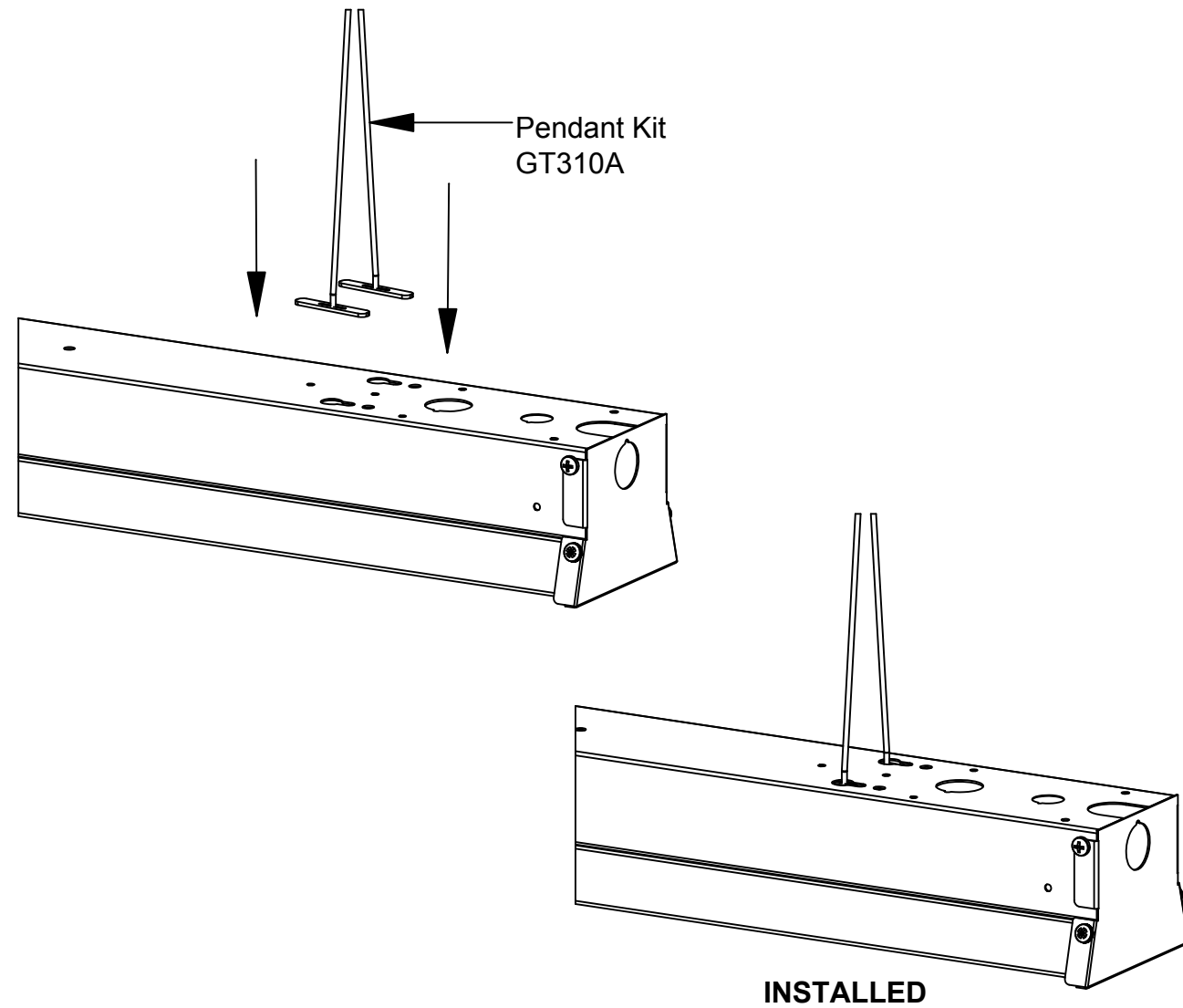
SAR-Pendant-Five Below Installation Instructions

Step 1 - Hang The Fixtures



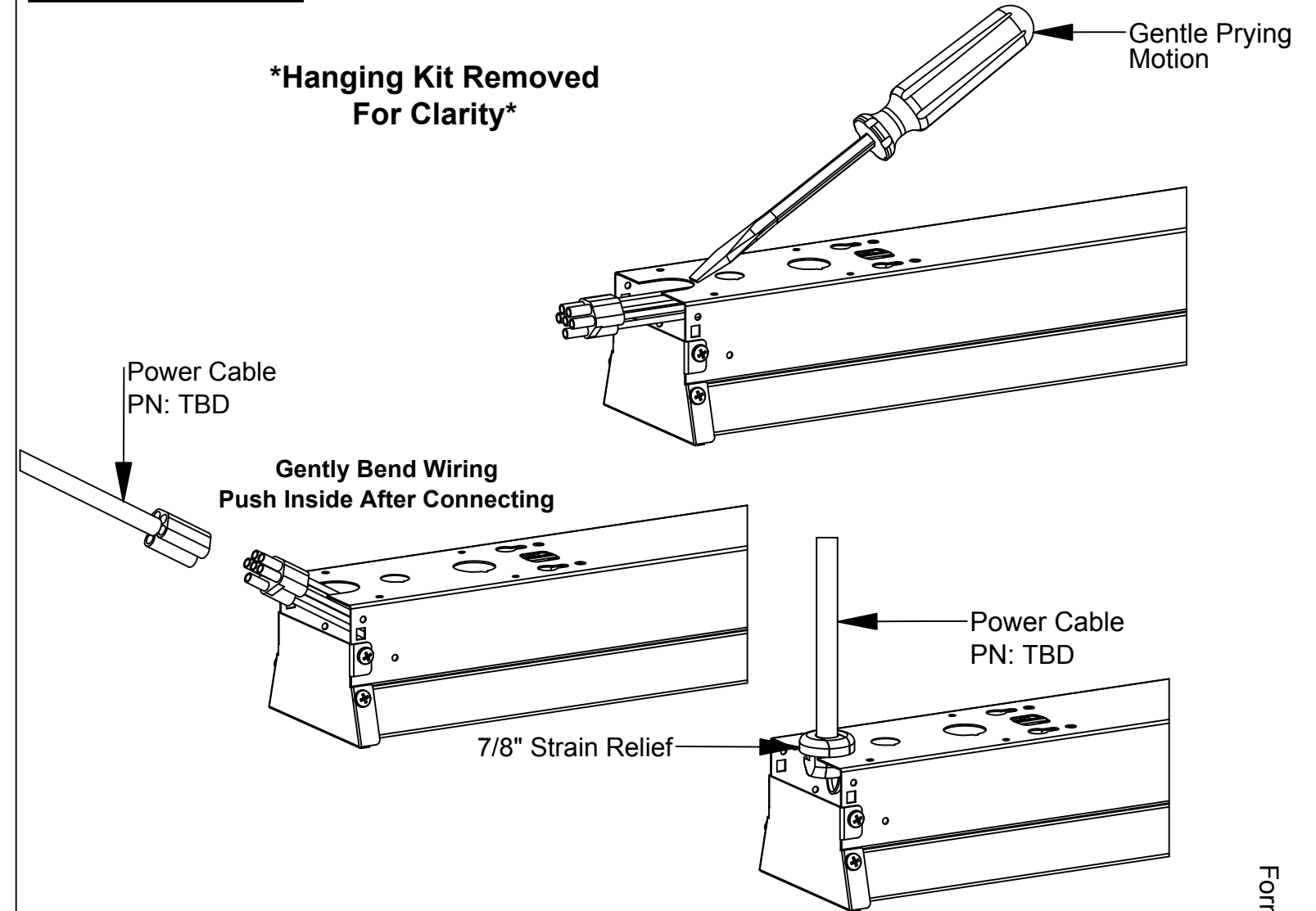
Texas Fluorecents Reinvented

A. Install Hanging Kit In Beginner

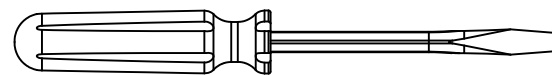


- Install the pendant mount kits by turning the paddles and insert in in the keyways on the fixture.
- See the kit install instructions on the GT310A packaging for details.

B. Install Power



- Connect power where desired by removing the "D" shaped cut out as shown above.
- Gently bend the wiring upwards so that it is extruding from the top of the "D" shaped cut out as shown.
- Plug female end of harness from power cord in to the fixture harness and tuck back in to fixture.
- Secure the wiring in place by installing the provided 7/8" strain relief as shown.
- Repeat at each location where power is desired.



Flat Tip Screwdriver



Power Cable
PN:TBD

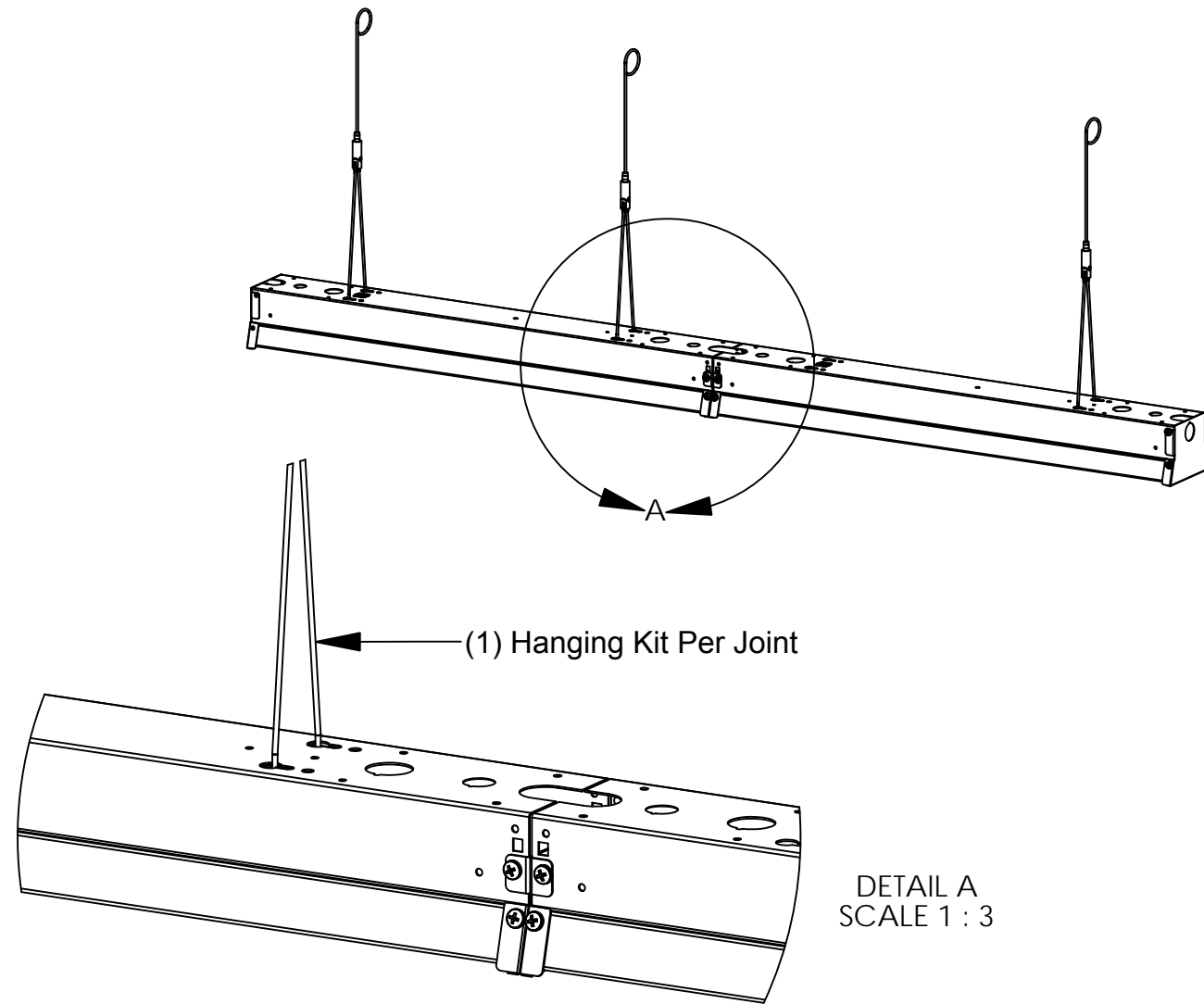
SAR-Pendant-Five Below Installation Instructions

Step 2 - Connect Fixtures



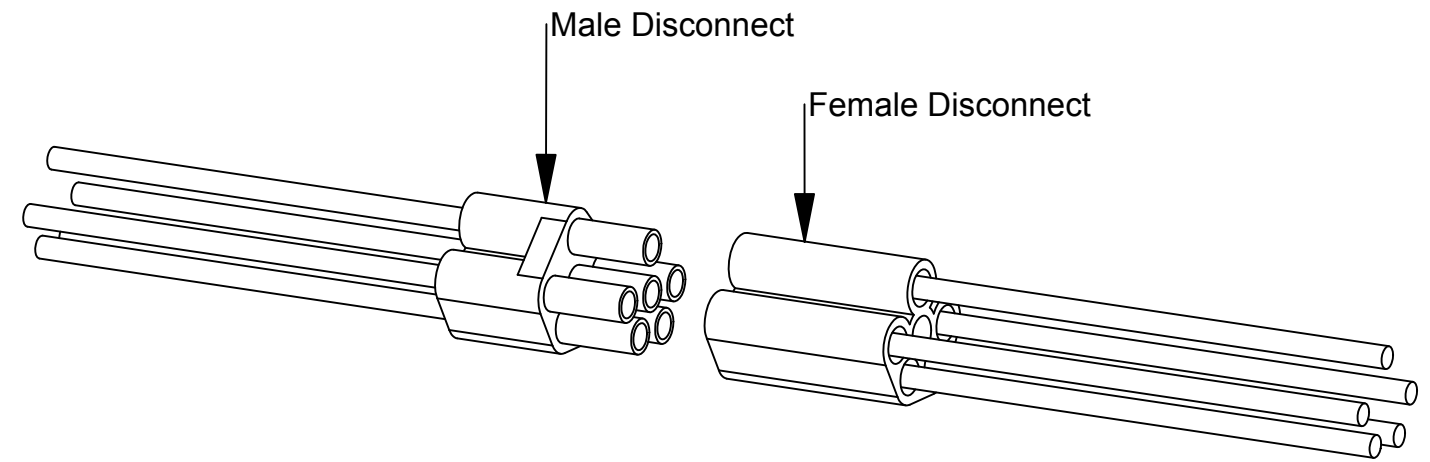
Texas Fluorescents Reinvented

A. Install Hanging Kits In Joiners



- Starting with one end, hang fixtures one by one to installation surface.
- Only (1) hanging kit is required per joint.

B. Join Two Fixtures Electrically



- Using the provided 5 wire harnesses, piggyback fixtures in desired quantities.
- **Note:** Make sure 5 wire harnesses are securely joined. Press together until a "click" is felt.

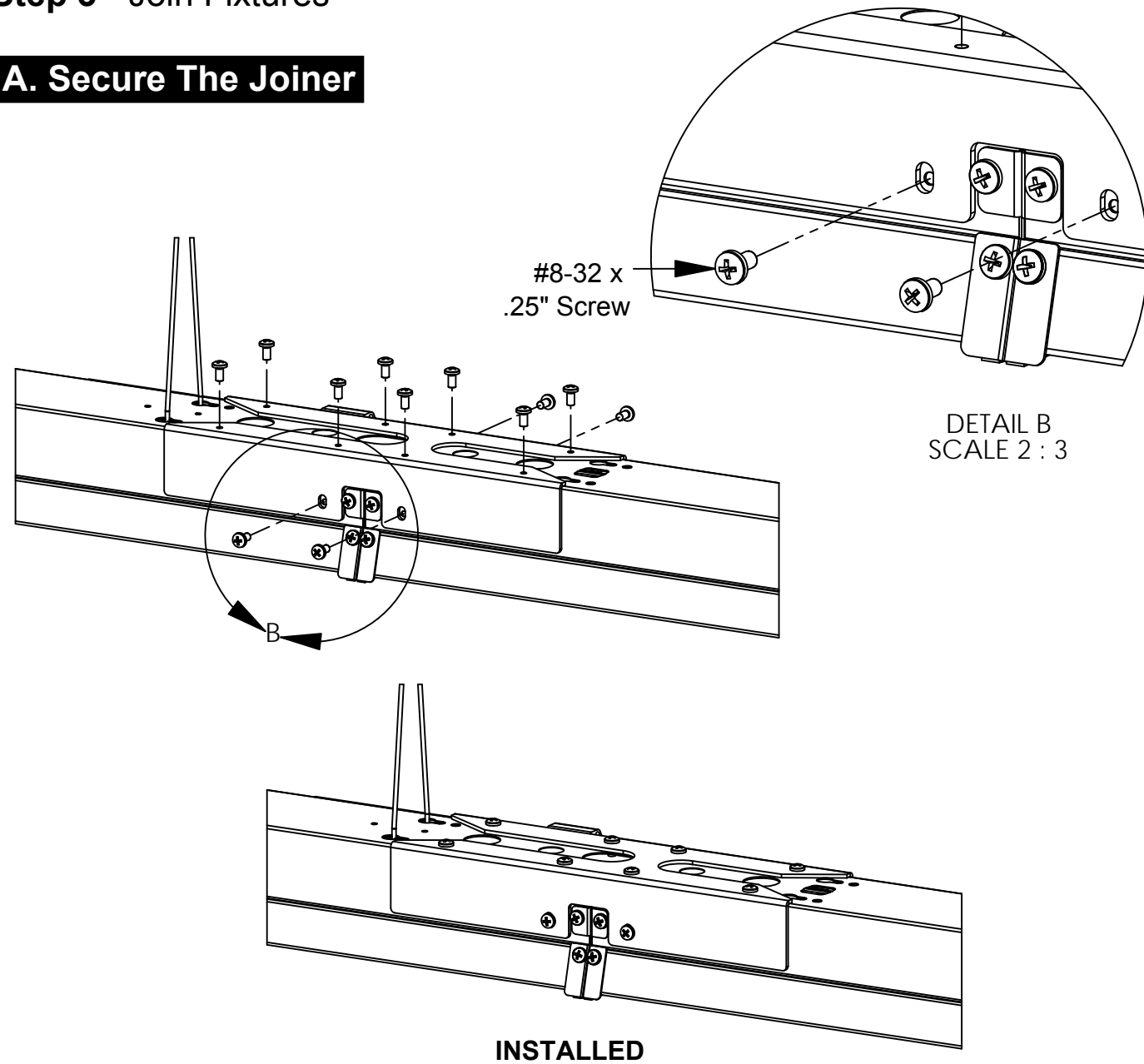
SAR-Pendant-Five Below Installation Instructions

Step 3 - Join Fixtures



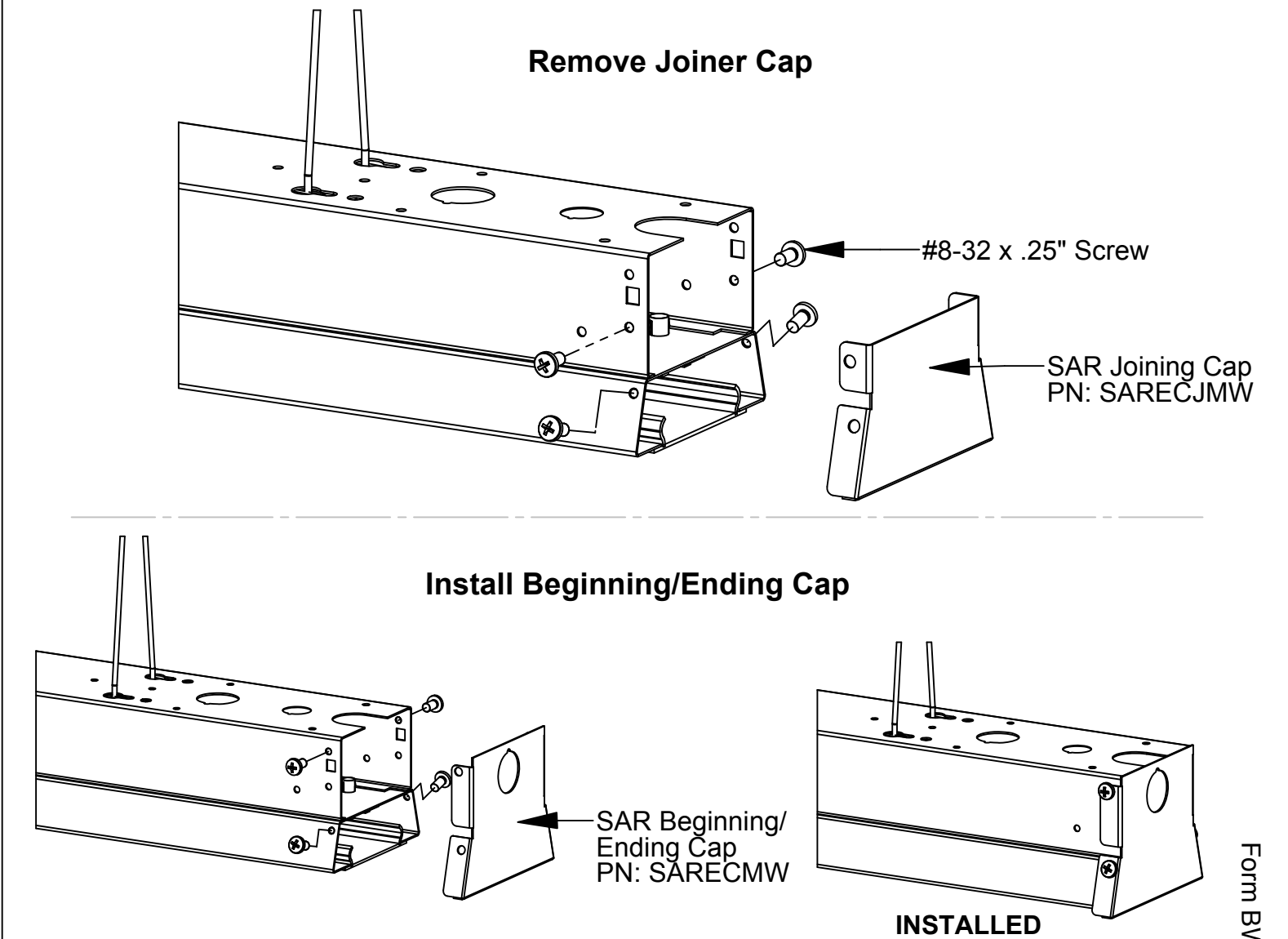
Texas Fluorescents Reinvented

A. Secure The Joiner

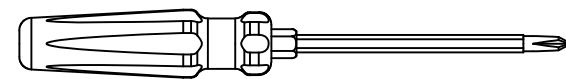


- Position the joiner piece as shown by centering to the holes in the joining fixtures.
- Secure the joining piece by installing (12) #8-32 x .25" screws to the locations shown above.
- **Note:** Install the joiner piece for every joint. Only (1) pendant mount per joint is required.

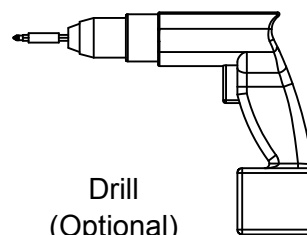
B. Replace End Caps



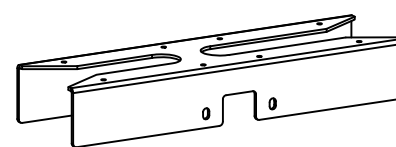
- For the start and end of every run, remove the joiner end cap.
- Install the beginning/ending caps as shown above.
- Secure the end caps by reinstalling the previously removed (4) #8-32 x .25" screws.



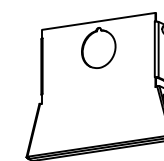
Philips Screwdriver



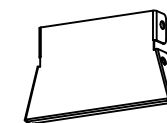
Drill
(Optional)



SAR Cont. Run Joiner
(Provided)



SAR Beginning/Ending Cap
(Provided)



SAR Joining Cap
(Provided)