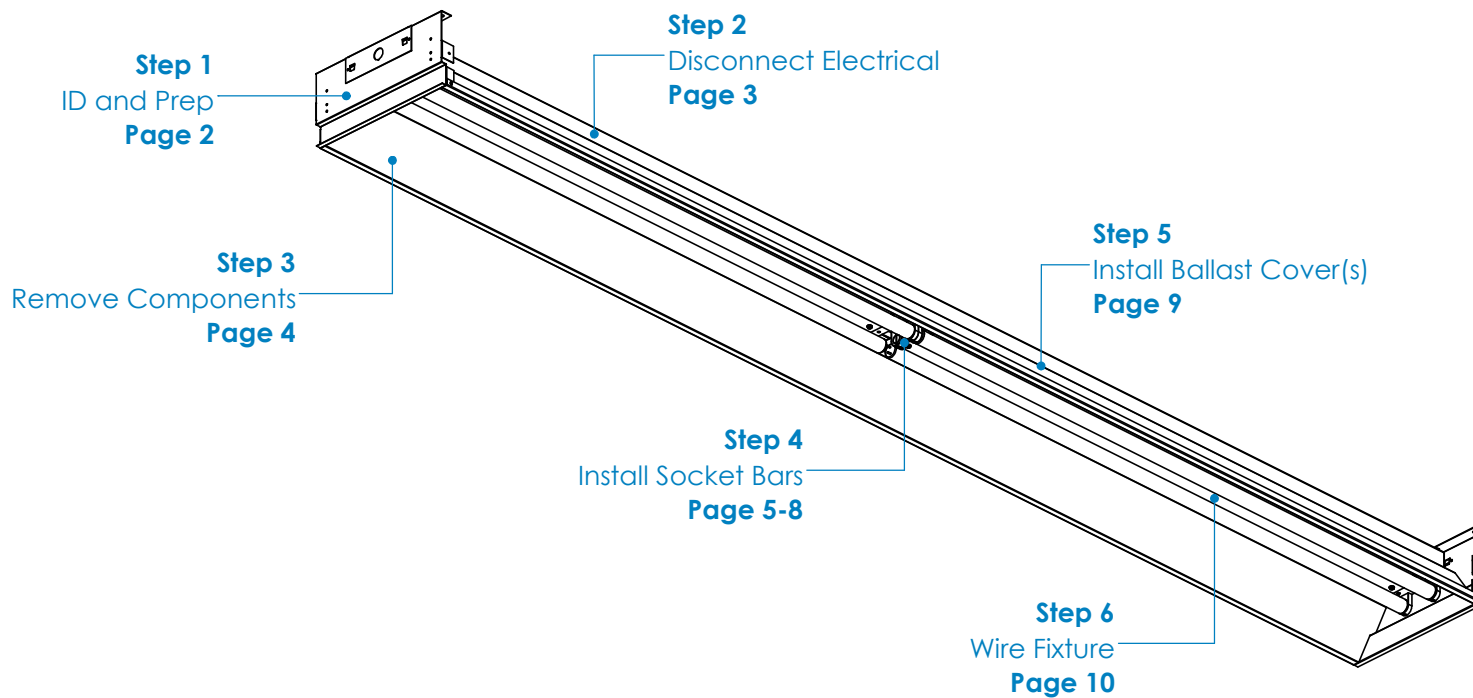


RKITB Installation Instructions

Overview

WARNINGS

- This product must be installed in accordance with all applicable codes by a person familiar with the product.
- Each fixture must be **properly supported** during install.
- **DO NOT** join fixtures on the floor prior to lifting, or damage will occur.
- **Before beginning installation**, review our complete list of warnings by visiting www.saylite.com/warnings.



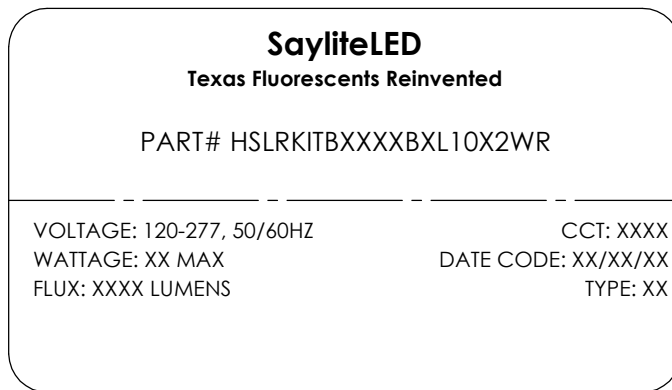
Your particular build may vary.

2020© Saylite | 2055 Luna Road, Suite 142 Carrollton, Texas 75006 | www.saylite.com

RKITB Installation Instructions

Step 1 - Identification and Preparation

A. Identify Fixtures



- Use labels found on the box and inside the fixture bodies to identify bodies.
- **NOTE:** Locations of labels can vary.
- Remove all fixtures from their boxes.
- Organize fixtures based on their labels at the install location.
- **Included hardware will vary depending on fixture model and configuration.**

B. Tools Needed



Screwdrivers



Pliers



Safety Glasses

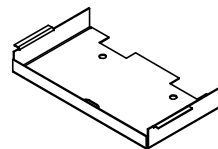
- Always use proper safety equipment when installing fixtures.
- Tools shown are recommended for standard install. Tools needed may vary based on actual install location conditions.

Kitted Hardware

- Saylite has provided the items listed here, with their Saylite part numbers listed. These items can be found in separate boxes shipped with the fixture.
- Ensure all parts are accounted for and set them aside until needed.
- Any additional hardware needed for this installation will be provided by others.



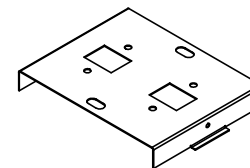
Pre-Wired Sockets (X1 or X2)
(QTY: 1 Assy)



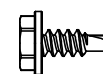
RKITB End Socket Bar
(QTY: 2)



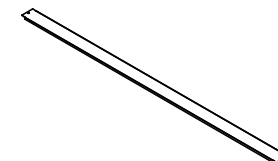
Butterfly Nuts
(QTY: 2 per 4 ft)



RKITB Center Socket Bar
(QTY: 1 per 8 ft)



TEK Screws
(QTY: 4 per 4 ft)

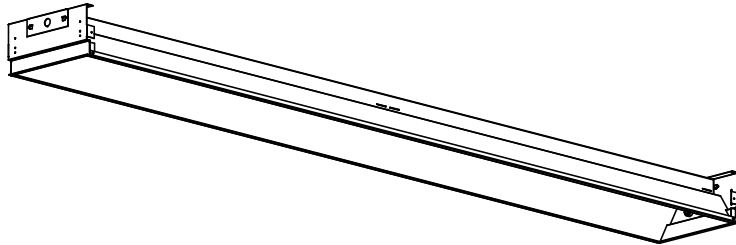


RKITB Ballast Cover
(QTY: 1 per 4 ft)

RKITB Installation Instructions

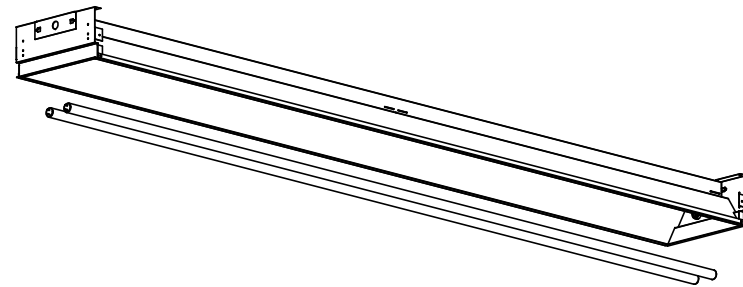
Step 2 - Disconnect Electrical

A. Disconnect Power



- **Shut off power supply to fixture before disconnecting any wiring components.**
- Disconnect power feed from fixture according to all local, state and national codes.

B. Remove Bulbs

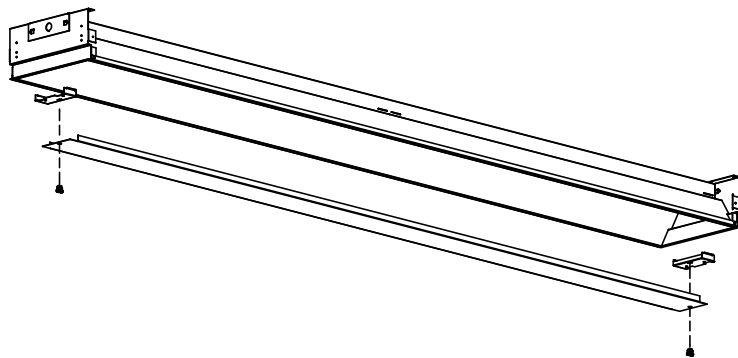


- Remove the 8 ft bulbs from the sockets.
- Recycle or discard of the bulbs appropriately.

RKITB Installation Instructions

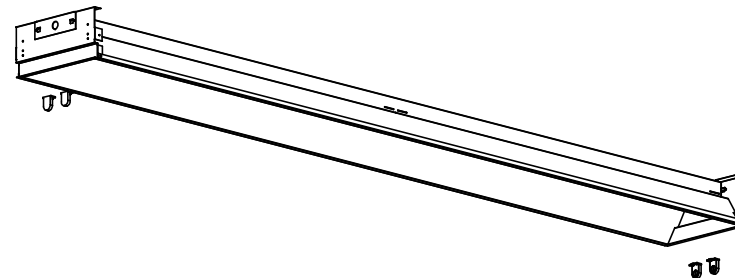
Step 3 - Remove Obsolete Components

A. Uninstall Ballast Cover and Socket Bars



- Remove the quarter-turn fasteners or screws and uninstall the ballast cover.
- Uninstall the obsolete socket bars and discard.

B. Remove Bulb Sockets



- Remove the old bulb sockets with associated wiring and discard.

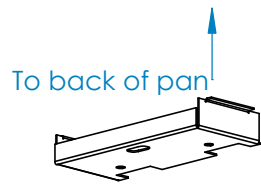
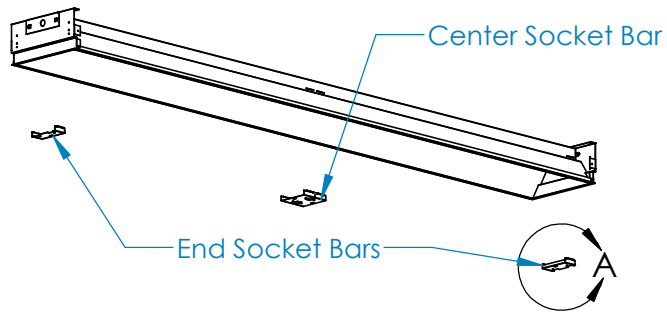
RKITB Installation Instructions

Step 4 - Install Socket Bars



Texas Fluorescents Reinvented

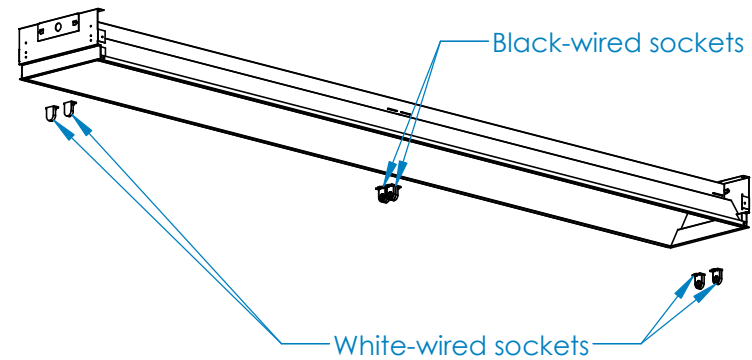
A. Install End/Center Socket Bars



DETAIL A
SCALE 1 : 4

- Install the socket bars to the pan of the fixture with the tabs pointing upwards. Depending on fixture length and configuration a center socket bar may need to be installed as well.
- Ensure that end socket bars are aligned as shown above, with the oblong side closer to the center of the fixture.

B. Install Pre-Wire Sockets



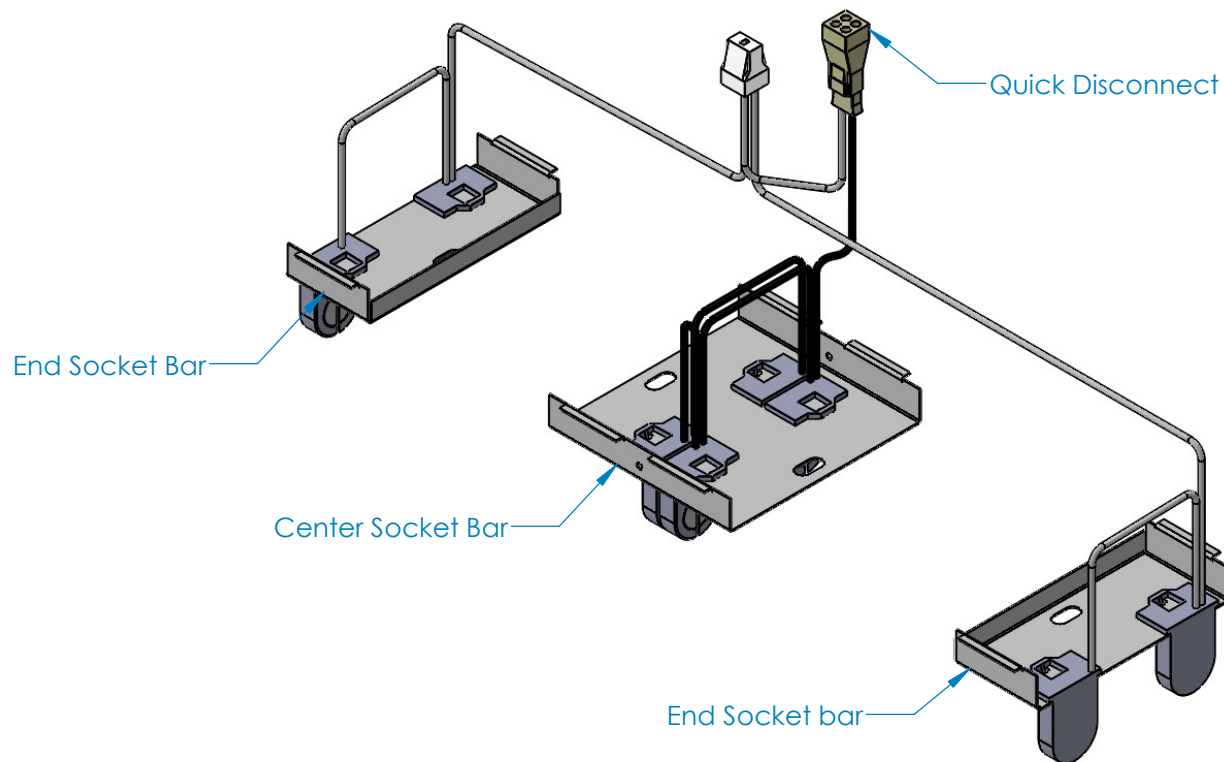
- Install the pre-wired sockets into the socket bars.
- Sockets will click into place when installed properly.
- The following pages show the proper installation of each pre-wired socket configuration. Each configuration corresponds to specific models of the RKITB fixture.

RKITB Installation Instructions

Step 4a - Socket Installation Schematics

Model Number(s):
HSLRKITB2328B4L10X2WR
HSLRKITB2328B5L10X2WR

Fixture Pan Not Shown For Clarity

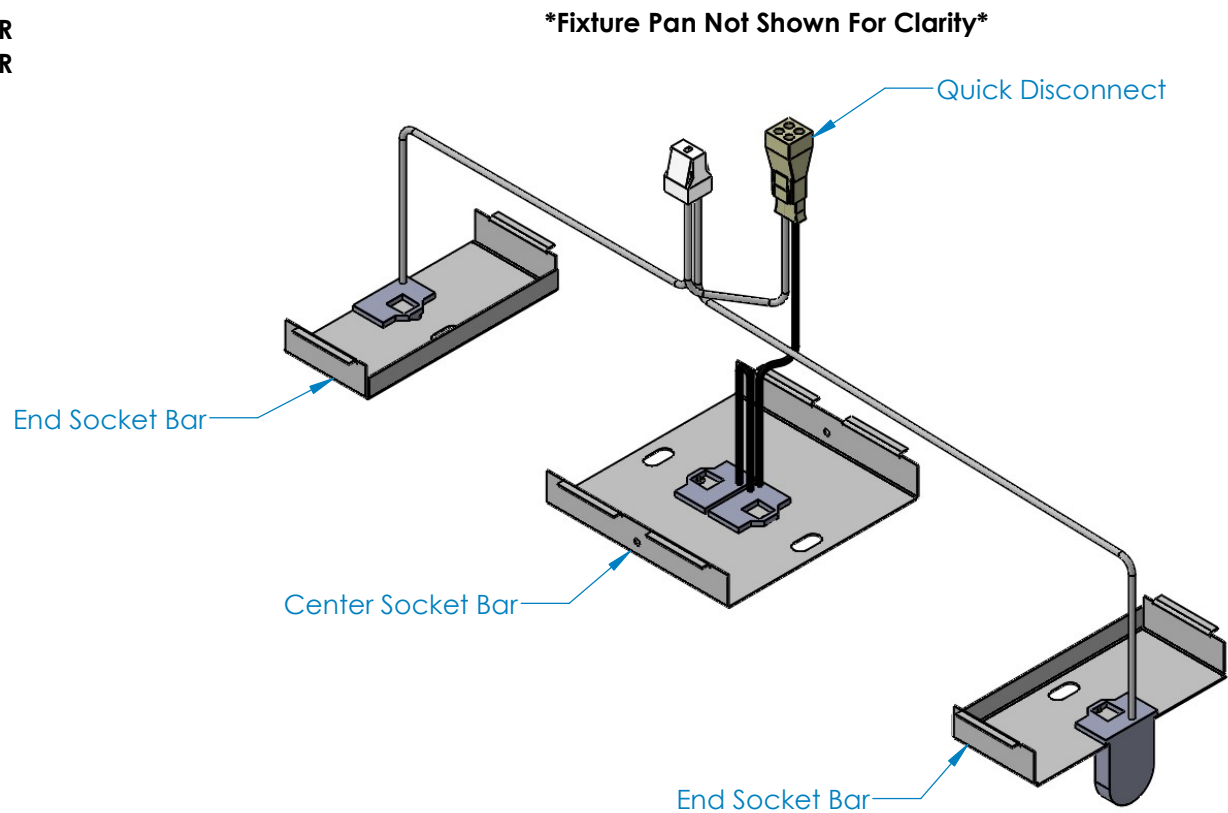


- For the models listed above, the sockets with black wires are installed to the center socket bar and the sockets with white wires are installed to the end socket bars.

RKITB Installation Instructions

Step 4a - Socket Installation Schematics

Model Number(s):
HSLRKITB1328B4L10X2WR
HSLRKITB1328B5L10X2WR



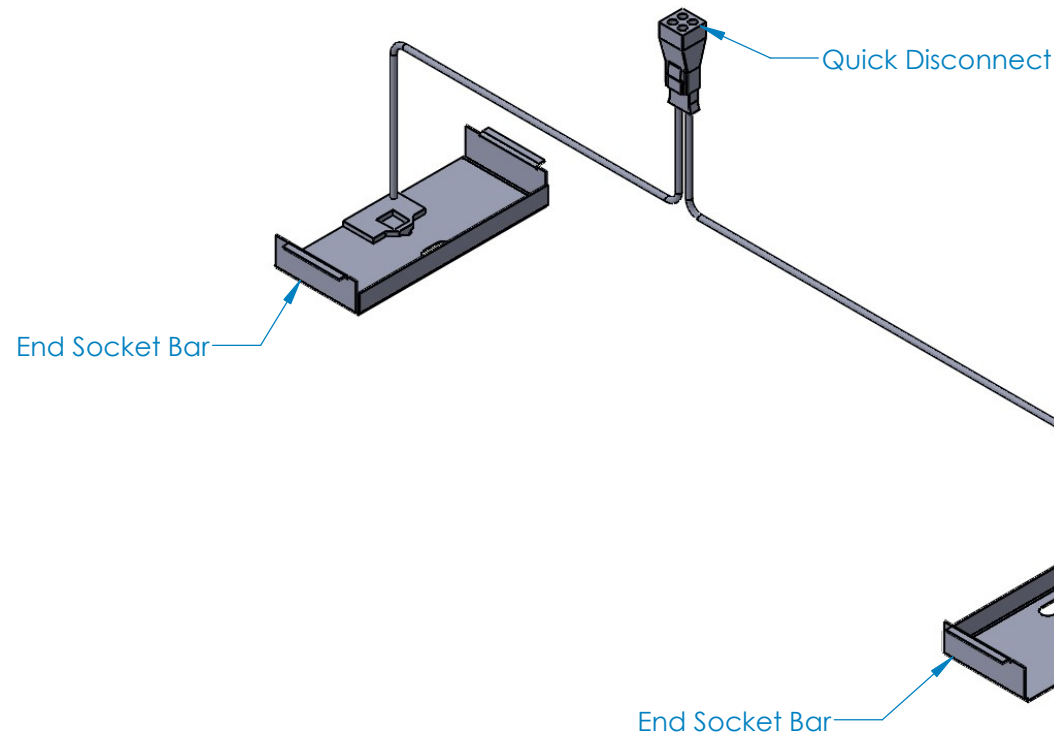
- For the models listed above, the sockets with black wires are installed to the center socket bar and sockets with white wires are installed to the end socket bars.

RKITB Installation Instructions

Step 4a - Socket Installation Schematics

Model Number(s):
HSLRKITB132B4L10X2WR
HSLRKITB132B5L10X2WR

Fixture Pan Not Shown For Clarity



- For the models listed above, the socket with black wires are installed on one end socket bar and the socket with white wires are installed on the opposite end socket bar.

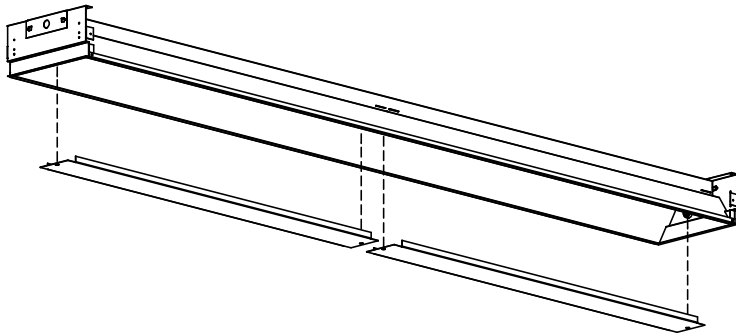
RKITB Installation Instructions

Step 5 - Install Ballast Covers

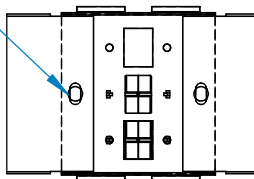


Texas Fluorescents Reinvented

A. Align Ballast Cover(s)



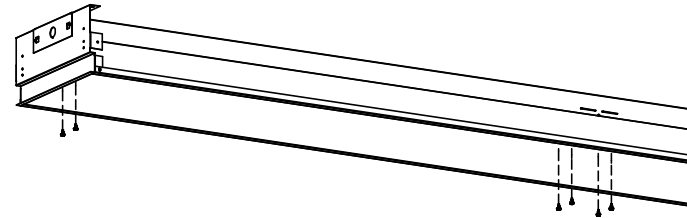
Align each side



**Detail View
Center Socket Bar Alignment**

- Align the holes of the ballast cover(s) to the oblongs of the installed socket bars.
- Ensure tabs of ballast cover(s) are facing the same direction as the tabs of the socket bars.

B. Secure Ballast Cover(s)



Secure Ballast Cover(s)

- Using either the provided self tapping screws or the butterfly nuts, secure the ballast cover(s) to the installed socket brackets.
- Ensure socket wiring is behind ballast cover(s) and that wiring is not damaged while securing ballast cover(s).

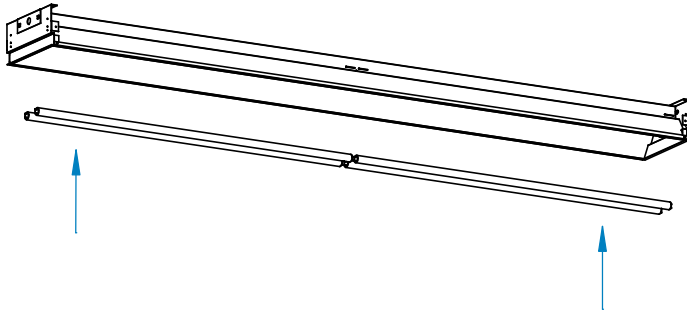
RKITB Installation Instructions

Step 6 - Rewire Fixture



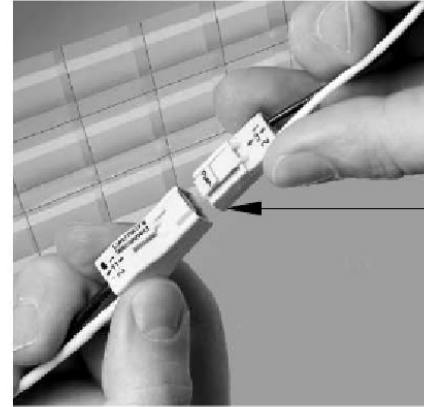
Texas Fluorescents Reinvented

A. Install New Bulbs



- Install the new bulbs (not provided) to the bulb sockets. Slide the bulbs into the slots of the sockets and rotate to secure.

B. Connect Fixture Wiring



WIRING LEGEND		
BLACK	HOT	Line Voltage
WHITE	NEUTRAL	Line Voltage
GREEN	GROUND	
GRAY	DIMMING	0-10V DC
VIOLET	DIMMING	0-10V DC

- Wire each fixture to the incoming power supply using the provided quick disconnect clip as shown.
- For dimming option, refer to wiring legend above.
- Use UL approved connectors only. Follow all local, state and national codes. Repeat for all remaining fixtures.
- Install is now complete