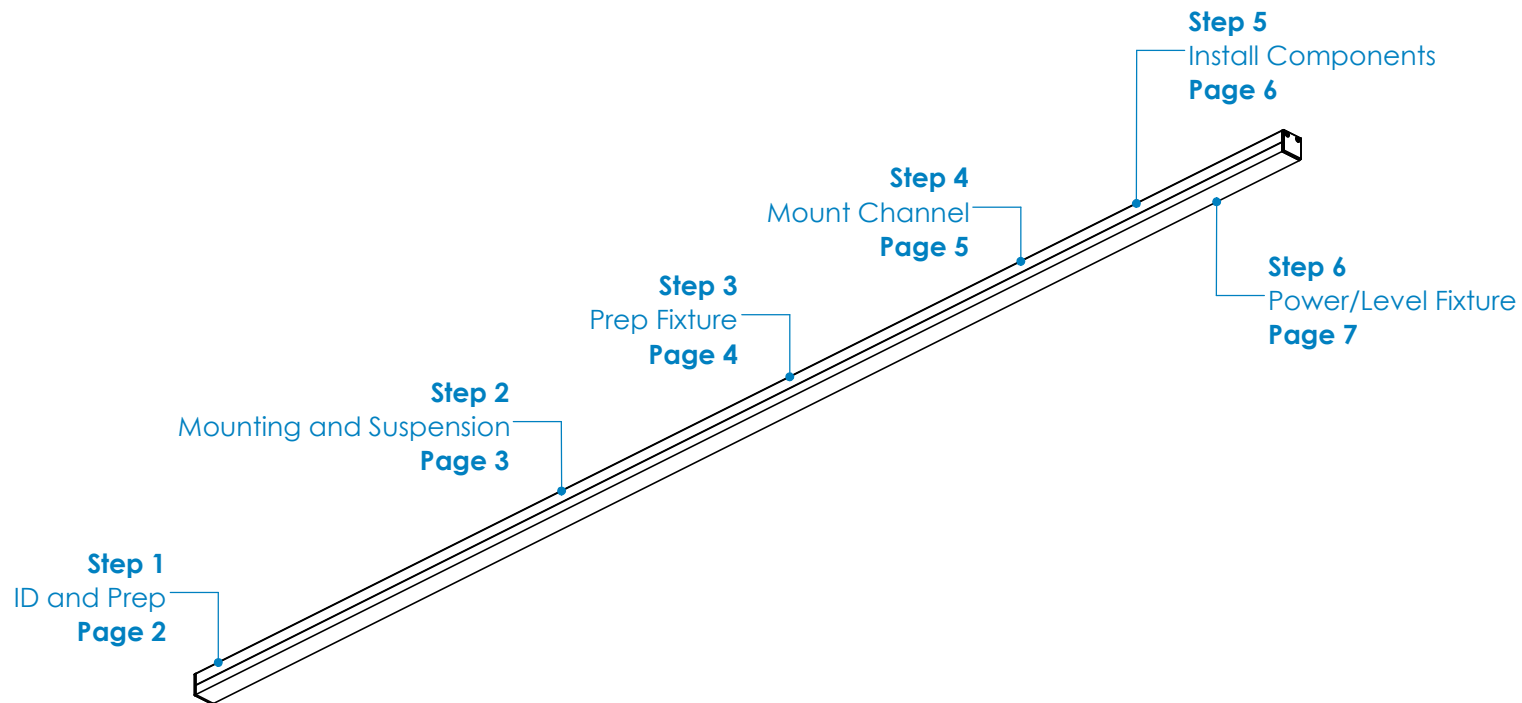


LLSA-Pendant Installation Instructions

Overview

WARNINGS

- This product must be installed in accordance with all applicable codes by a person familiar with the product.
- Each fixture must be **properly supported** during install.
- **DO NOT** join fixtures on the floor prior to lifting, or damage will occur.
- **Before beginning installation**, review our complete list of warnings by visiting www.saylite.com/warnings.



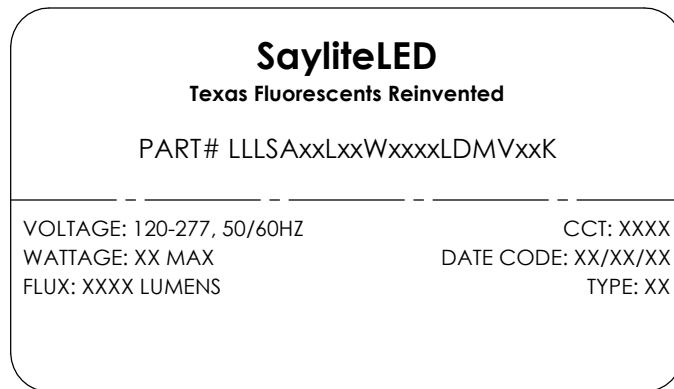
Your particular build may vary.

2020© Saylite | 2055 Luna Road, Suite 142 Carrollton, Texas 75006 | www.saylite.com

LLLSA-Pendant Installation Instructions

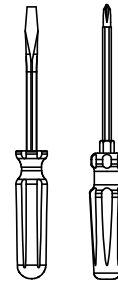
Step 1 - Identification and Preparation

A. Identify Fixtures



- Use labels found on the box and inside the fixture bodies to identify bodies.
- **NOTE:** Locations of labels can vary.
- Remove all fixtures from their boxes.
- Organize fixtures based on their labels at the install location.

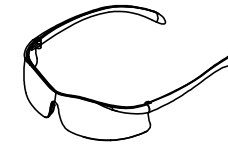
B. Tools Needed



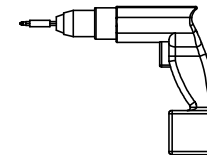
Screwdrivers



Pliers



Safety Glasses



Drill

- Always use proper safety equipment when installing fixtures.
- Tools shown are recommended for standard install. Tools needed may vary based on actual install location conditions.

Kitted Hardware

- Saylite has provided the items listed here, with their Saylite part numbers listed. These items can be found in separate boxes shipped with the fixture.
- Ensure all parts are accounted for and set them aside until needed.
- Any additional hardware needed for this installation will be provided by others.

LLLSA-Pendant Installation Instructions

Step 2 - Mounting and Suspension

Mounting

Drywall or other hard surfaces - HC 601/602 Hanging Kit*

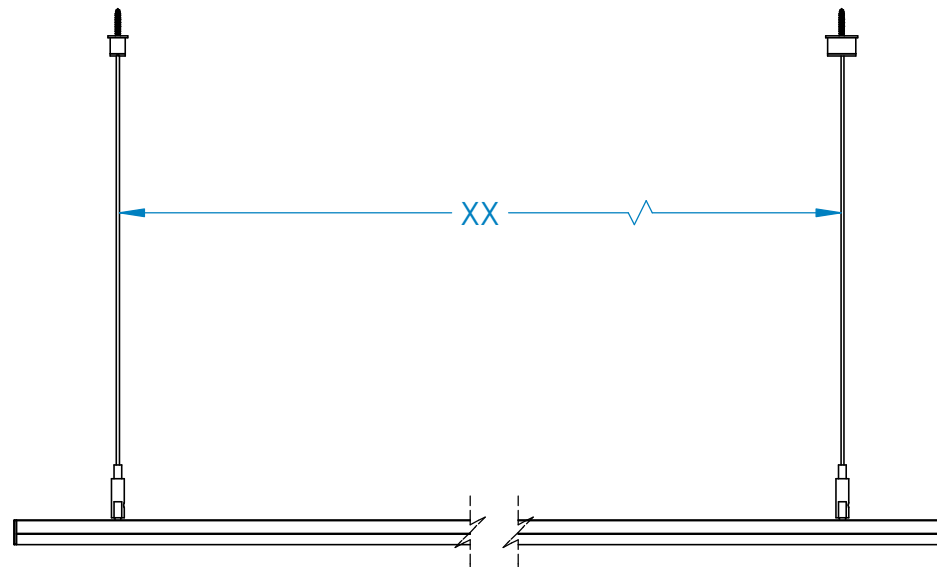
- Install hanging kits at suspension locations.
- Ensure hanging kits are secure.
- Prepare fixture for mounting.

Other hard surfaces include: wood, sheet metal panels, steel beams, concrete or masonry. Use hardware appropriate for each surface and material type.

Suspension Locations

X = Suspension Dimensions

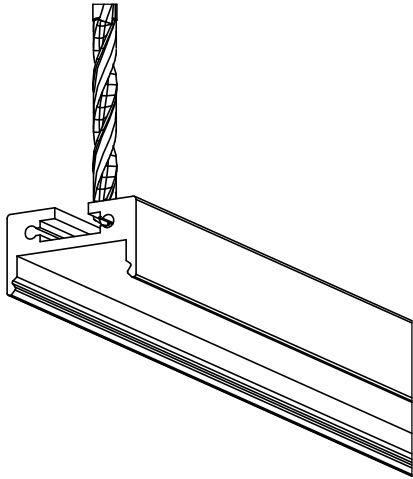
Refer to Assembly Drawings and building plans to determine exact mounting, suspension points, and power feed locations.



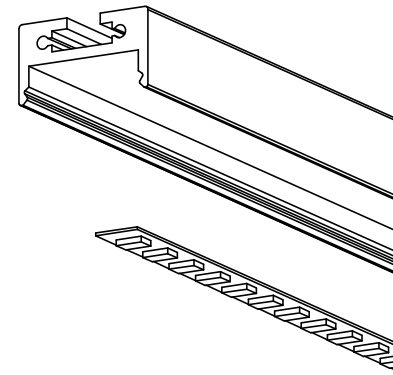
LLLSA-Pendant Installation Instructions

Step 3 - Prepare Fixture for Mounting

A. Drill Hole for LED Tape



B. Install LED Tape



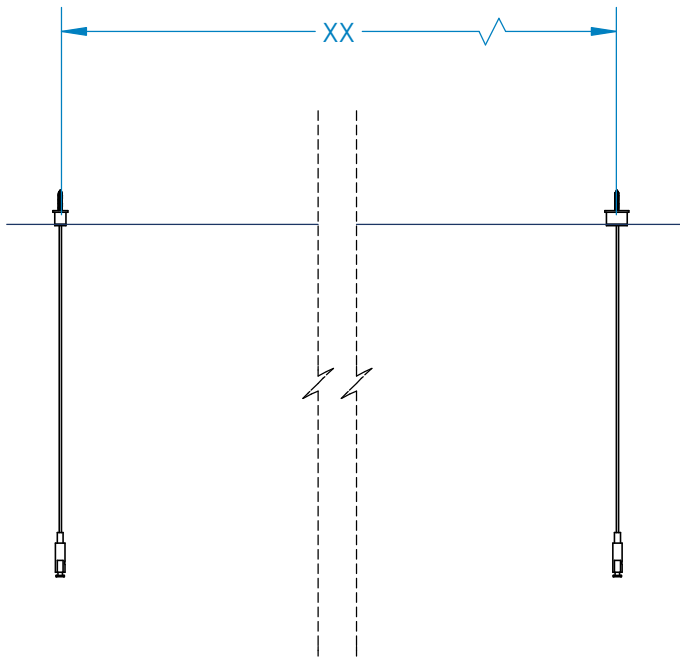
- Drill a hole in the channel to allow the power cord to pass thru.

- Mount the LED tape to the inner channel using double sided tape (sold separately).

LLSA-Pendant Installation Instructions

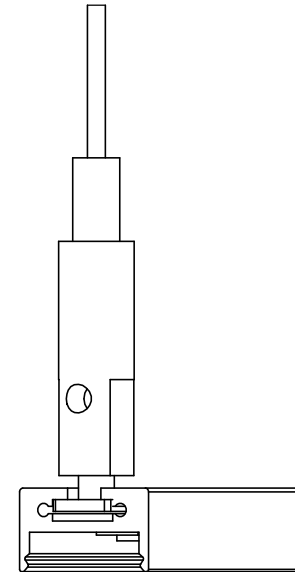
Step 4 - Hang the Fixture Channel

A. Install Hanging Kits



- Install the hanging kits to the ceiling at the desired mounting locations.
- Ensure that hanging kits are properly secured.
- Refer to hanging kit installation guide for more information.

B. Mount to Cable Grips

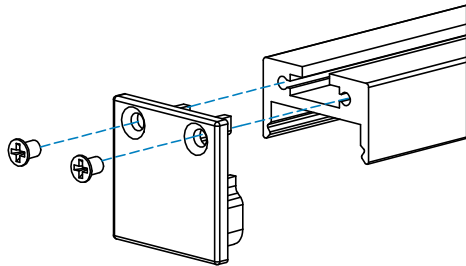


- Insert the slot screw of the cable gripper to the top slot of the fixture channel.
- Slide the slot screw inward to desired distance from fixture end.
- Tighten the slot screw by rotating the cable gripper.

LLLSA-Pendant Installation Instructions

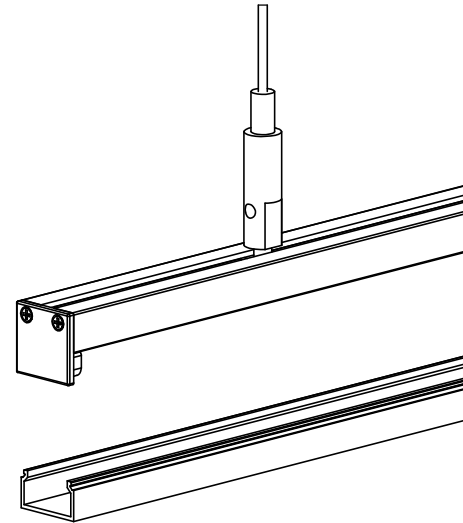
Step 5 - Install Components

A. Install Endcaps



- Install and secure the endcaps to the channel using the provided screws.

B. Install Lens



- Install the lens to the fixture, push the lens in until it snaps into place.

LLSA-Pendant Installation Instructions

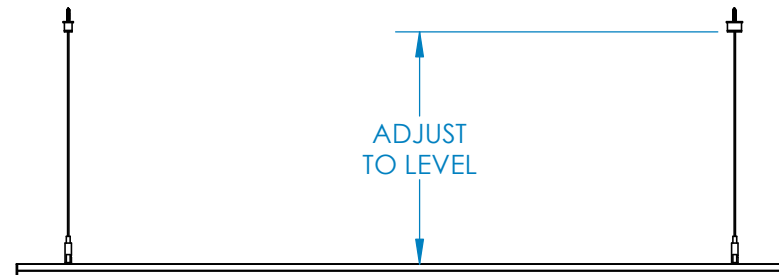
Step 6 - Power and Level the Fixture

A. Wire the Fixture

WIRING LEGEND		
BLACK	HOT	Line Voltage
WHITE	NEUTRAL	Line Voltage

- Wire fixtures to the incoming power supply.
- Use UL approved connectors only. Follow all local, state and national codes. Repeat for all remaining fixtures.

B. Level the Fixture



- Adjust hanging cables to level the fixture as needed.
- Fixture installation is now complete.