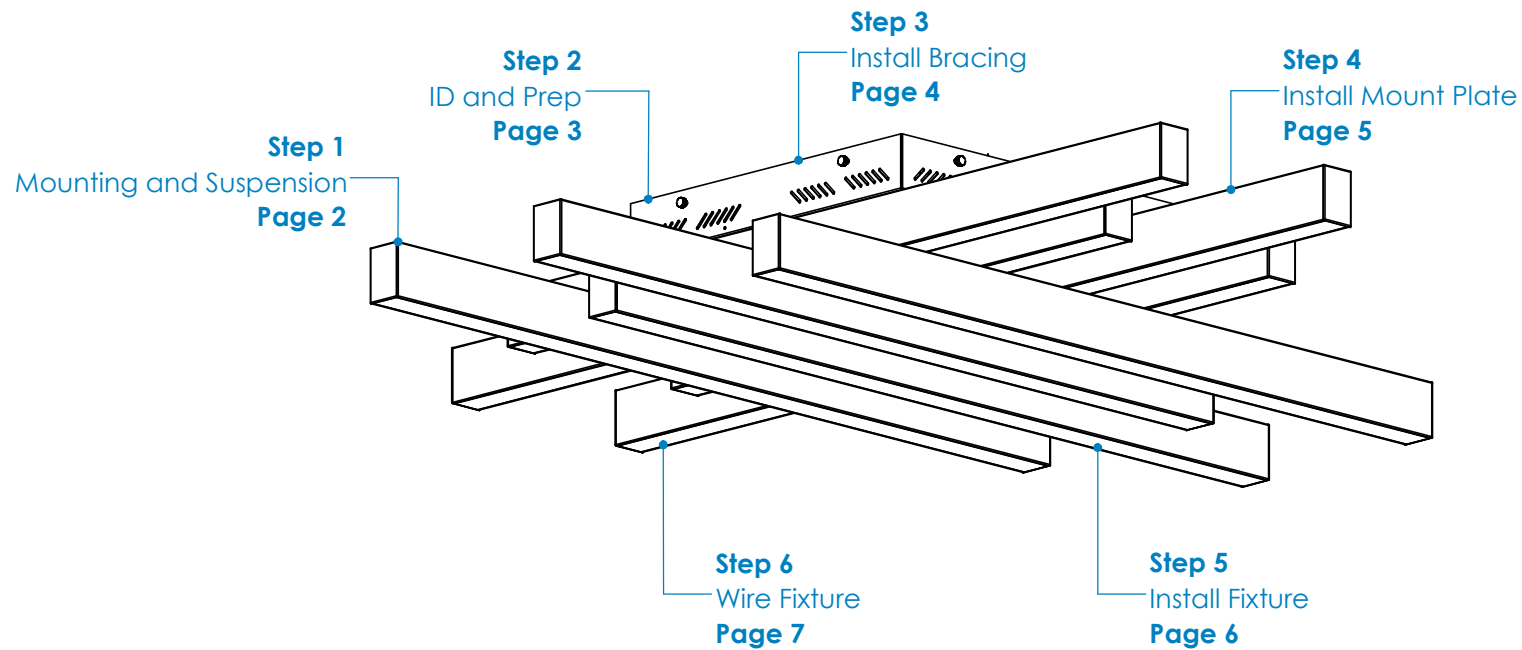


L23H Installation Instructions

Overview

WARNINGS

- This product must be installed in accordance with all applicable codes by a person familiar with the product.
- Each fixture must be **properly supported** during install.
- **DO NOT** join fixtures on the floor prior to lifting, or damage will occur.
- **Before beginning installation**, review our complete list of warnings by visiting www.saylite.com/warnings.



Your particular build may vary.

2020© Saylite | 2055 Luna Road, Suite 142 Carrollton, Texas 75006 | www.saylite.com

L23H Installation Instructions

Step 1 - Mounting and Suspension

Mounting

Drywall or other hard surfaces - 2X4 Stud Bracing

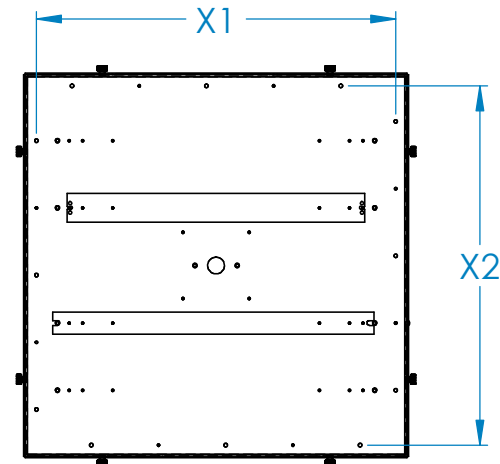
- Install bracing at desired location.
- Ensure bracing is secure.
- Prepare fixture for mounting.

*Other hard surfaces include: wood, sheet metal panels, steel beams, concrete or masonry. Use hardware appropriate for each surface and material type.

Suspension Locations

X = Suspension Dimensions

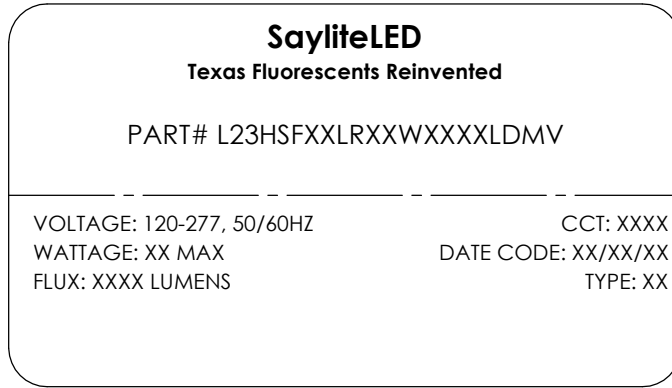
Refer to Assembly Drawings and building plans to determine exact mounting, suspension points, and power feed locations.



L23H Installation Instructions

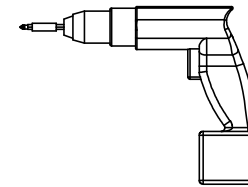
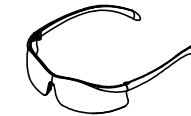
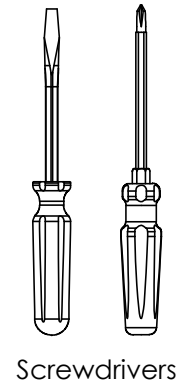
Step 2 - Identification and Preparation

A. Identify Fixtures



- Use labels found on the box and inside the fixture bodies to identify bodies.
- **NOTE:** Locations of labels can vary.
- Remove all fixtures from their boxes.
- Organize fixtures based on their labels at the install location.

B. Tools Needed



- Always use proper safety equipment when installing fixtures.
- Tools shown are recommended for standard install. Tools needed may vary based on actual install location conditions.

Kitted Hardware

- Saylite has provided the items listed here, with their Saylite part numbers listed. These items can be found in separate boxes shipped with the fixture.
- Ensure all parts are accounted for and set them aside until needed.
- Any additional hardware needed for this installation will be provided by others.

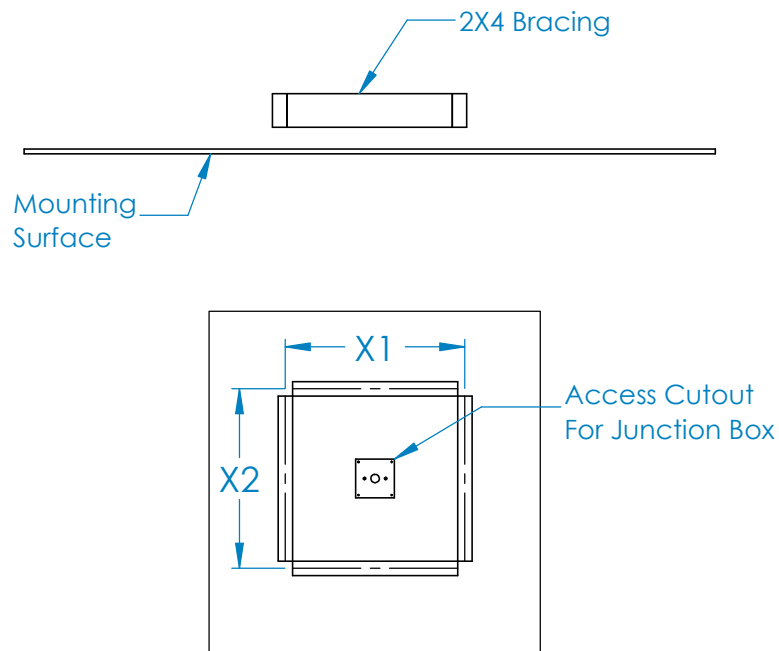
L23H Installation Instructions

Step 3 - Install Bracing



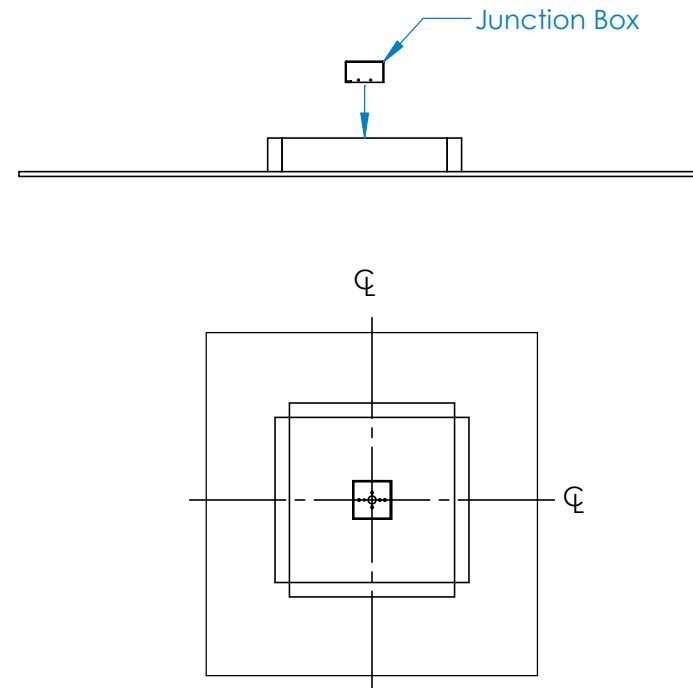
Texas Fluorescents Reinvented

A. Install 2X4 Studs



- Install the 2X4 stud square bracing to the mounting surface.
- Ensure the bracing is spaced so that fixture mounting points are centered on 2X4 studs.
- **NOTE:** Bracing must be able to support full weight of fixture, be sure to fully secure bracing.

B. Install Junction Box



- Install junction box to mounting surface, centered within 2X4 stud bracing.

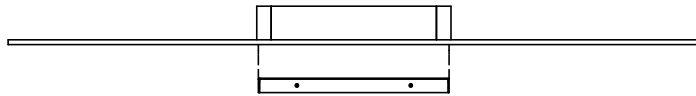
L23H Installation Instructions

Step 4 - Install Mount Plate

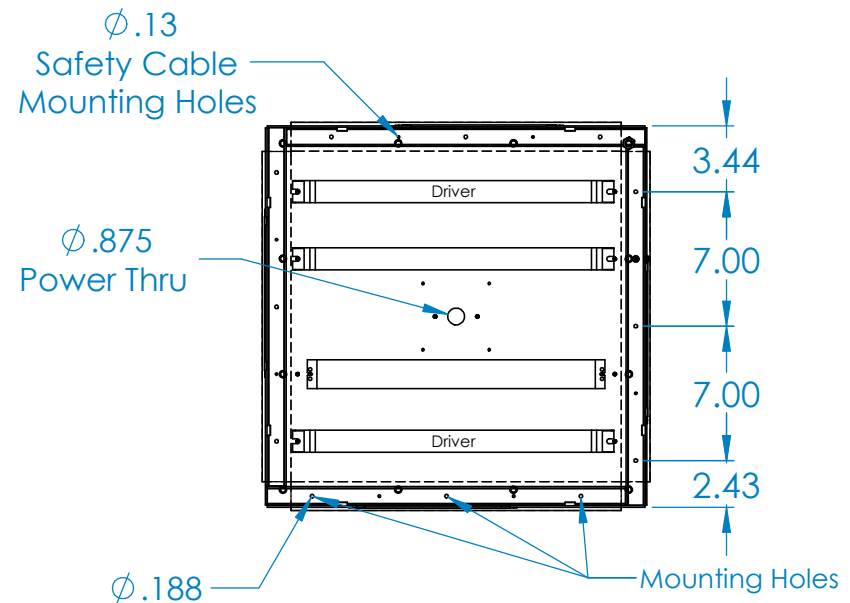


Texas Fluorescents Reinvented

A. Align with Bracing



B. Secure to Bracing



- Before installing the mount plate, ensure it is aligned with the 2X4 stud bracing above the mounting surface.

- Use 3" #8 wood screws (not provided) or equivalent to secure the mount plate to the 2X4 stud bracing.
- Mounting holes are located along the perimeter of the mount plate.
- Ensure that mount plate is fully secured before proceeding to next step.
- Pull the power cable thru the 7/8" hole in the center of the mount plate.

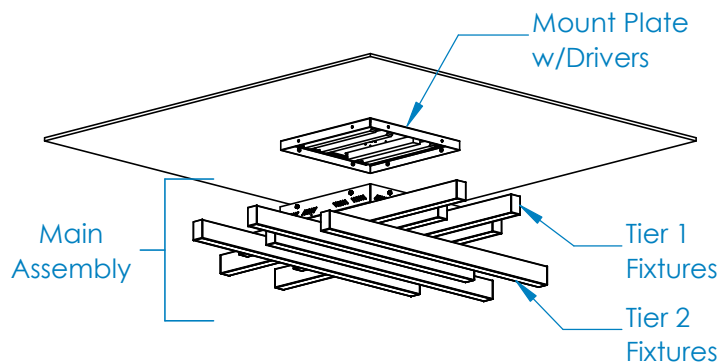
L23H Installation Instructions

Step 5 - Install Fixture



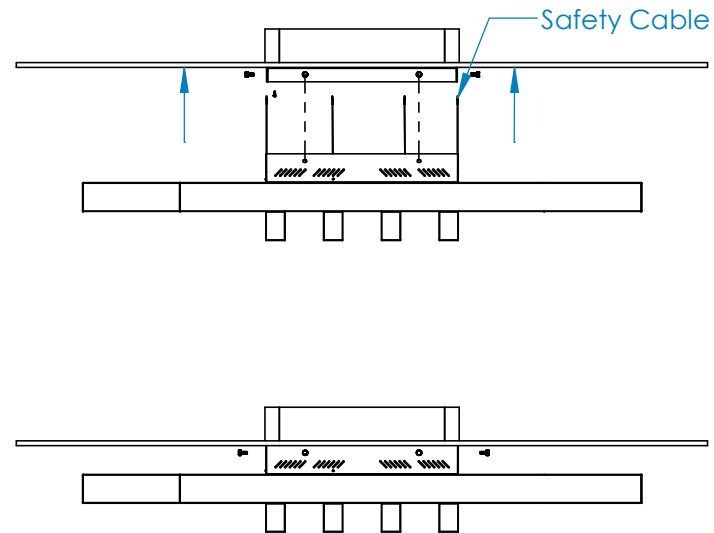
Texas Fluorescents Reinvented

A. Join Fixture Connections



- **NOTE:** This fixture will require two (2) people to install due to the weight of the fixture. **DO NOT** attempt to install alone.
- Join the orange connectors from the main assembly to the mount plate.
- The orange connector for tier 1 fixtures will be labeled T1 and should be joined to the corresponding orange connector on the mount plate. The orange connector for tier 2 fixtures will be labeled T2 and should be joined to the corresponding orange connector on the mount plate.

B. Install to Mount Plate

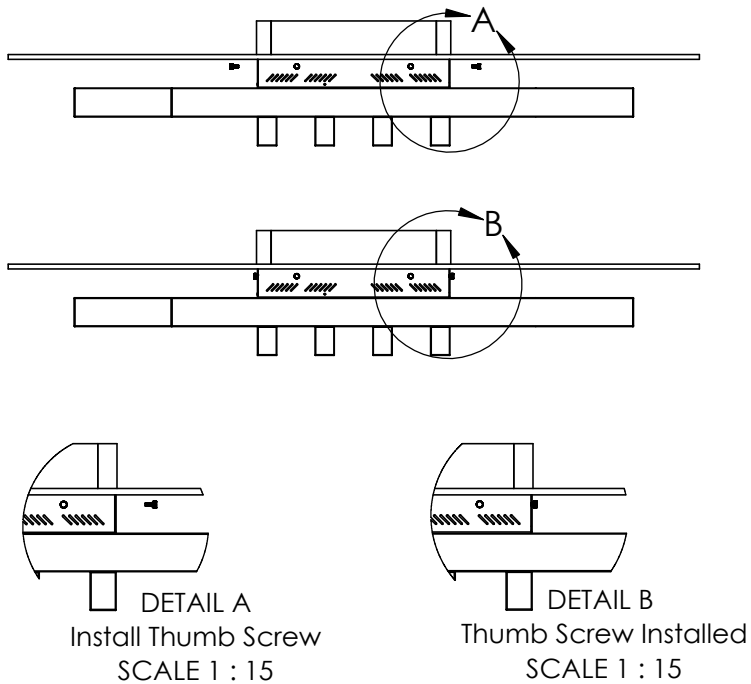


- Once the connections for the fixtures are joined the fixture can be installed. Use #8-32 sheet metal screws to attach safety cables (4x) to attached mounting plate assembly.
- Align the fixture with the mount plate and install to mounting surface, ensuring that holes on the fixture box align with holes on mount plate.

L23H Installation Instructions

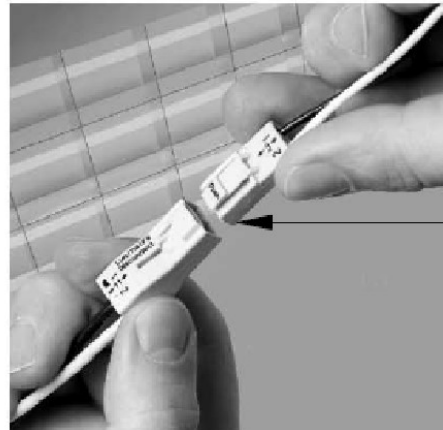
Step 6 - Secure and Wire the Fixture

A. Secure the Fixture



- Once the fixture is installed, use the provided thumb screws to secure the fixture to the mount plate.
- Tighten each thumb screw to secure fixture.

B. Connect Fixture Wiring



WIRING LEGEND		
BLACK	HOT	Line Voltage
WHITE	NEUTRAL	Line Voltage
GREEN	GROUND	
GRAY	DIMMING	0-10V DC
VIOLET	DIMMING	0-10V DC

- Wire each fixture to the incoming power supply using the provided quick disconnect clip as shown.
- For dimming option, refer to wiring legend above.
- Use UL approved connectors only. Follow all local, state and national codes. Repeat for all remaining fixtures.