

L23-Surface Installation Instructions

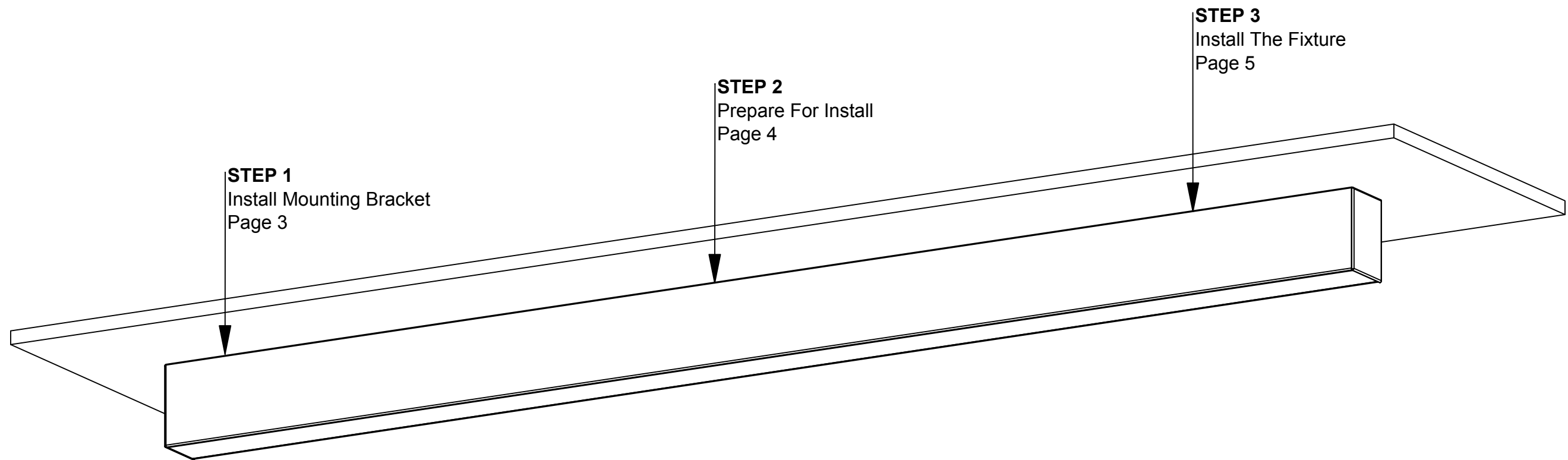
Overview

WARNINGS

- This product must be installed in accordance with all applicable codes by a person familiar with the product.
- Each fixture must be **properly supported** during install.
- **DO NOT** join fixtures on the floor prior to lifting, or damage will occur.
- **Before beginning installation**, review our complete list of warnings by visiting www.saylite.com/warnings.



Texas Fluorescents Reinvented



We believe
in the power
of light.



Your particular build may vary.

2018© Saylite | 2055 Luna Road, Suite 142 Carrollton, Texas 75006 | www.saylite.com

1 of 5

Form BWE - L23-Surface V2 11/18

L23-Surface Installation Instructions

Preparation - Tools/Parts Identification



Texas Fluorescents Reinvented

A. Identify Fixtures



- Use labels found on the box and inside fixture bodies to identify bodies.
- **NOTE:** Locations of labels can vary.
- Remove all fixtures from their boxes.
- Organize fixtures based on their labels at the install location.

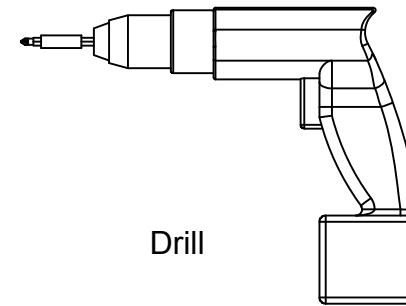
B. Tools Needed



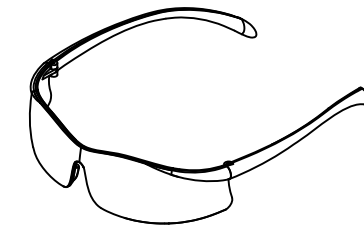
Screwdriver



3/4" Drill Bit



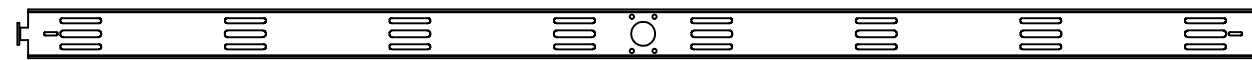
Drill



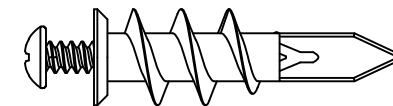
Safety Glasses

- Always use proper safety equipment when installing fixtures.
- Tools shown are recommended for standard install. Tools needed may vary based on actual install location conditions.

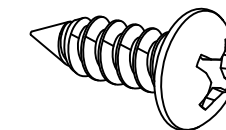
C. Identify Parts



Surface Mount Bracket
PN: L23_SM_BRKT_A_XXIN
(Provided)



Mounting Screw W/ Anchor
(By Others)



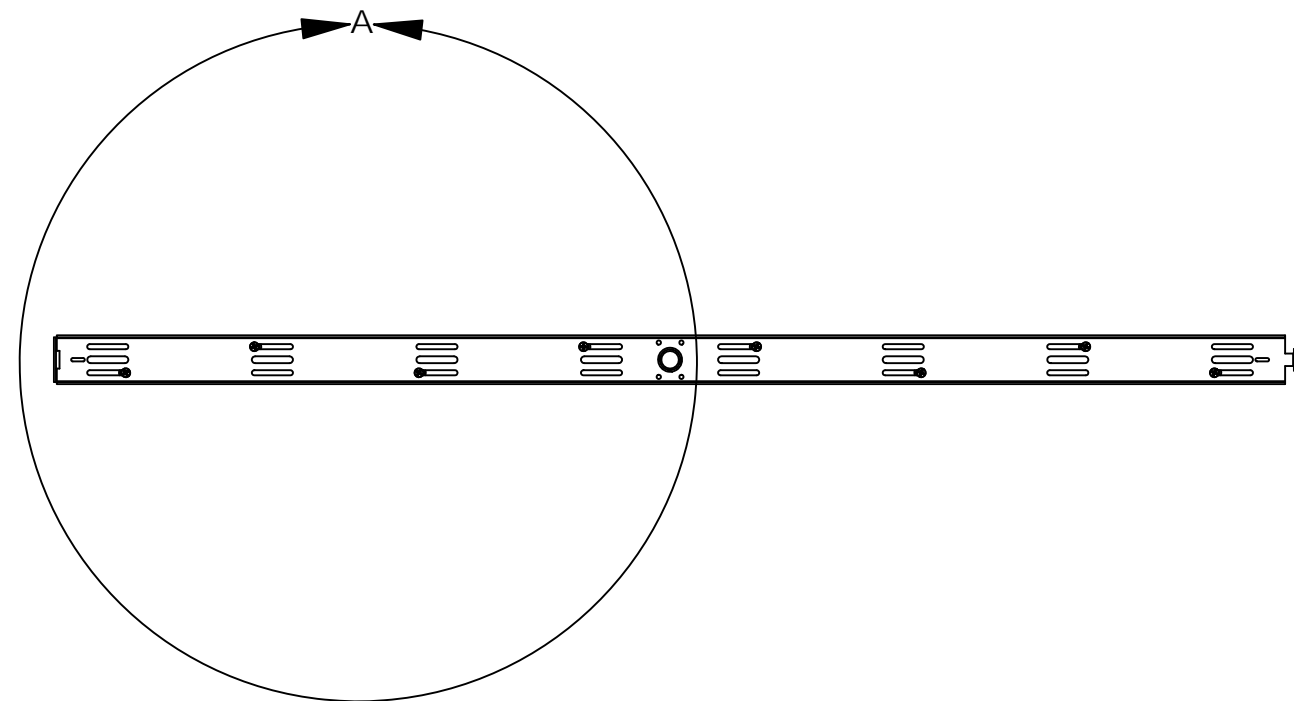
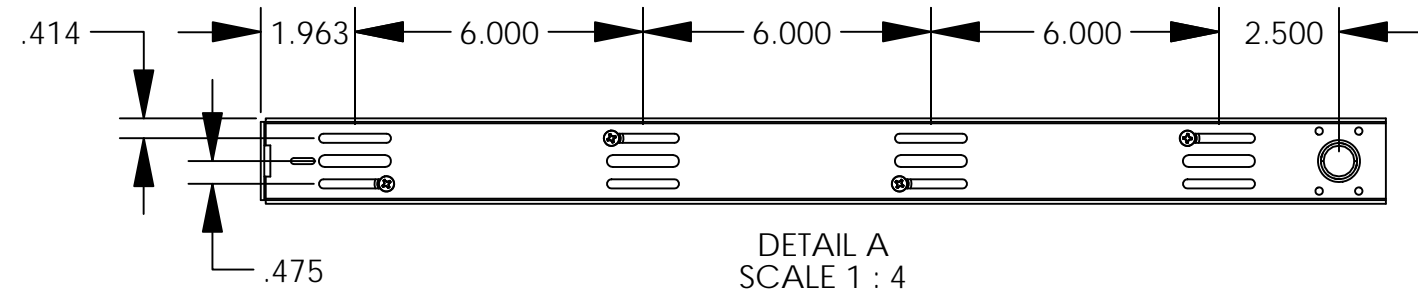
#8-32 X 1/2" Machine Screw
(Provided)

- Read entire install instructions before beginning installation.
- Unpack all components and arrange in order of install steps.
- For help with installation, please contact us at www.saylite.com or call us at (972) 247-3171.

L23-Surface Installation Instructions

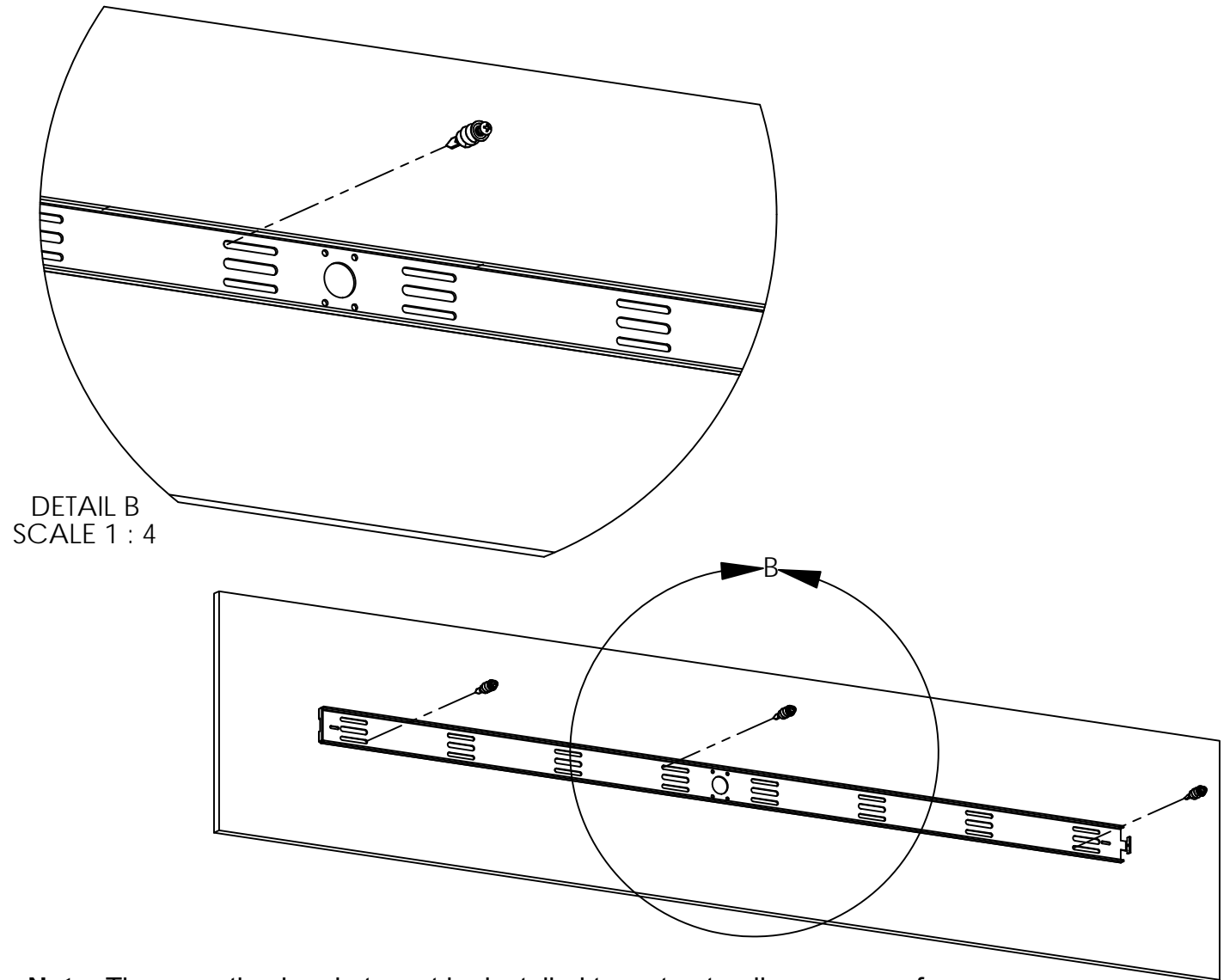
Step 1 - Install Mounting Bracket

A. Transfer Measurements



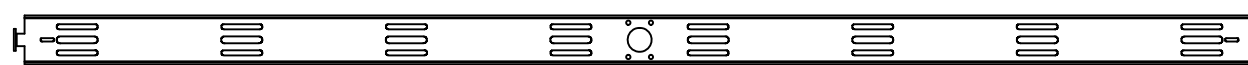
- Transfer the dimensions of the mounting keyways above to the mounting surface.
- **Note:** The dimensions are mirrored on both sides of the mounting bracket.

B. Install Mounting Bracket

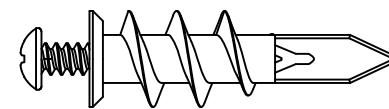


- **Note:** The mounting bracket must be installed to a structurally secure surface.
- **Note:** Additional bracing may be needed before mounting bracket.
- **Note:** Confirm no obstructions behind the wall before mounting.
- Secure the mounting bracket to the mounting surface as shown using anchored hardware.

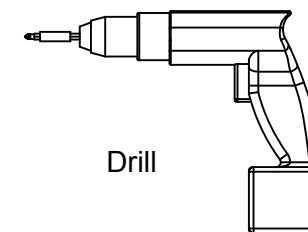
Items Used In This Step



Surface Mount Bracket
PN: L23_SM_BRKT_A_XXIN
(Provided)



Mounting Screw W/ Anchor
(By Others)



Drill

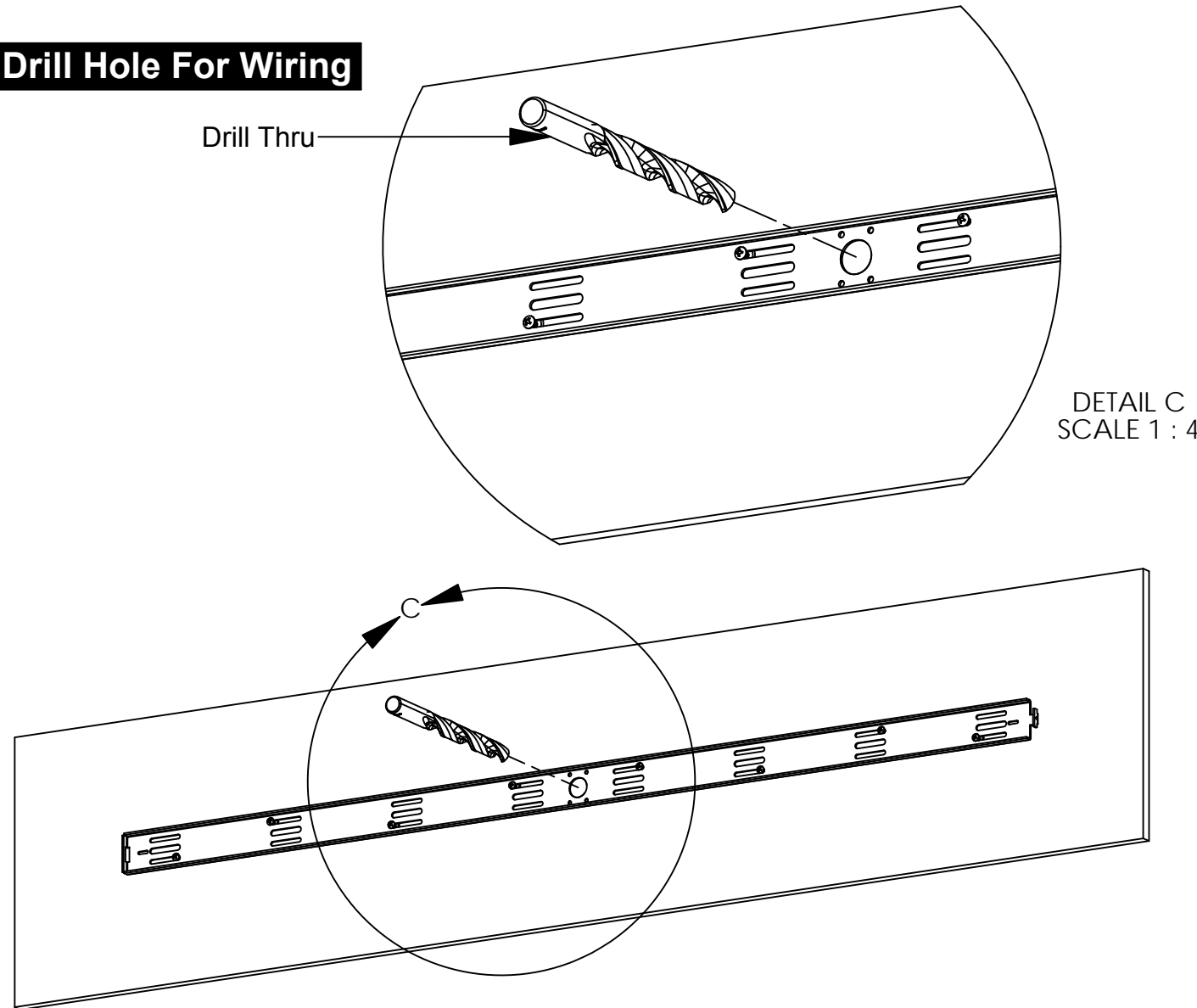
L23-Surface Installation Instructions

Step 2 - Prepare For Install



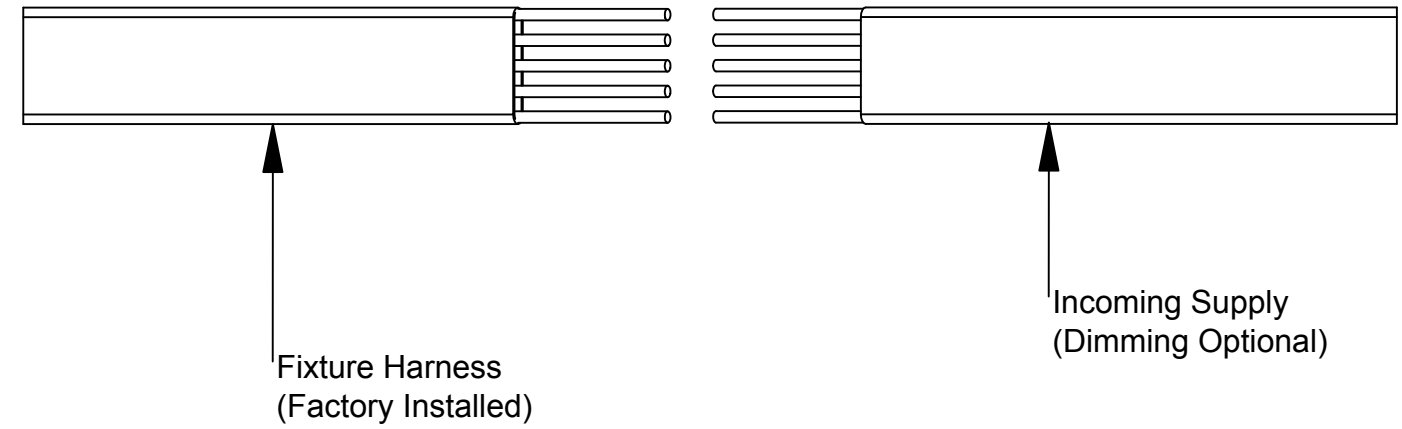
Texas Fluorescents Reinvented

A. Drill Hole For Wiring



- Using a 3/4" bit, drill a hole to allow supply wiring to pass thru.
- **Note:** Use caution when drilling as to not damage components inside of wall.

B. Wire The Fixture



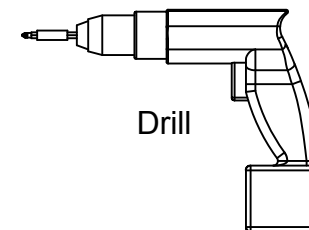
WIRING LEGEND		
Black	Hot	Line Voltage
White	Neutral	Line Voltage
Green	Ground	
Gray	Dimming	0-10V DC
Violet	Dimming	0-10V DC

- Wire the fixture to the incoming supply. Refer to the wiring legend above as needed.
- **Note:** Use UL approved connectors only. Follow all local, state and national codes

Items Used In This Step



3/4" Drill Bit



Drill

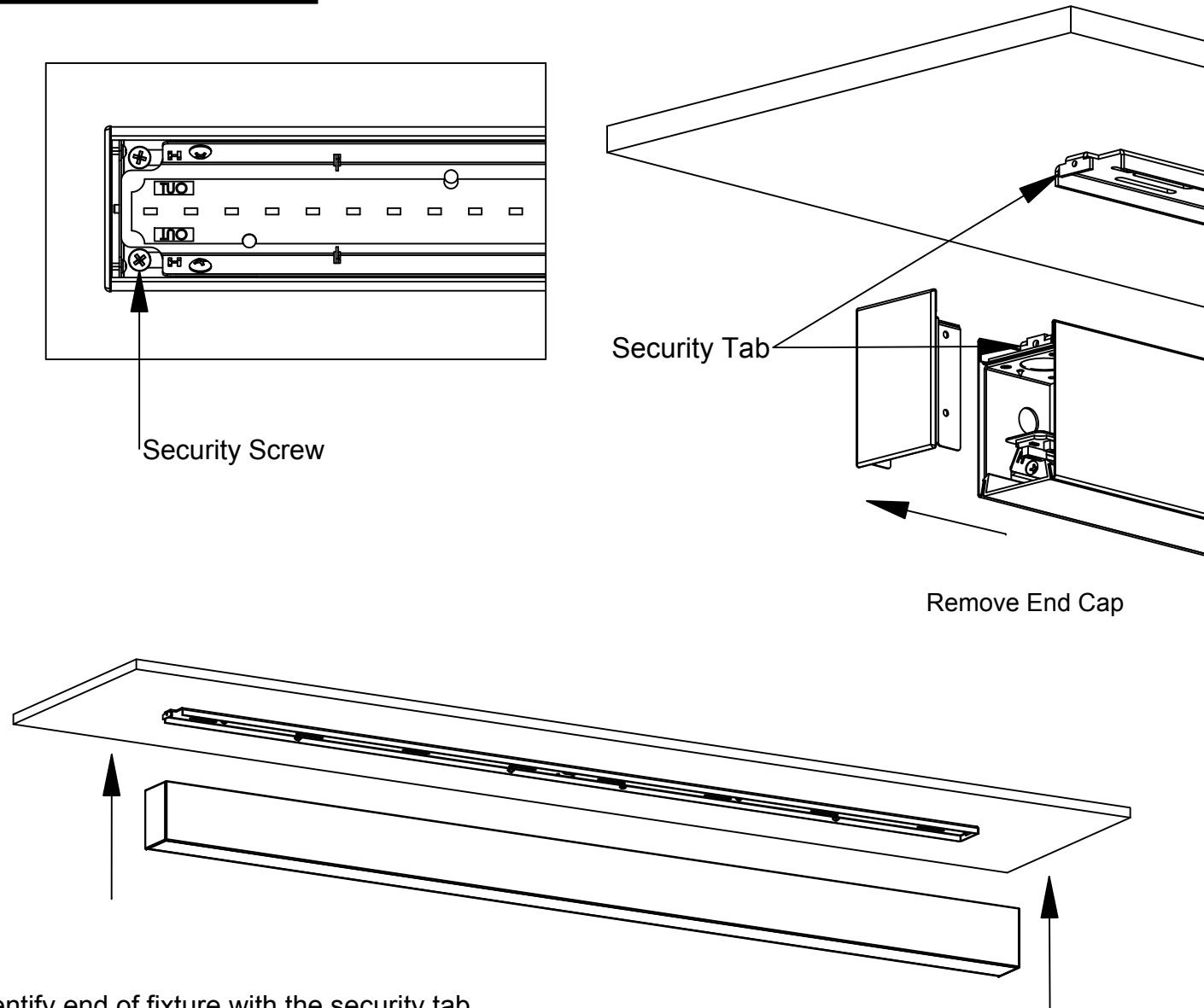
L23-Surface Installation Instructions

Step 3 - Install The Fixture



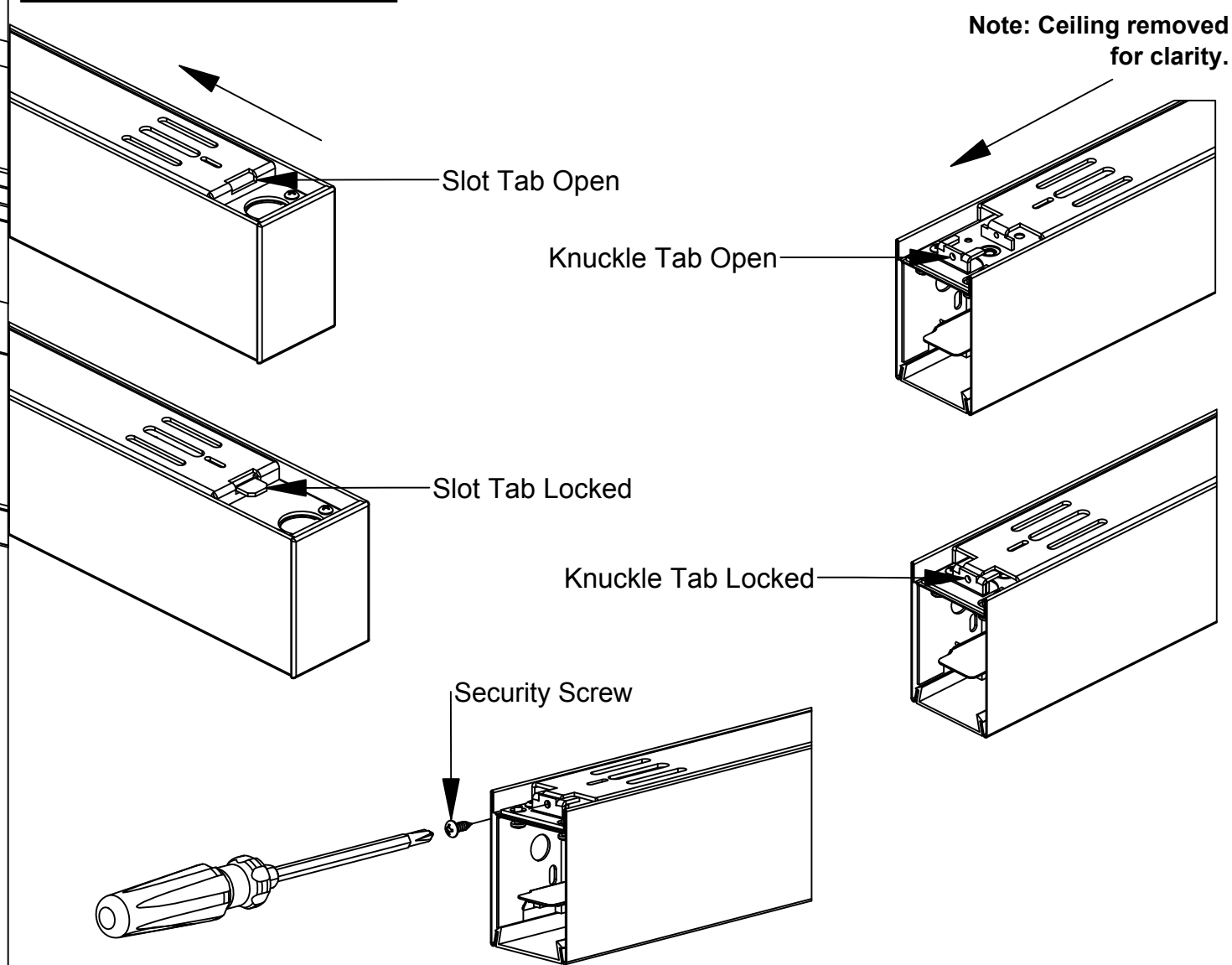
Texas Fluorescents Reinvented

A. Mount The Fixture



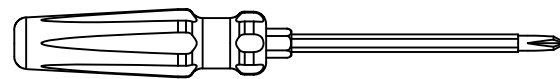
- Identify end of fixture with the security tab.
- Remove the end cap from this end by removing the end cap screws as shown.
- Lift the fixture up to the mounting surface, with security tabs on same end. Shift fixture to the side so that the slot end of the fixture slips over the slot end of the mounting bracket.

B. Secure The Fixture

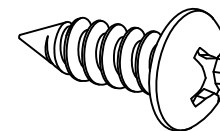


- Press the fixture firmly to the ceiling, and shift to the side so that the slot enters the slot tab.
- The knuckle tab on the mounting bracket will fit in to the knuckle tab on the fixture.
- Install a #8-32 x 1/2" security screw as shown. Re-install the end cap. Install is now complete.

Items Used In This Step



Screwdriver



#8-32 X 1/2" Machine Screw
(Provided)