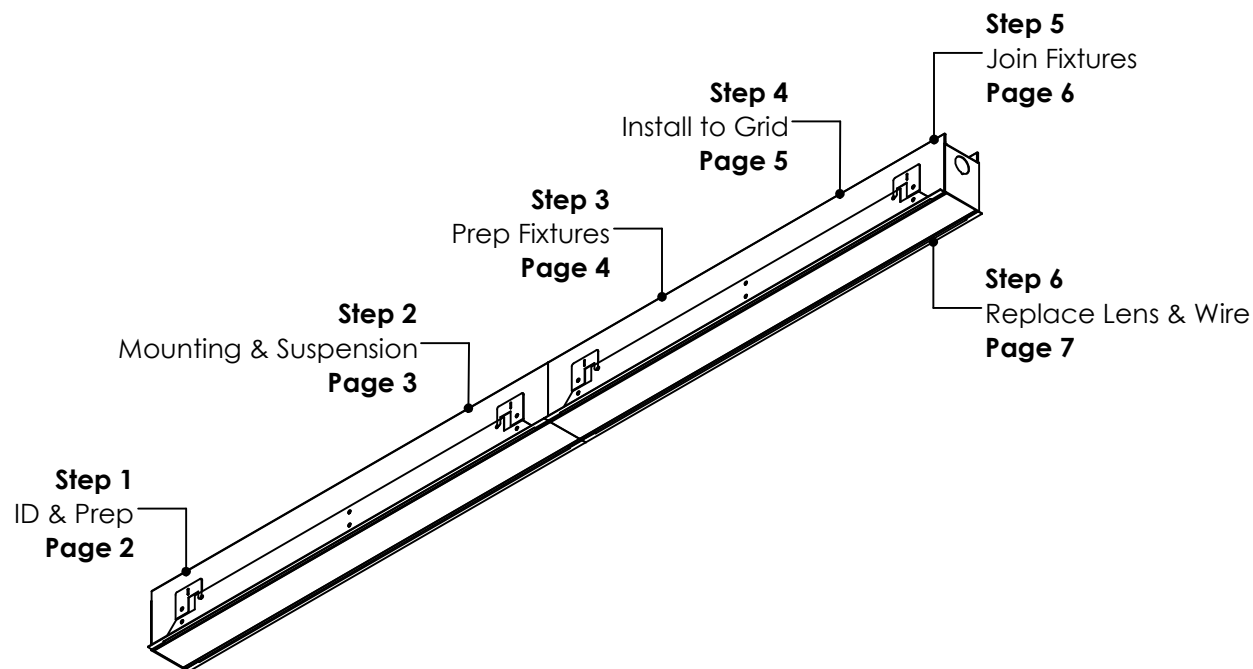


L23-Grid Mount-Continuous Run Installation Instructions

Overview

WARNINGS

- This product must be installed in accordance with all applicable codes by a person familiar with the product.
- Each fixture must be **properly supported** during install.
- **DO NOT** join fixtures on the floor prior to lifting, or damage will occur.
- **Before beginning installation**, review our complete list of warnings by visiting www.saylite.com/warnings.



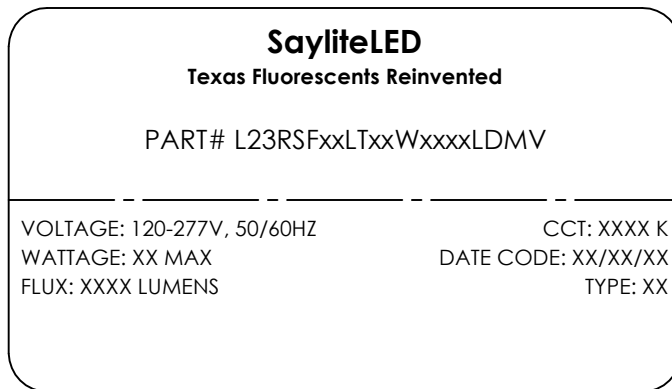
Your particular build may vary.

2022© Saylite | 2055 Luna Road, Suite 142 Carrollton, Texas 75006 | www.saylite.com

L23-Grid Mount-Continuous Run Installation Instructions

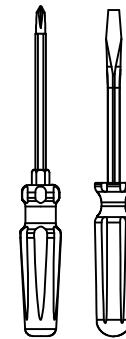
Step 1 - Identification & Preparation

A. Identify Fixtures

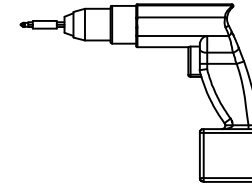


- Use labels found on the box and inside the fixture bodies to identify bodies.
- **NOTE:** Locations of labels can vary.
- Remove all fixtures from their boxes.
- Organize fixtures based on their labels at the install location.

B. Tools Needed



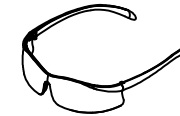
Screwdrivers



Drill



Utility Knife



Safety Glasses

- Always use proper safety equipment when installing fixtures.
- Tools shown are recommended for standard install. Tools needed may vary based on actual install location conditions.

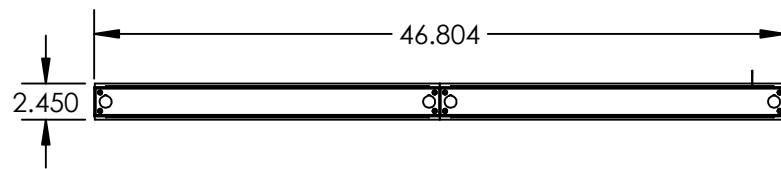
Kitted Hardware

- Saylite has provided the items listed here, with their Saylite part numbers listed. These items can be found in separate boxes shipped with the fixture.
- Ensure all parts are accounted for and set them aside until needed.
- Any additional hardware needed for this installation will be provided by others.

L23-Grid Mount-Continuous Run Installation Instructions

Step 2 - Mounting and Suspension

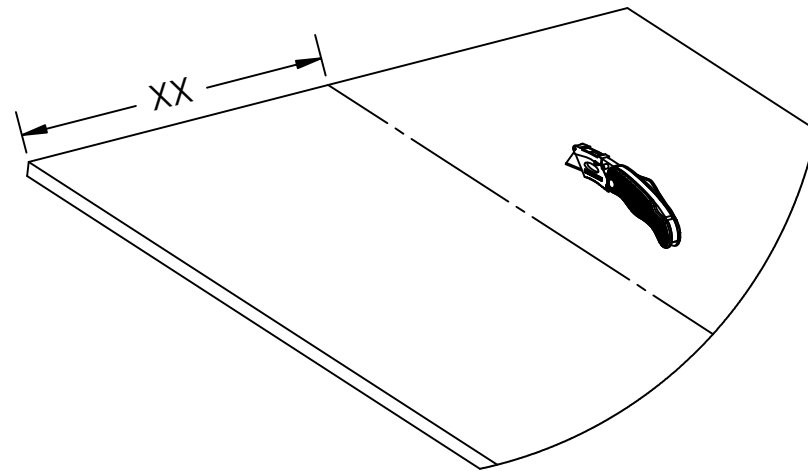
A. Transfer Fixture Measurements



Note: Fixture shown is 4 ft total in length. Your assembly may be different. Consult provided assembly drawings for exact dimensions.

- Note the length and width of the fixture.
- Transfer the dimensions to the hanging grid and set the grid rails to the proper width.

B. Cut Grid to Fit (Optional)



- Cut grid tiles to fit fixtures, adjust grid rails as needed to fit fixtures.

***NOTE:** Length and width dimensions will vary according to specific fixture model being installed. Measure each fixture to be installed to ensure the grid spacing is correct.

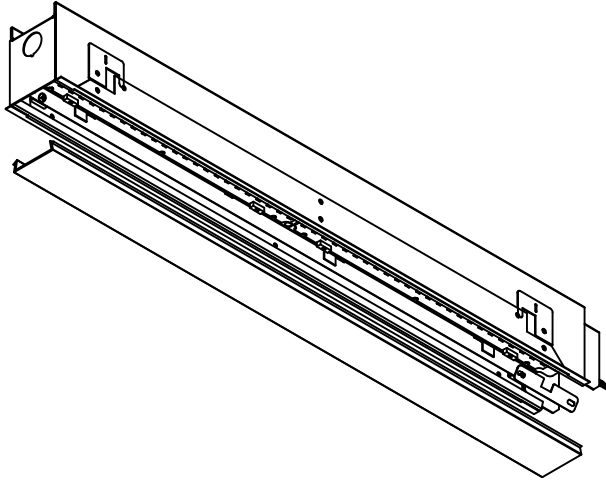
L23-Grid Mount-Continuous Run Installation Instructions

Step 3 - Prepare Fixtures for Mounting



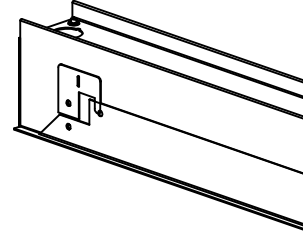
Texas Fluorescents Reinvented

A. Remove Lens

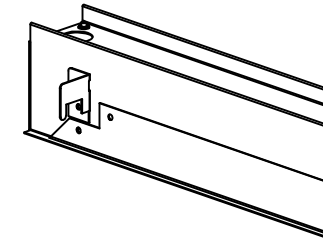


- Uninstall the lens from each fixture in the run.
- Use a flat head screwdriver to gently pry the lens out of the fixtures.
- Set lenses aside in a safe location for later use.

B. Fold Out Hurricane Clips



CLIPS CLOSED



CLIPS OPEN

- Use a flat head screwdriver to gently pry up on the hurricane clips to open them.
- Each fixture **must** have all hurricane clips opened up before installing to grid.

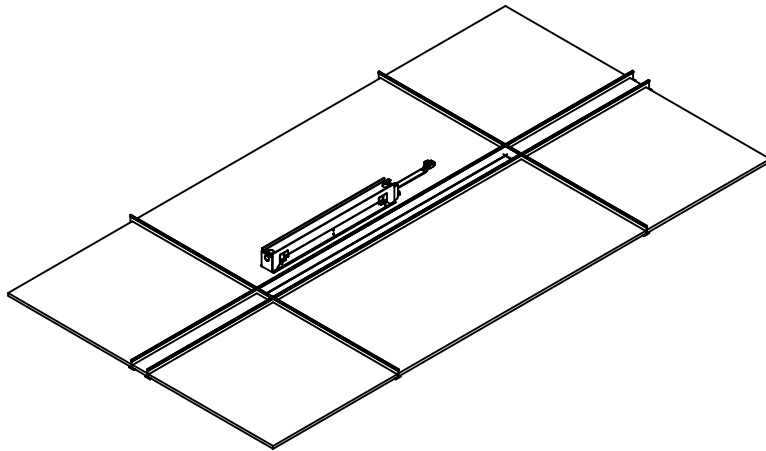
L23-Grid Mount-Continuous Run Installation Instructions

Step 4 - Install Fixtures to the Grid



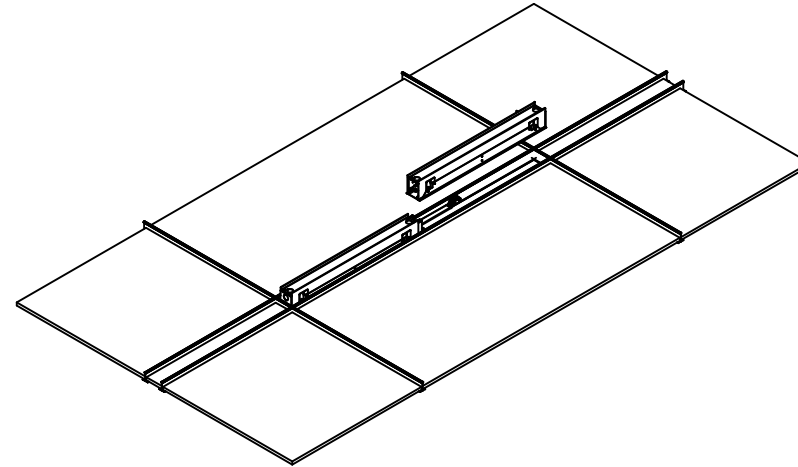
Texas Fluorescents Reinvented

A. Lay Beginner Into Grid



- Lay the beginner fixture into the grid and slide it back against the grid as far as possible.
- Ensure all fixture hurricane clips are resting over the spines of the grid.

B. Lay Joining Fixture(s) Into Grid



- Lay the joining fixture(s) into the grid and slide it back against the previous fixture and onto the joiner bracket. Fixtures will be secured to one another in the next step.
- Ensure all fixture hurricane clips are resting over the spines of the grid.

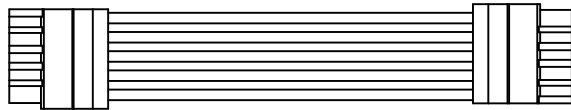
L23-Grid Mount-Continuous Run Installation Instructions

Step 5 - Secure Fixtures and Wire



Texas Fluorescents Reinvented

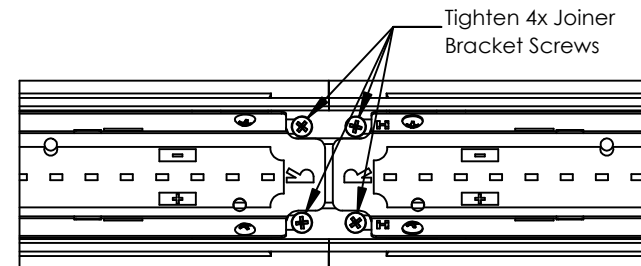
A. Connect Wire Harness



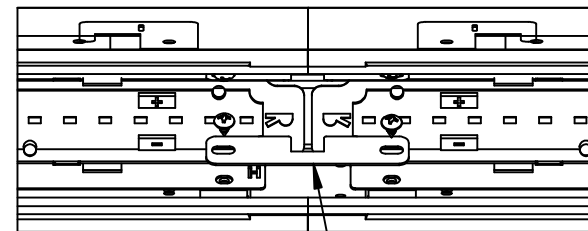
WIRING LEGEND		
BLACK	HOT	Line Voltage
WHITE	NEUTRAL	Line Voltage
GREEN	GROUND	
GRAY	DIMMING	0-10V DC
VIOLET	DIMMING	0-10V DC

- Connect wire harness between fixtures. Push the connectors into female receiver of fixture until a click is heard.
- If wire harness is unavailable refer to wiring diagram shown above.

B. Secure Joiner Bracket & Driver Brackets



GRID CEILING HIDDEN FOR CLARITY

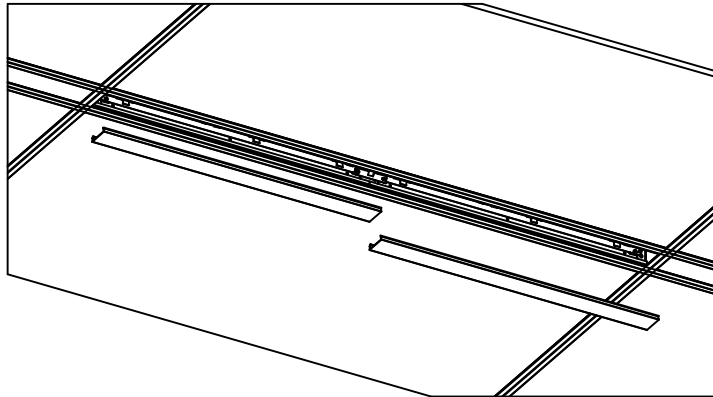


- After connecting fixture wiring, tighten 4x screws at each fixture joint using a Philip's screwdriver.
- Install the driver brackets at each joint to further secure fixtures. Align the driver bracket between fixtures and install 2x provided screws to secure the bracket. Tighten screws using a Philip's screwdriver.

L23-Grid Mount-Continuous Run Installation Instructions

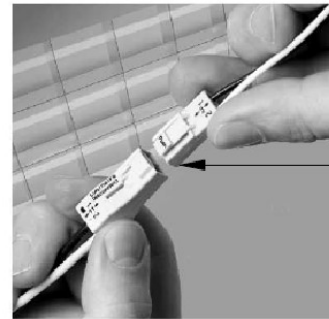
Step 6 - Replace Lenses & Connect Power

A. Replace Fixture Lenses



- Replace the lens for each fixture, gently push the lens into the fixture until it snaps into place.

B. Connect Power Feed Supply



WIRING LEGEND		
BLACK	HOT	Line Voltage
WHITE	NEUTRAL	Line Voltage
GREEN	GROUND	
GRAY	DIMMING	0-10V DC
VIOLET	DIMMING	0-10V DC

- Wire each fixture to the incoming power supply using the provided quick disconnect clip as shown.
- For dimming option, refer to wiring legend above.
- Use UL approved connectors only. Follow all local, state and national codes.