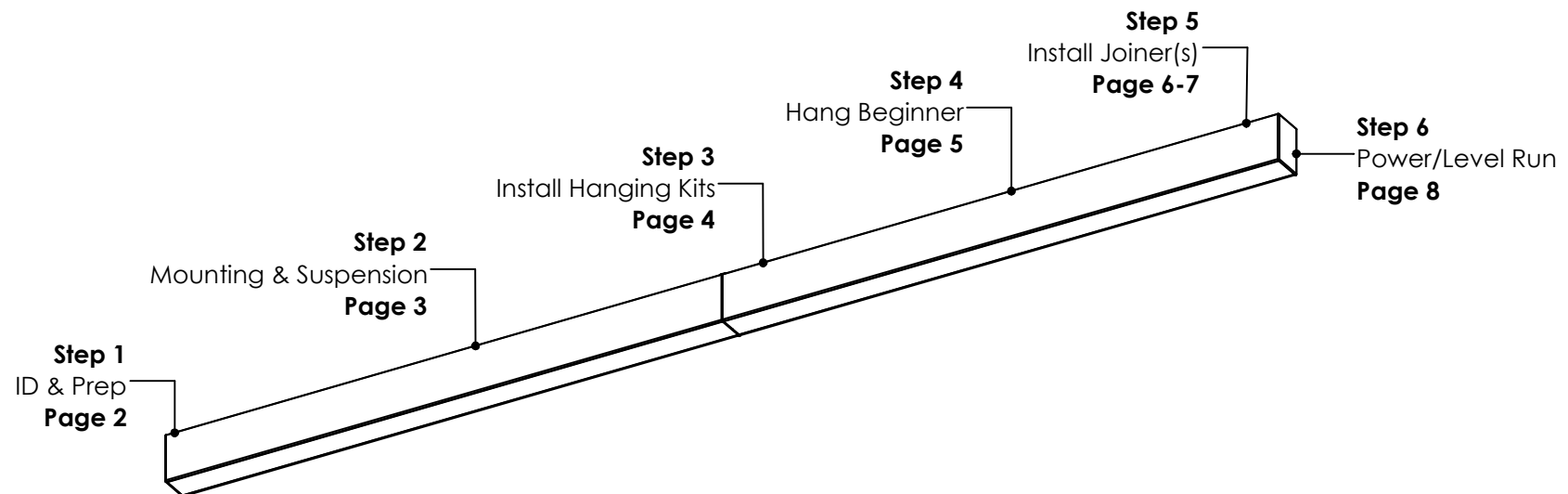


L23-Pendant Mount-Continuous Run Installation Instructions

Overview

WARNINGS

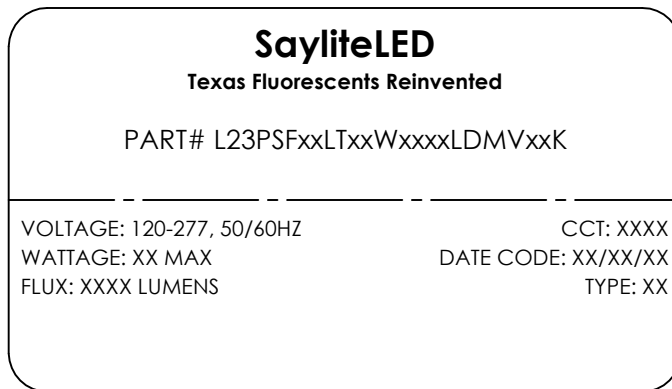
- This product must be installed in accordance with all applicable codes by a person familiar with the product.
- Each fixture must be **properly supported** during install.
- **DO NOT** join fixtures on the floor prior to lifting, or damage will occur.
- **Before beginning installation**, review our complete list of warnings by visiting www.saylite.com/warnings.



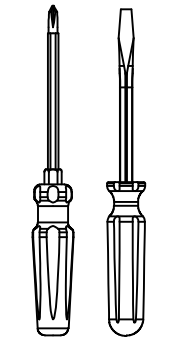
L23-Pendant Mount-Continuous Run Installation Instructions

Step 1 - Identification and Preparation

A. Identify Fixtures



B. Tools Needed



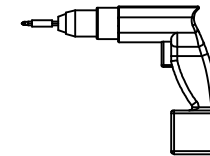
Screwdrivers



Pliers



Safety Glasses



Drill

- Use labels found on the box and inside the fixture bodies to identify bodies.
- **NOTE:** Locations of labels can vary.
- Remove all fixtures from their boxes.
- Organize fixtures based on their labels at the install location.

- Always use proper safety equipment when installing fixtures.
- Tools shown are recommended for standard install. Tools needed may vary based on actual install location conditions.

Kitted Hardware

- Saylite has provided the items listed here, with their Saylite part numbers listed. These items can be found in separate boxes shipped with the fixture.
- Ensure all parts are accounted for and set them aside until needed.
- Any additional hardware needed for this installation will be provided by others.

L23-Pendant Mount-Continuous Run Installation Instructions

Step 2 - Mounting & Suspension

Mounting

Drywall or other hard surfaces - HC 605/612 Hanging Kit*

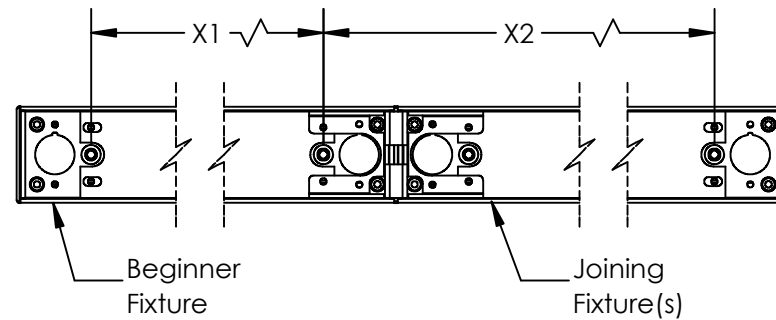
- Install hanging kits at suspension locations.
- Ensure hanging kits are secure.
- Prepare fixture for mounting.

Other hard surfaces include: wood, sheet metal panels, steel beams, concrete or masonry. Use hardware appropriate for each surface and material type.

Suspension Locations

X = Suspension Dimensions

Refer to Assembly Drawings and building plans to determine exact mounting, suspension points, and power feed locations.



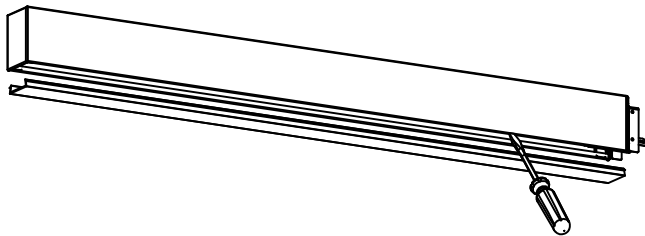
L23-Pendant Mount-Continuous Run Installation Instructions

Step 3 - Remove Lens & Install Hanging Kits



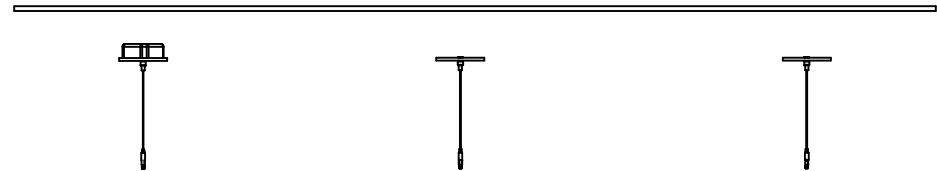
Texas Fluorescents Reinvented

A. Remove Lens from Fixtures



- Use a flat head screwdriver to gently pry out the lens of each fixture.
- Insert the tip of the screwdriver between the edge of the fixture and then pry to release the lens.
- Set all lenses aside in a safe location for later use.

B. Install Hanging Kits



- Install the hanging kits to the mounting surface at desired mounting locations.
- Refer to assembly drawings and hanging kit installation guide for more information.

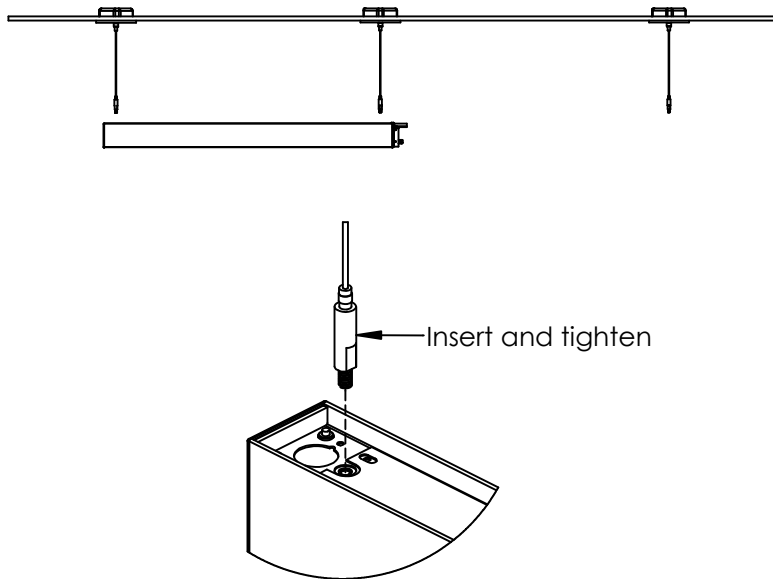
L23-Pendant Mount-Continuous Run Installation Instructions

Step 4 - Hang the Beginner Fixture



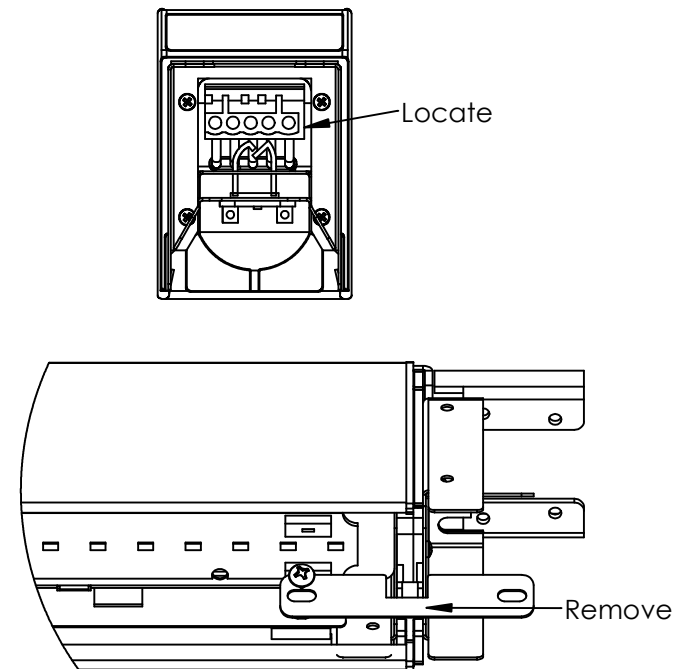
Texas Fluorescents Reinvented

A. Secure to Hanging Cables



- Hang the beginner fixture from the installed cables.
- Remove excess hardware from the end of the cable gripper, then screw the cable gripper into the top of the fixture as shown above.
- Tighten cable gripper 1/4 turn to fully secure the fixture.

B. Prepare for Joining Fixtures



- Locate the internal male wire harness connector inside the beginner fixture.
- Install provided wire harness to male connector until a click is heard.
- Next remove the driver bracket shown above by uninstalling the screw that secures the bracket. Set aside for later use.

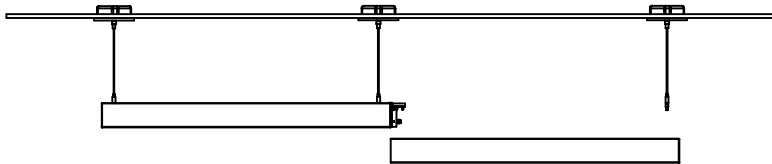
L23-Pendant Mount-Continuous Run Installation Instructions

Step 5 - Install the Joining Fixture(s)



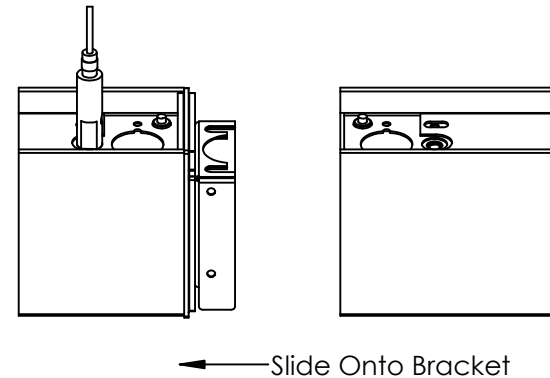
Texas Fluorescents Reinvented

A. Hang Opposite End



- Hang the end of the joining fixture that is opposite the fixture joint.
- Remove excess hardware from the end of the cable gripper, then screw the cable gripper into the top of the fixture as shown above.
- Tighten cable gripper 1/4 turn to fully secure the fixture.

B. Slide Joint End onto CR Bracket



- Slide the free end of the joining fixture onto the continuous run bracket extending from the previously installed fixture.
- Ensure that fixture ends are flush with one another before proceeding to the next step.

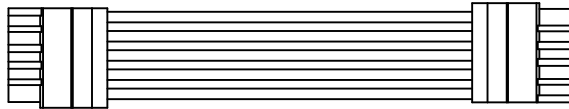
L23-Pendant Mount-Continuous Run Installation Instructions

Step 5 - Install Joining Fixture(s) [Cont'd]



Texas Fluorescents Reinvented

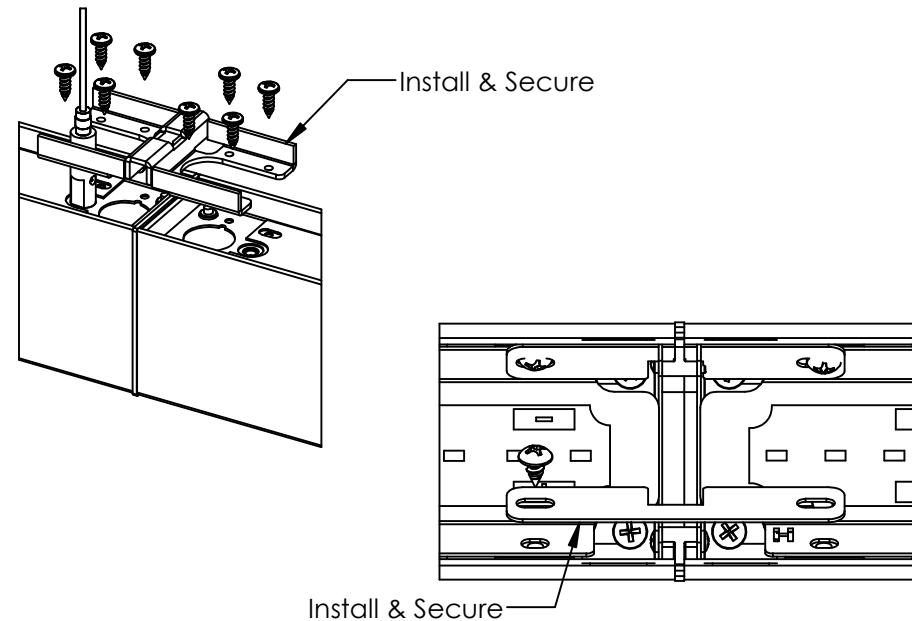
A. Install Wiring Harness



WIRING LEGEND		
BLACK	HOT	Line Voltage
WHITE	NEUTRAL	Line Voltage
GREEN	GROUND	
GRAY	DIMMING	0-10V DC
VIOLET	DIMMING	0-10V DC

- Connect wire harness between fixtures. Push the connectors into female receiver of fixture until a click is heard.
- If wire harness is unavailable refer to wiring diagram shown above.

B. Secure Fixtures at Joint

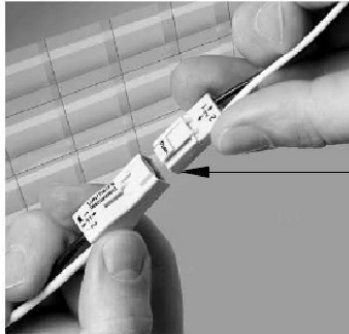


- Install the continuous run bracket to the top of the fixture joint.
- Use provided #8 screws to secure the continuous run bracket to both fixtures. Tighten screws 1/4 turn each to fully secure bracket.
- Reinstall the removed driver brackets to the joined fixtures. Align slot on each end with the screw holes on the driver tray of each fixture. Install and tighten screws to fully secure fixtures.
- Repeat Step 5 as needed to complete run of fixtures.

L23-Pendant Mount-Continuous Run Installation Instructions

Step 6 - Power & Level Assembly

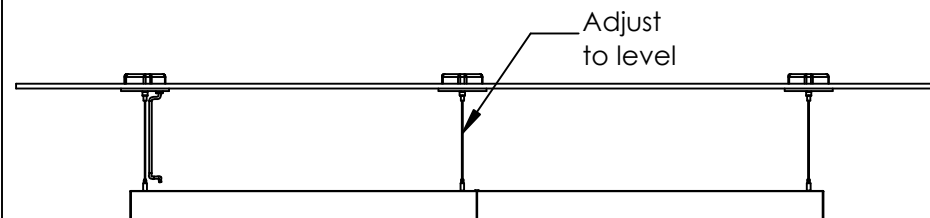
A. Connect to Power Feed Supply



WIRING LEGEND		
BLACK	HOT	Line Voltage
WHITE	NEUTRAL	Line Voltage
GREEN	GROUND	
GRAY	DIMMING	0-10V DC
VIOLET	DIMMING	0-10V DC

- Wire each fixture to the incoming power supply using the provided quick disconnect clip as shown.
- For dimming option, refer to wiring legend above.
- Use UL approved connectors only. Follow all local, state and national codes.

B. Level the Assembly



- Adjust cables as needed to level the run of fixtures.
- Installation is now complete.