

L23-Flange Mounting Installation Instructions

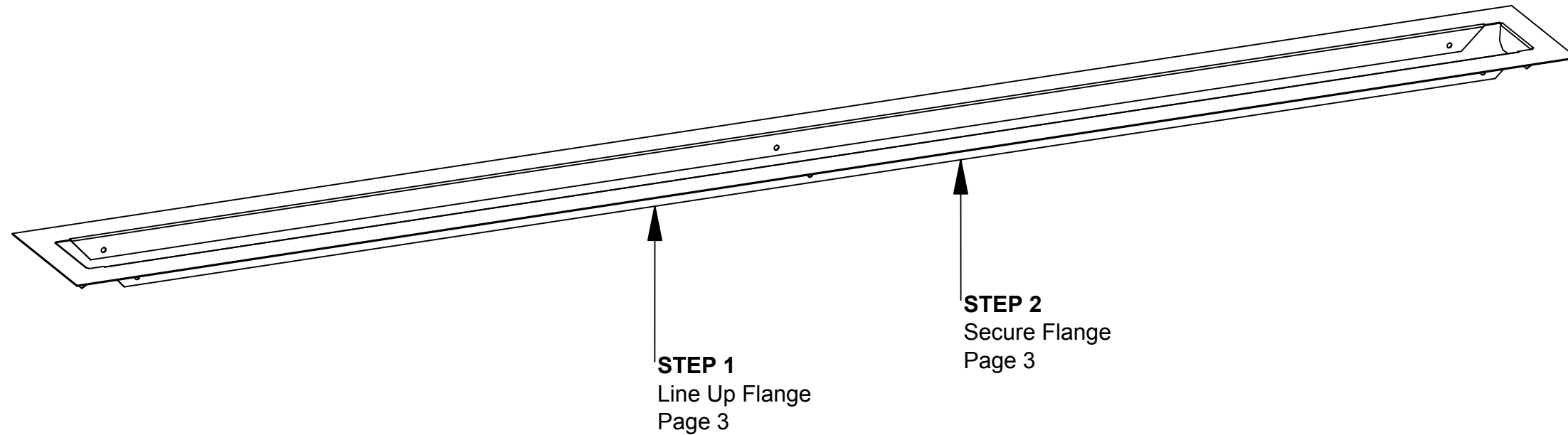
Overview

WARNINGS

- This product must be installed in accordance with all applicable codes by a person familiar with the product.
- Each fixture must be **properly supported** during install.
- **DO NOT** join fixtures on the floor prior to lifting, or damage will occur.
- **Before beginning installation**, review our complete list of warnings by visiting www.saylite.com/warnings.



Texas Fluorescents Reinvented



We believe
in the power
of light.



Your particular build may vary.

2018© Saylite | 2055 Luna Road, Suite 142 Carrollton, Texas 75006 | www.saylite.com

1 of 3

Form BWE - L23-Flange Mounting V2 1/1/18

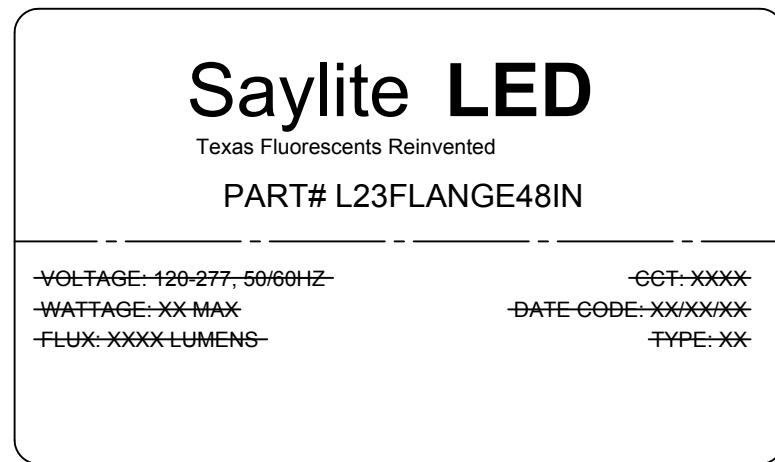
L23-Flange Mounting Installation Instructions

Preparation - Tools/Parts Identification



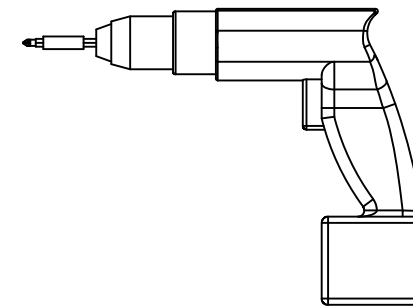
Texas Fluorescents Reinvented

A. Identify Fixtures

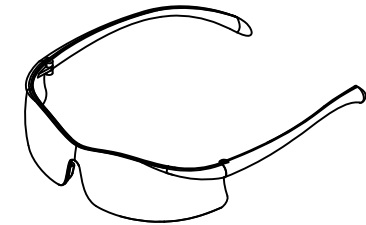


- Use labels found on the box and inside fixture bodies to identify bodies.
- **NOTE:** Locations of labels can vary.
- Remove all fixtures from their boxes.
- Organize fixtures based on their labels at the install location.

B. Tools Needed



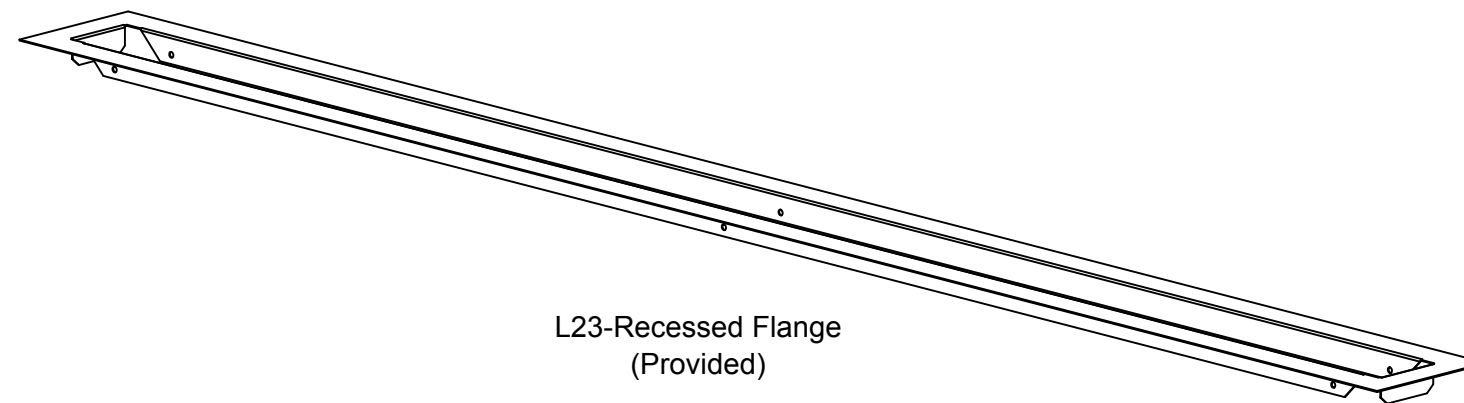
Drill



Safety Glasses

- Always use proper safety equipment when installing fixtures.
- Tools shown are recommended for standard install. Tools needed may vary based on actual install location conditions.

C. Identify Parts



L23-Recessed Flange
(Provided)

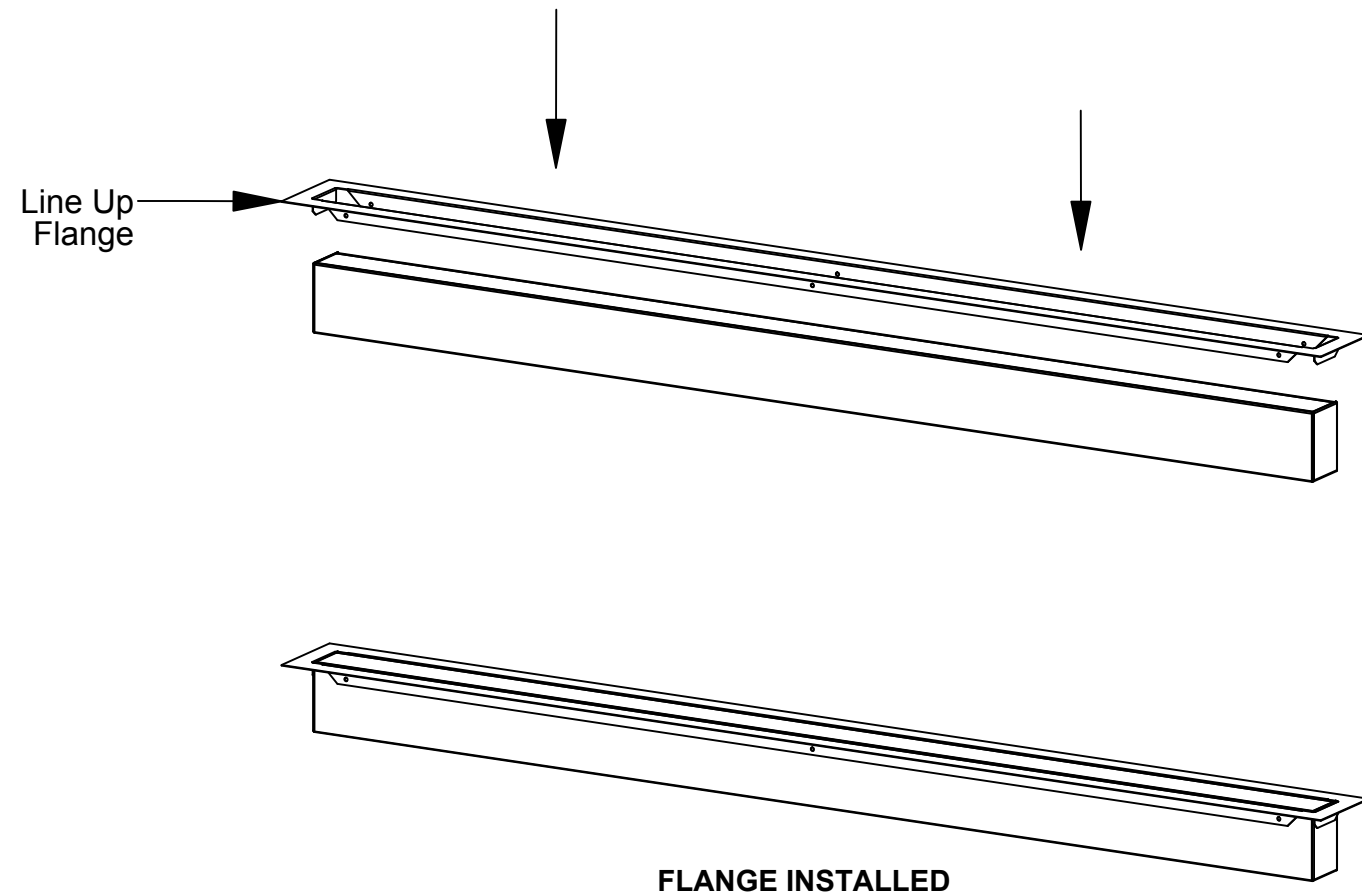
- Read entire install instructions before beginning installation.
- Unpack all components and arrange in order of install steps.
- For help with installation, please contact us at www.saylite.com or call us at (972) 247-3171.

L23-Flange Mounting Installation Instructions



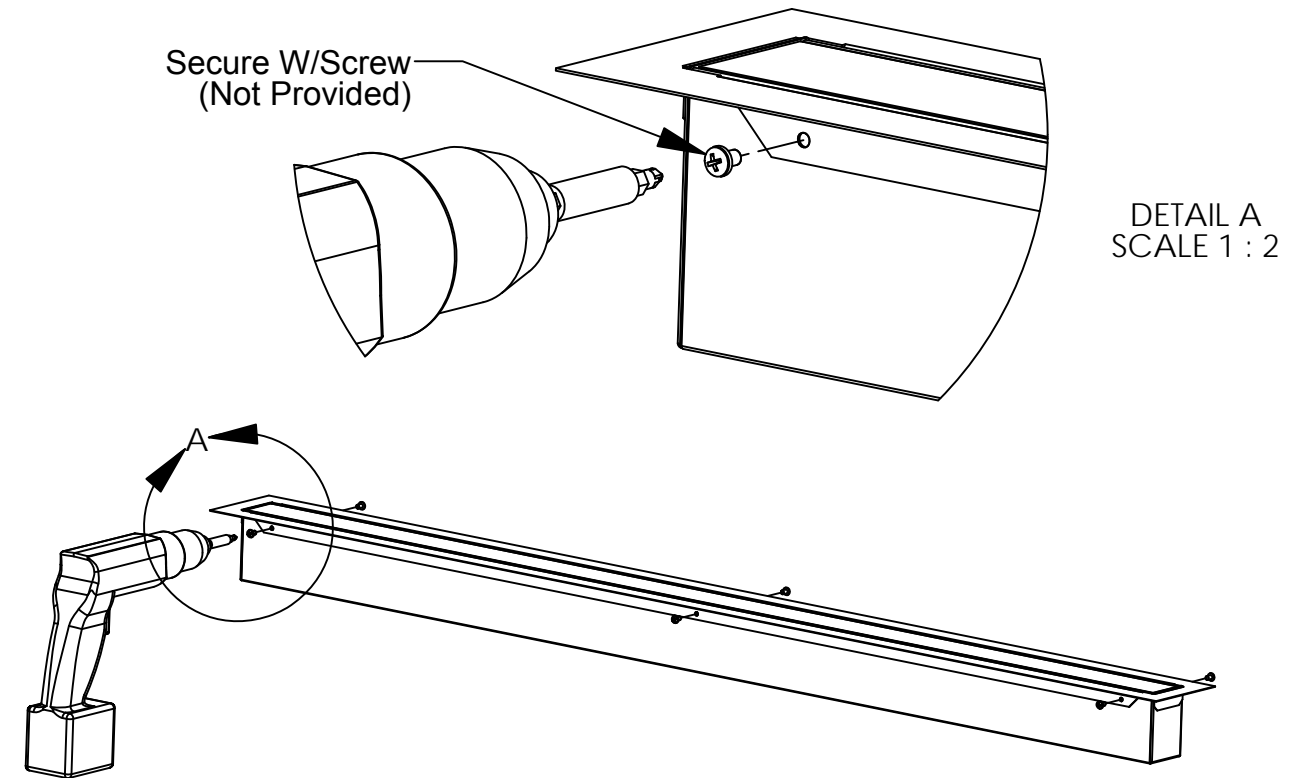
Texas Fluorescents Reinvented

1. Line Up Flange



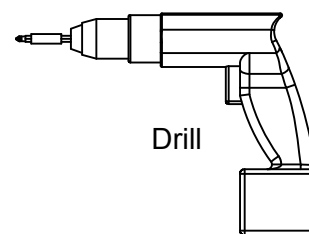
- Center the flange over the fixture as shown, leaving desired amount of lens visible past the flange.
- **Note:** Turning the fixture upside down on a flat surface may ease installation.

2. Secure Flange



- Mark each hole location on the flange to the fixture body. Drill pilot holes.
- Secure the flange to the body at all (6) points available using #8 1/4" sheet metal screws. Install is now complete.

Items Used In This Step



Drill