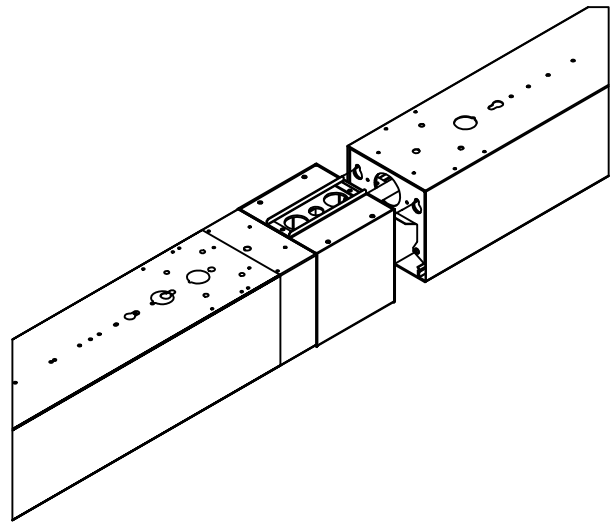


## INSTALLATION INSTRUCTIONS FOR THE JOINER BOX HANGING KIT

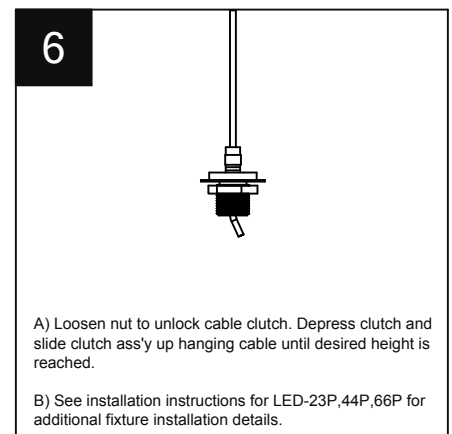
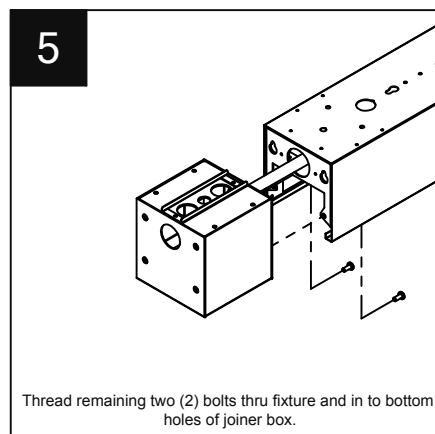
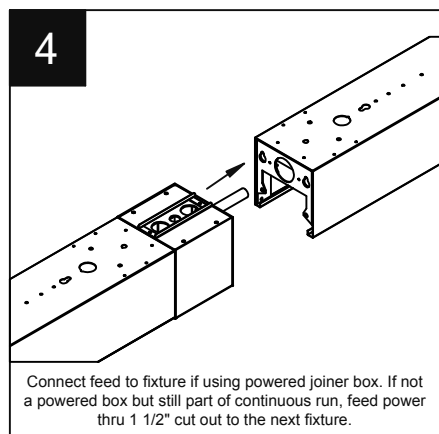
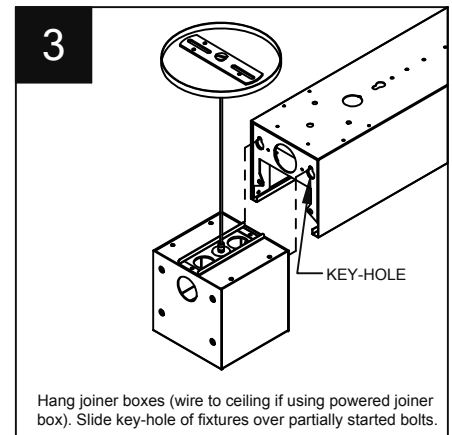
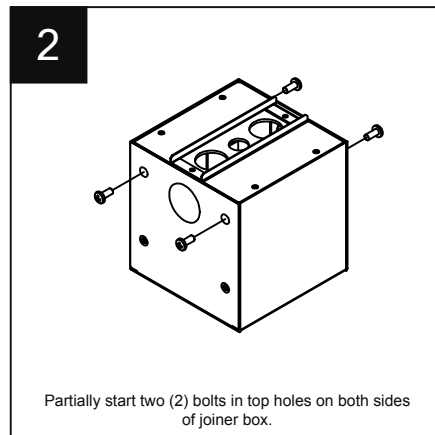
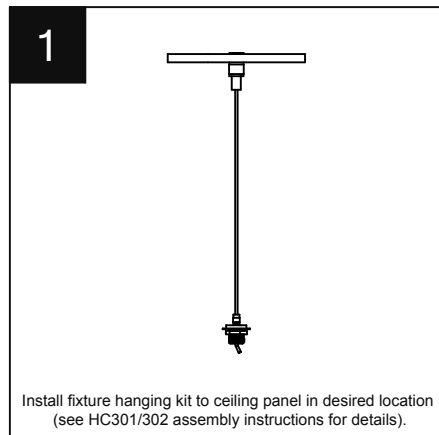
APPLICATION: Pendant Mount Lighting



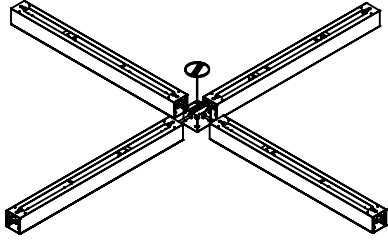
### STOP! - READ THIS FIRST! - IMPORTANT SAFETY INSTRUCTIONS!

- Do not install damaged product. This kit is properly packed to prevent damage during transit.
- Use only for recommended pendant mount fixtures.
- Caution: Ends of hanging cables may be sharp!
- Do not modify hanging kit in any way.
- Only mount to secure structures.

Carefully read the instructions pertaining to this hanging kit thoroughly before beginning installation.	Please recycle. For information on how to recycle, please visit <a href="http://www.epa.gov">www.epa.gov</a> .
Some features may vary slightly from images shown.	Do not install in applications other than intended use.

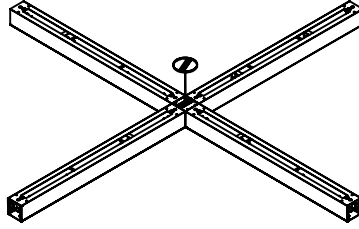


7



**3&4 Way Joiner:** For 3 & 4 way joiners, repeat steps 2-6 for each additional fixture to be joined.

8



Test the fixture. Install is now complete.