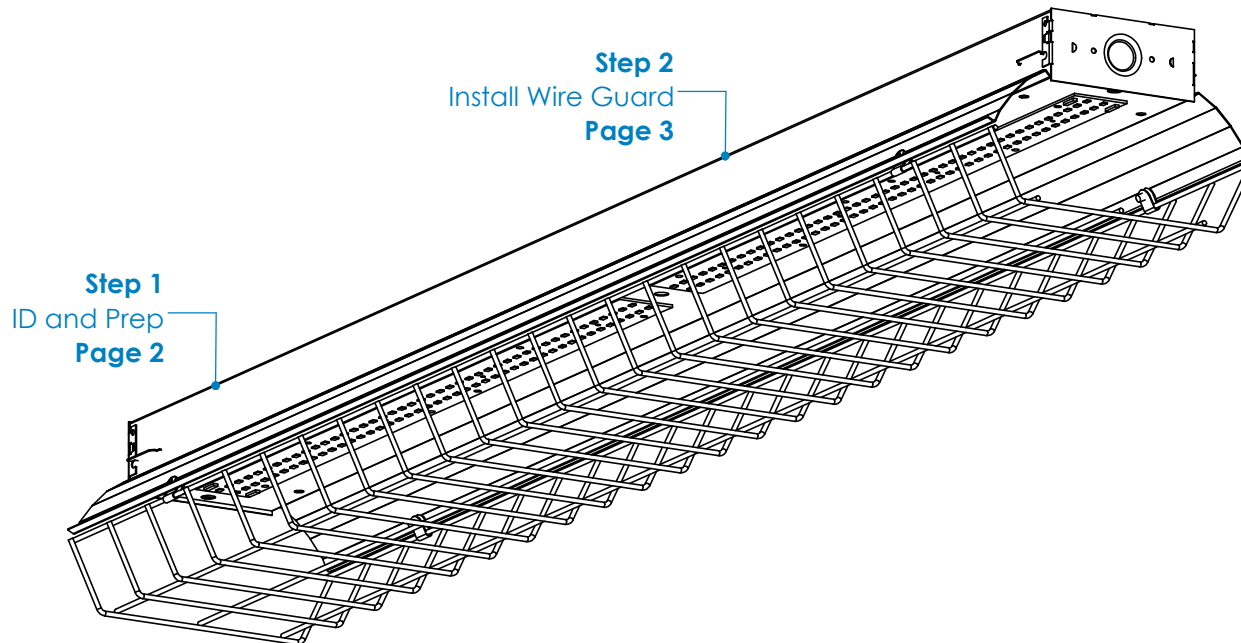


IND-Wire Guard Installation Instructions

Overview

WARNINGS

- This product must be installed in accordance with all applicable codes by a person familiar with the product.
- Each fixture must be **properly supported** during install.
- **DO NOT** join fixtures on the floor prior to lifting, or damage will occur.
- **Before beginning installation**, review our complete list of warnings by visiting www.saylite.com/warnings.



Your particular build may vary.

2020© Saylite | 2055 Luna Road, Suite 142 Carrollton, Texas 75006 | www.saylite.com

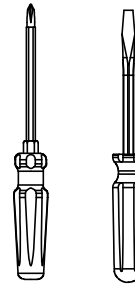
IND-Wire Guard Installation Instructions

Step 1 - Identification and Preparation

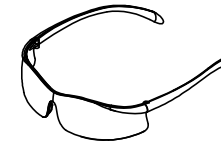
A. Identify Fixtures

SayliteLED Texas Fluorescents Reinvented	
PART# INDxxLJxxWxxxxLWxxDMVxxK	
VOLTAGE: 120-277, 50/60HZ	CCT: XXXX
WATTAGE: XX MAX	DATE CODE: XX/XX/XX
FLUX: XXXX LUMENS	TYPE: XX

B. Tools Needed



Flat head and Philip's
Screwdrivers



Safety Glasses

- Use labels found on the box and inside the fixture bodies to identify bodies.
- **NOTE:** Locations of labels can vary.
- Remove all fixtures from their boxes.
- Organize fixtures based on their labels at the install location.

- Always use proper safety equipment when installing fixtures.
- Tools shown are recommended for standard install. Tools needed may vary based on actual install location conditions.

Kitted Hardware

- Saylite has provided the items listed here, with their Saylite part numbers listed. These items can be found in separate boxes shipped with the fixture.
- Ensure all parts are accounted for and set them aside until needed.
- Any additional hardware needed for this installation will be provided by others.

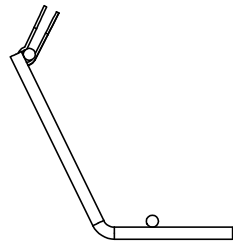
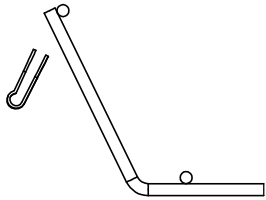
IND-Wire Guard Installation Instructions

Step 2 - Install Wire Guard



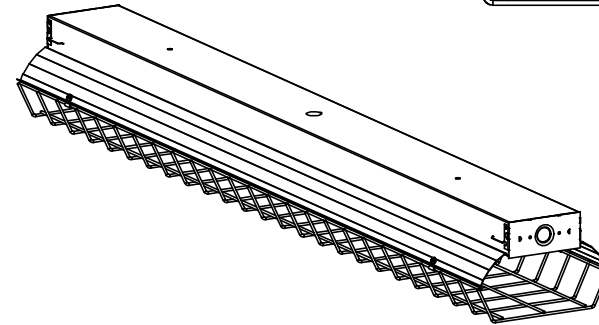
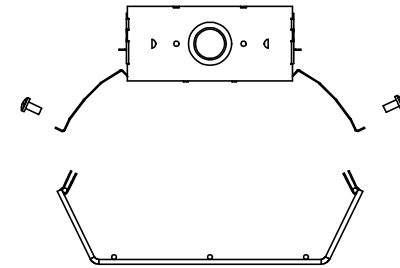
Texas Fluorescents Reinvented

A. Install Mounting Clips



- Install the mounting clips to the wire guard, slide the clips over the guard.
- Ensure the clips are spaced correctly and will align with the mounting holes on the reflector/fixture pan.

B. Secure Wire Guard to Reflector



INSTALLED

- Align the mounting clips with the holes near the corners of the reflector.
- Use provided screws to secure the mounting clips to the reflector.
- Wire guard installation is now complete.