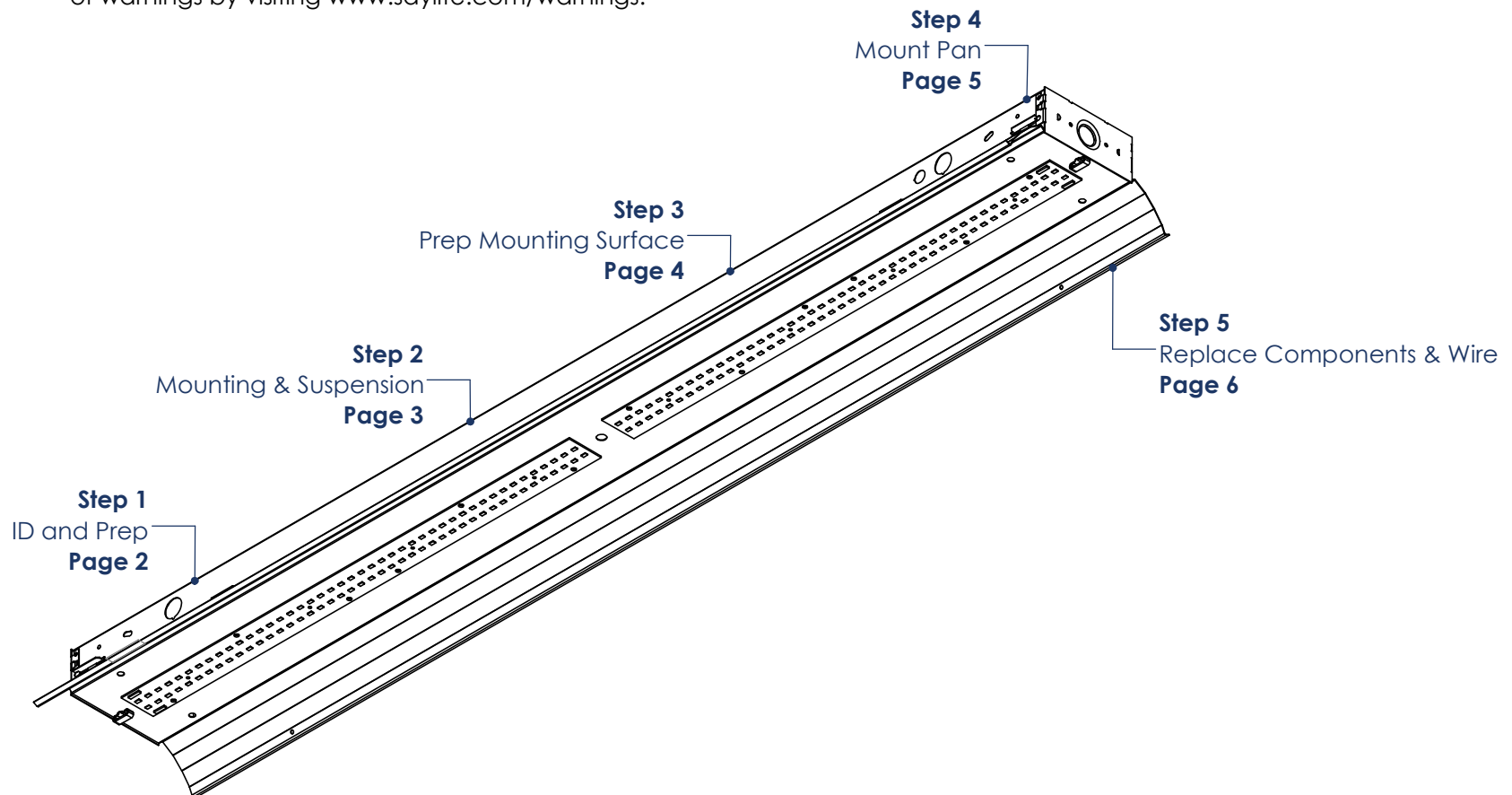


IND-Surface Mount Installation Instructions

Overview

WARNINGS

- This product must be installed in accordance with all applicable codes by a person familiar with the product.
- Each fixture must be **properly supported** during install.
- **DO NOT** join fixtures on the floor prior to lifting, or damage will occur.
- **Before beginning installation**, review our complete list of warnings by visiting www.saylite.com/warnings.



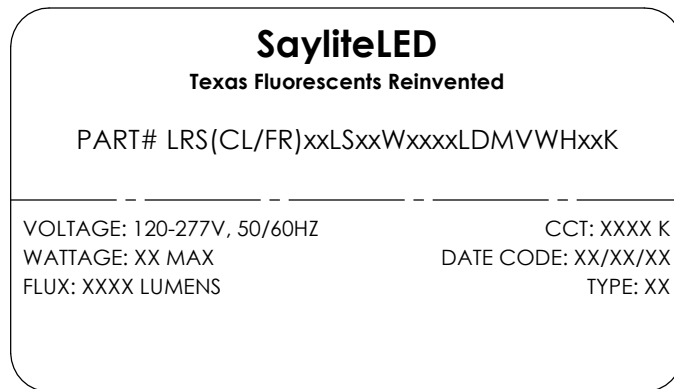
Your particular build may vary.

2022© Saylite | 2055 Luna Road, Suite 142 Carrollton, Texas 75006 | www.saylite.com

IND-Surface Mount Installation Instructions

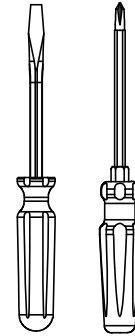
Step 1 - Identification and Preparation

A. Identify Fixtures

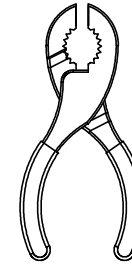


- Use labels found on the box and inside the fixture bodies to identify bodies.
- **NOTE:** Locations of labels can vary.
- Remove all fixtures from their boxes.
- Organize fixtures based on their labels at the install location.

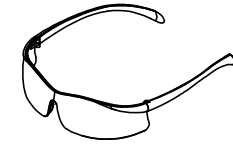
B. Tools Needed



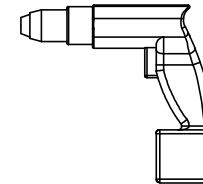
Flat head & Philip's
Screwdriver



Pliers



Safety Glasses



Drill

- Always use proper safety equipment when installing fixtures.
- Tools shown are recommended for standard install. Tools needed may vary based on actual install location conditions.

Kitted Hardware

- Saylite has provided the items listed here, with their Saylite part numbers listed. These items can be found in separate boxes shipped with the fixture.
- Ensure all parts are accounted for and set them aside until needed.
- Any additional hardware needed for this installation will be provided by others.

IND-Surface Mount Installation Instructions

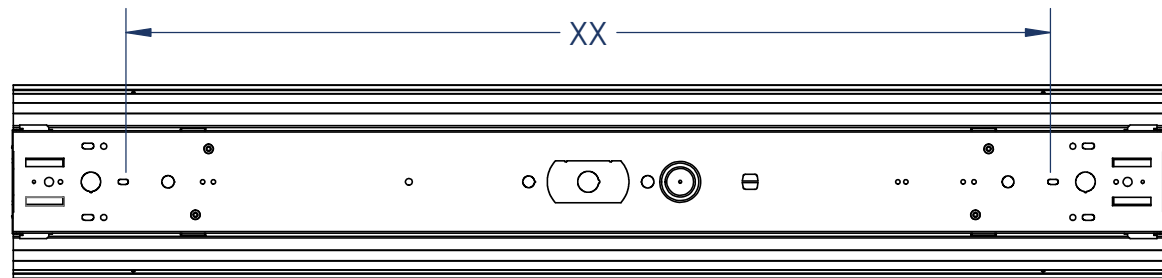
Step 2 - Mounting and Suspension

Mounting

Drywall or other hard surfaces - Anchored Screws

- Install anchors at mounting locations.
- Ensure anchors are secure.
- Prepare fixture for mounting.

Other hard surfaces include: wood, sheet metal panels, steel beams, concrete or masonry. Use hardware appropriate for each surface and material type.



Suspension Locations

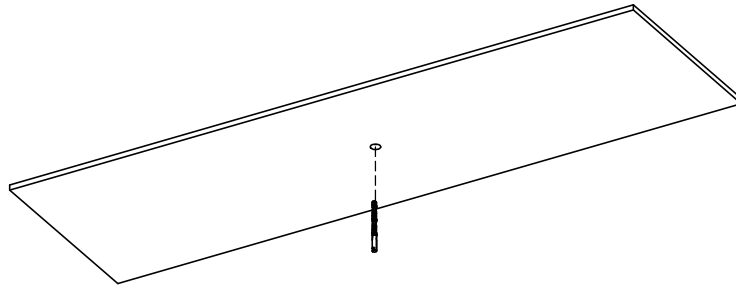
X = Suspension Dimensions

Refer to Assembly Drawings and building plans to determine exact mounting, suspension points, and power feed locations.

IND-Surface Mount Installation Instructions

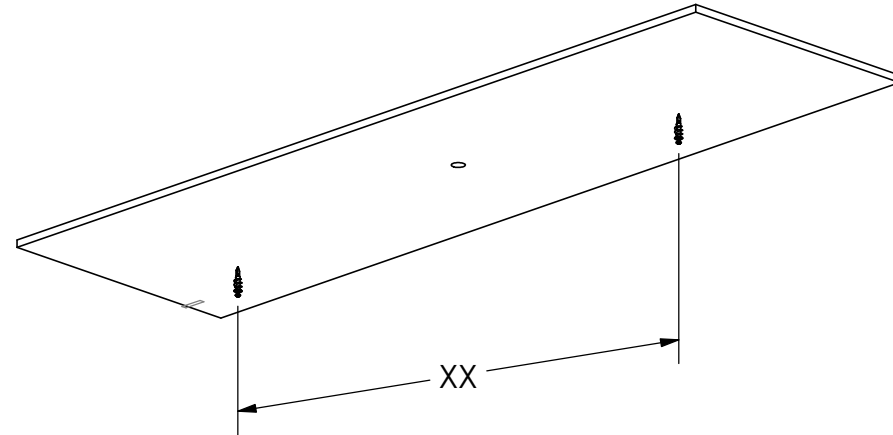
Step 3 - Prepare Mounting Surface

A. Drill Thru Hole for Wiring



- Use a 7/8" diameter drill bit to create a hole for wiring.
- Optionally, rough in a hole for a j-box to pass thru wiring.

B. Install Anchors to Mounting Surface

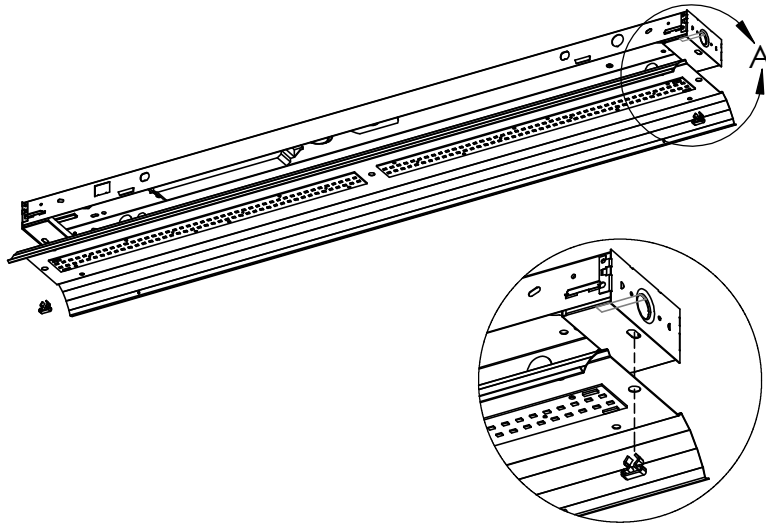


- Install screw anchors (not provided) at mounting locations. Refer to assembly drawing for more information on mounting dimensions.

IND-Surface Mount Installation Instructions

Step 4 - Mount Pan to Surface

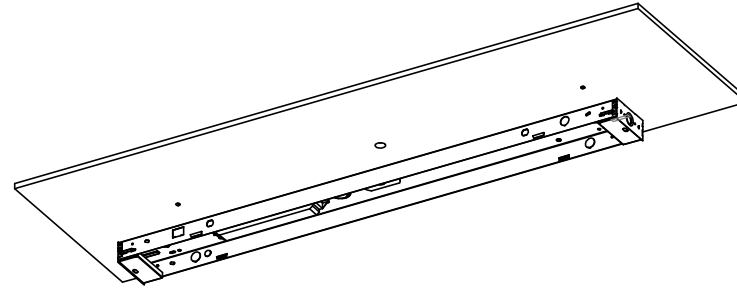
A. Uninstall Reflector



DETAIL A
SCALE 1 : 6

- Remove the quarter turn fasteners from the reflector and gently lower the reflector down.

B. Secure Pan to Mounting Surface



- Secure the fixture pan to the mounting surface using anchor screws (not provided).
- Insert screws to anchors and tighten to fully secure pan to mounting surface.

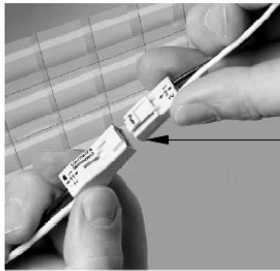
IND-Surface Mount Installation Instructions

Step 5 - Replace Components and Wire



Texas Fluorescents Reinvented

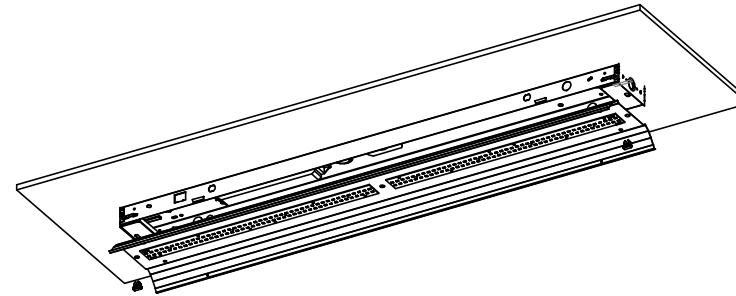
A. Connect Fixture Wiring



WIRING LEGEND		
BLACK	HOT	Line Voltage
WHITE	NEUTRAL	Line Voltage
GREEN	GROUND	
GRAY	DIMMING	0-10V DC
VIOLET	DIMMING	0-10V DC

- **Ensure power feed supply is OFF before wiring the fixture.**
- Wire the fixture to the incoming power supply using the provided quick disconnect clip as shown.
- For dimming option, refer to wiring legend above.
- Use UL approved connectors only. Follow all local, state and national codes.

B. Replace Components



- Replace the reflector by aligning the holes on each end of the reflector with the socket bars of the installed pan.
- Reinsert the quarter turn fasteners to secure the reflector to the fixture.
- Fixture installation is now complete.