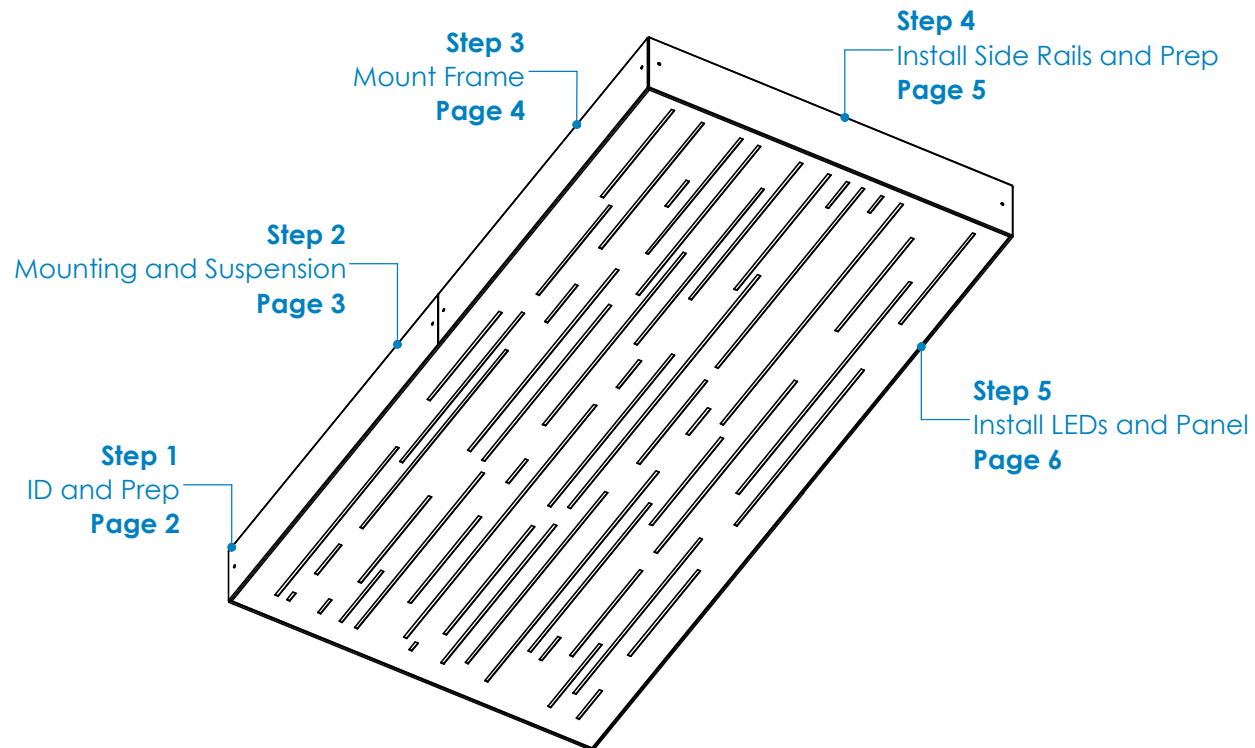


ICS-Surface/Wall Mount Installation Instructions Overview

WARNINGS

- This product must be installed in accordance with all applicable codes by a person familiar with the product.
- Each fixture must be **properly supported** during install.
- **DO NOT** join fixtures on the floor prior to lifting, or damage will occur.
- **Before beginning installation**, review our complete list of warnings by visiting www.saylite.com/warnings.



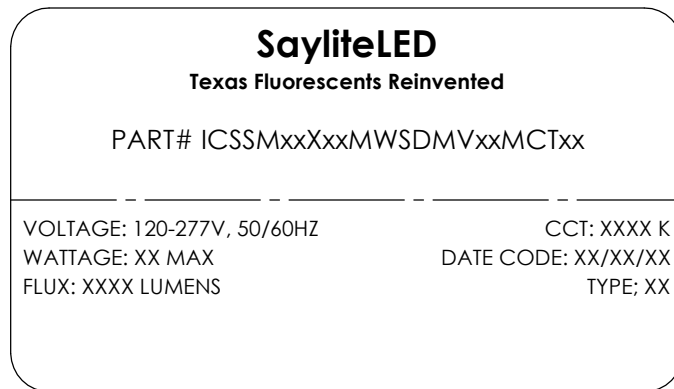
Your particular build may vary.

2020© Saylite | 2055 Luna Road, Suite 142 Carrollton, Texas 75006 | www.saylite.com

ICS-Surface/Wall Mount Installation Instructions

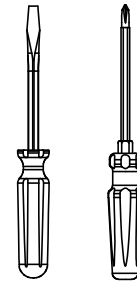
Step 1 - Identification and Preparation

A. Identify Fixtures



- Use labels found on the box and inside the fixture bodies to identify bodies.
- **NOTE:** Locations of labels can vary.
- Remove all fixtures from their boxes.
- Organize fixtures based on their labels at the install location.

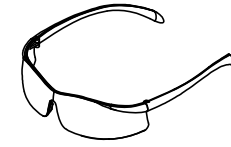
B. Tools Needed



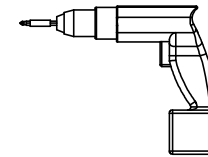
Screwdrivers



Pliers



Safety Glasses



Drill

- Always use proper safety equipment when installing fixtures.
- Tools shown are recommended for standard install. Tools needed may vary based on actual install location conditions.

Kitted Hardware

- Saylite has provided the items listed here, with their Saylite part numbers listed. These items can be found in separate boxes shipped with the fixture.
- Ensure all parts are accounted for and set them aside until needed.
- Any additional hardware needed for this installation will be provided by others.

ICS-Surface/Wall Mount Installation Instructions

Step 2 - Mounting and Suspension

Mounting

Drywall or other hard surfaces - Anchored Screws*

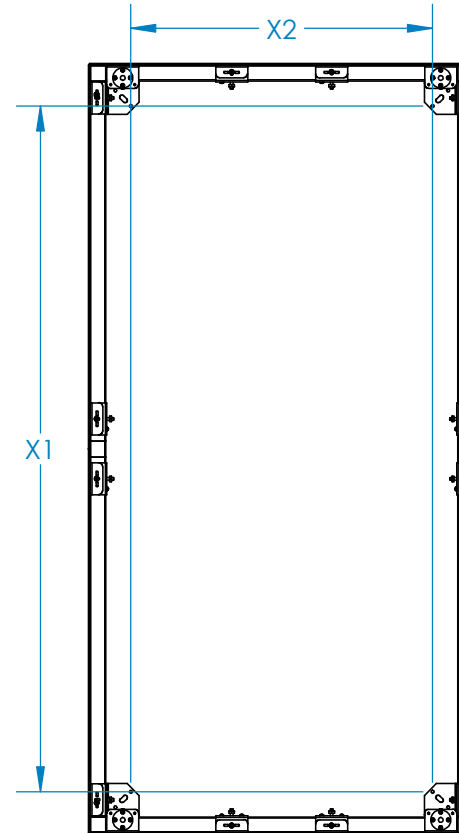
- Install anchors at suspension locations.
- Ensure anchors are secure.
- Prepare fixture for mounting.

Other hard surfaces include: wood, sheet metal panels, steel beams, concrete or masonry. Use hardware appropriate for each surface and material type.

Suspension Locations

X = Suspension Dimensions

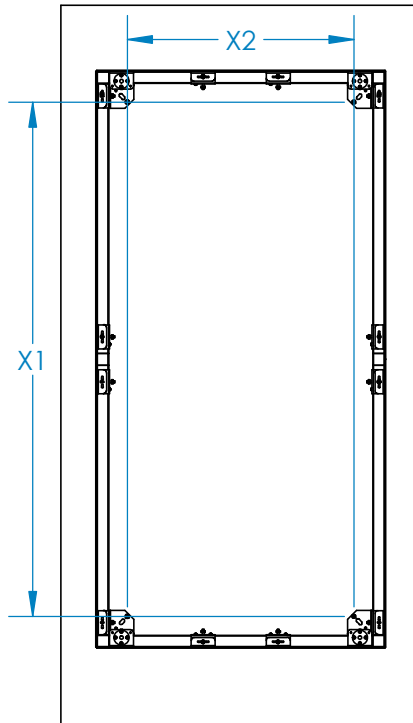
Refer to Assembly Drawings and building plans to determine exact mounting, suspension points, and power feed locations.



ICS-Surface/Wall Mount Installation Instructions

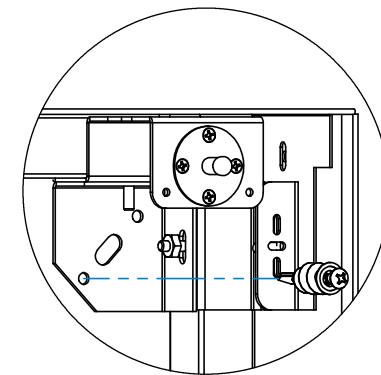
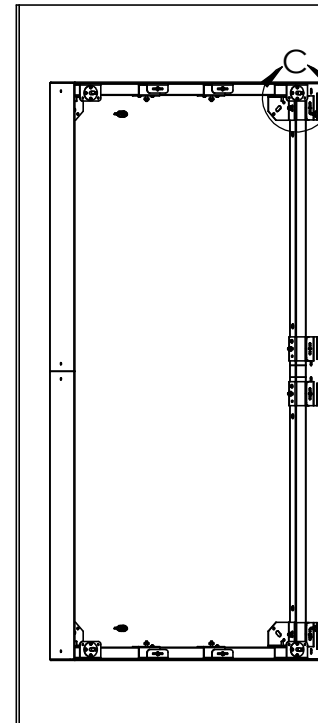
Step 3 - Mount Frame to Surface

A. Transfer Measurements



- Transfer mounting dimensions to mounting surface, refer to assembly drawings for specific dimensions.

B. Secure to Mounting Surface



DETAIL C
SCALE 1 : 3

- Install mounting screws to secure frame to surface. If necessary, install anchors at mounting locations and then secure frame to anchors.

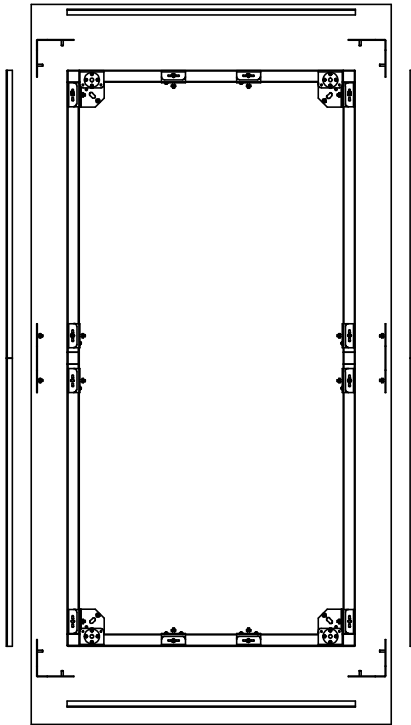
ICS-Surface/Wall Mount Installation Instructions

Step 4 - Install Side Rails and Prepare for Install



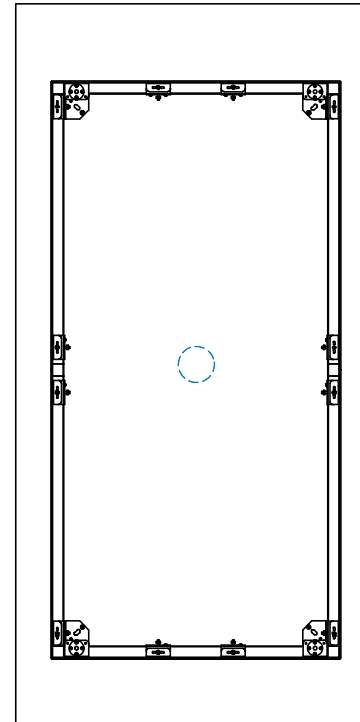
Texas Fluorescents Reinvented

A. Install Side Rails



- Install the side rails to the assembly, align the studs on the frame brackets and insert.
- Use provided nuts to secure side rails to the assembly.

B. Prep for LED Fixture Install



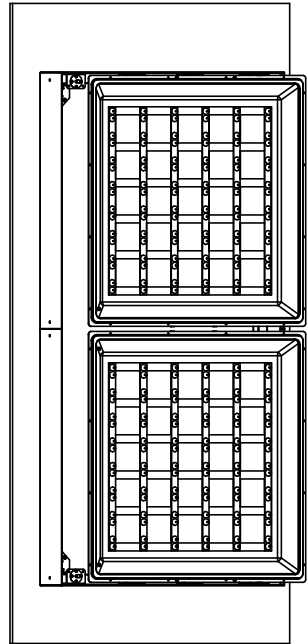
- Prepare the assembly for wiring by drilling a hole for a junction box.
- Prior to installing LED fixtures, use switches to set desired wattage and color temperature.

ICS-Surface/Wall Mount Installation Instructions

Step 5 - Install LED Fixtures and Panel

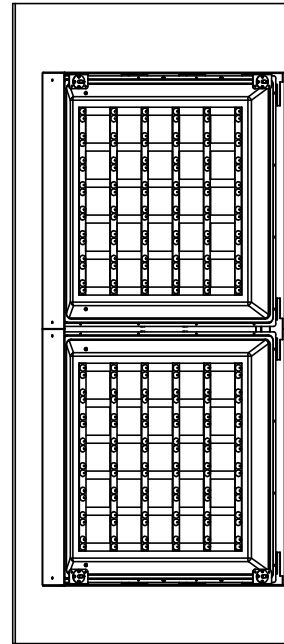
A. Wire and Insert LED Fixtures

WIRING LEGEND		
BLACK	HOT	Line Voltage
WHITE	NEUTRAL	Line Voltage
GREEN	GROUND	
GRAY	DIMMING	0-10V DC
VIOLET	DIMMING	0-10V DC



- Wire fixtures to the incoming power supply using the provided quick disconnect clip.
- For dimming option, refer to wiring legend above.
- Use UL approved connectors only. Follow all local, state and national codes.
- Insert fixtures to frame assembly, ensuring the sides with switches are facing one another.

B. Secure LED Fixtures and Install Panel



- Secure the LED fixtures with the provided #8 screws, and install the access cover between the fixtures.
- Snap the panel into the assembly by pushing the female connectors in each corner of the panel onto the male connectors in the corners of the framing.
- Installation is now complete.

