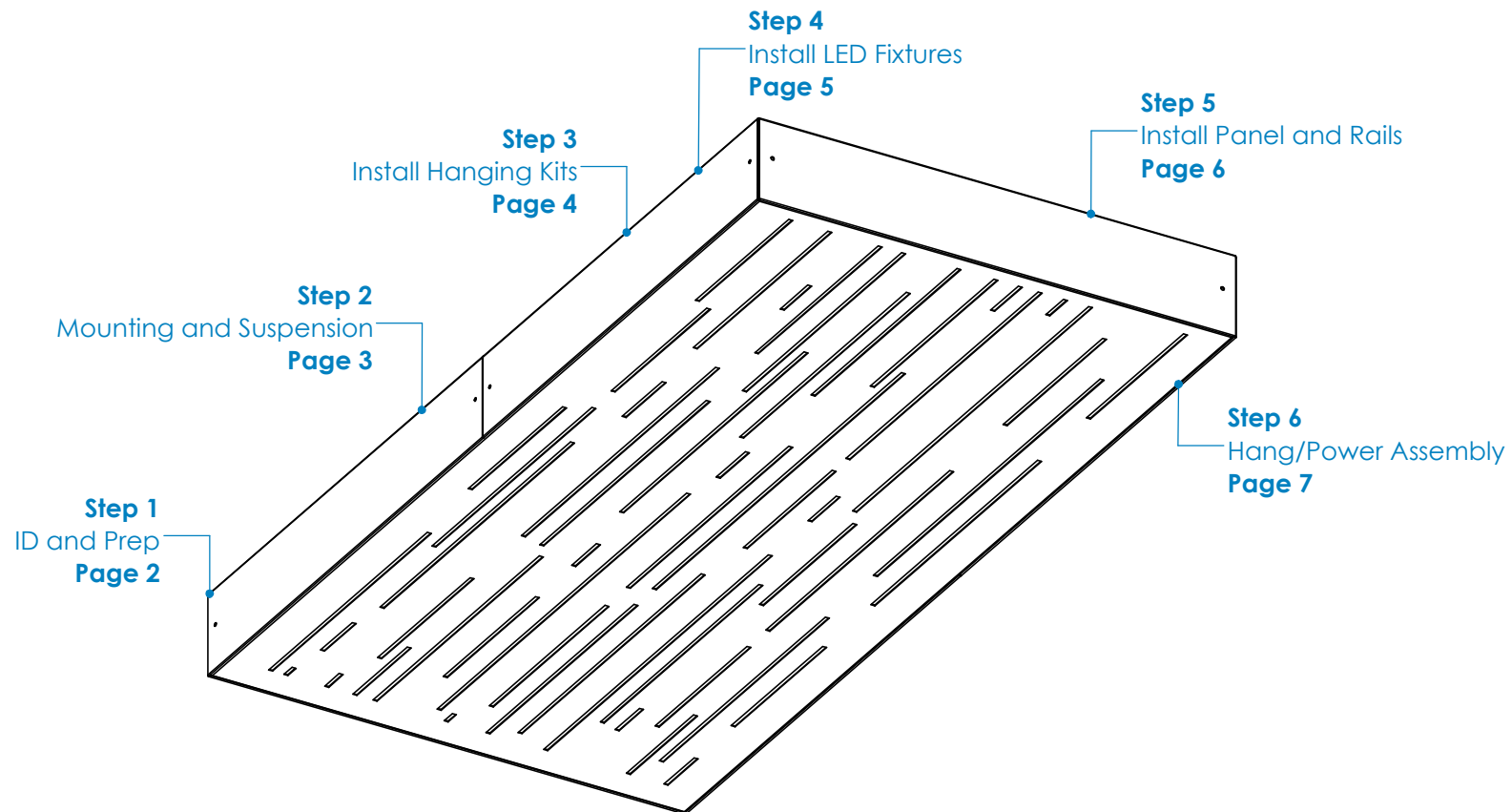


ICS-Pendant Installation Instructions

Overview

WARNINGS

- This product must be installed in accordance with all applicable codes by a person familiar with the product.
- Each fixture must be **properly supported** during install.
- **DO NOT** join fixtures on the floor prior to lifting, or damage will occur.
- **Before beginning installation**, review our complete list of warnings by visiting www.saylite.com/warnings.



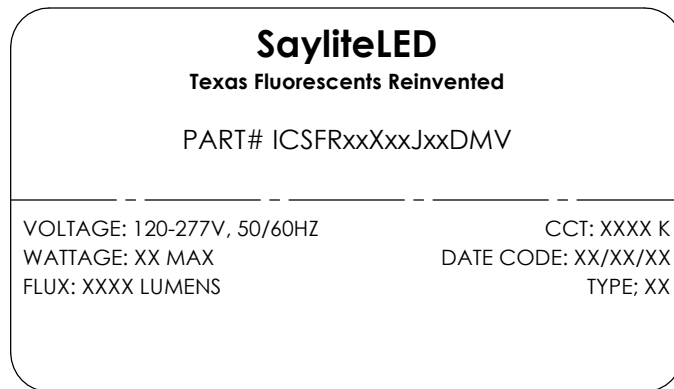
Your particular build may vary.

2020© Saylite | 2055 Luna Road, Suite 142 Carrollton, Texas 75006 | www.saylite.com

ICS-Pendant Installation Instructions

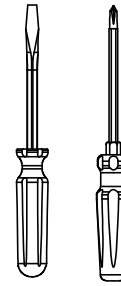
Step 1 - Identification and Preparation

A. Identify Fixtures



- Use labels found on the box and inside the fixture bodies to identify bodies.
- **NOTE:** Locations of labels can vary.
- Remove all fixtures from their boxes.
- Organize fixtures based on their labels at the install location.

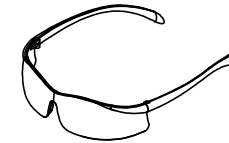
B. Tools Needed



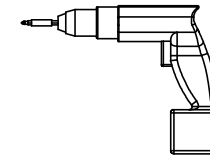
Screwdrivers



Pliers



Safety Glasses



Drill

- Always use proper safety equipment when installing fixtures.
- Tools shown are recommended for standard install. Tools needed may vary based on actual install location conditions.

Kitted Hardware

- Saylite has provided the items listed here, with their Saylite part numbers listed. These items can be found in separate boxes shipped with the fixture.
- Ensure all parts are accounted for and set them aside until needed.
- Any additional hardware needed for this installation will be provided by others.

ICS-Pendant Installation Instructions

Step 2 - Mounting and Suspension

Mounting

Drywall or other hard surfaces - HC 712 Hanging Kit*

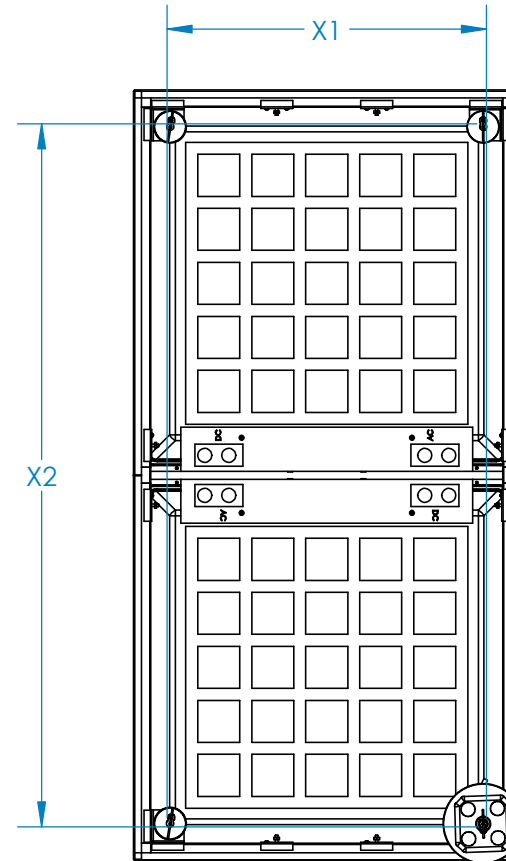
- Install hanging kits at suspension locations.
- Ensure hanging kits are secure.
- Prepare fixture for mounting.

Other hard surfaces include: wood, sheet metal panels, steel beams, concrete or masonry. Use hardware appropriate for each surface and material type.

Suspension Locations

X = Suspension Dimensions

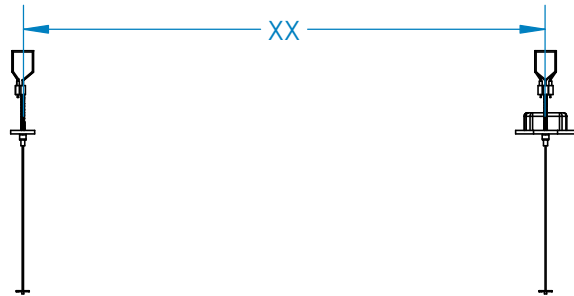
Refer to Assembly Drawings and building plans to determine exact mounting, suspension points, and power feed locations.



ICS-Pendant Installation Instructions

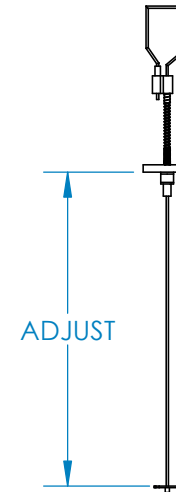
Step 3 - Install Hanging Kits

A. Install to Ceiling



- Install the hanging kits to the ceiling at the desired mounting locations.
- Ensure that hanging kits are properly secured.

B. Adjust Cable Lengths

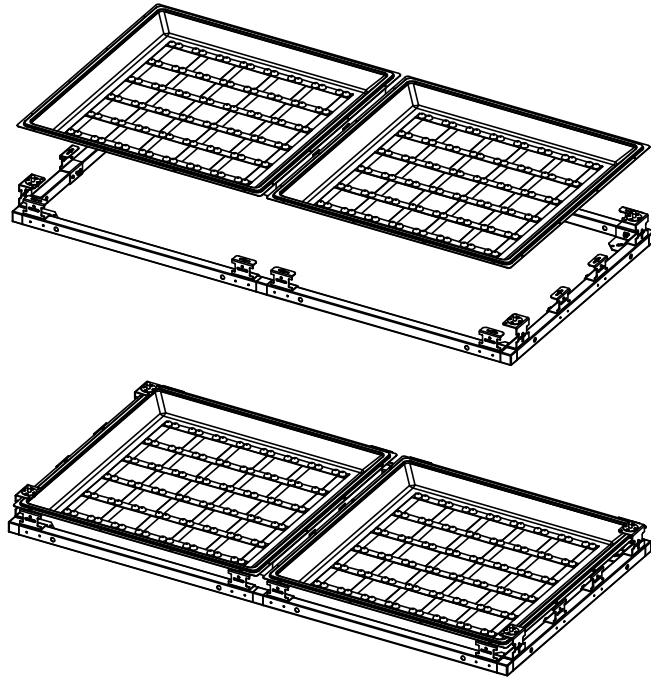


- Adjust hanging cables to desired length, cables can be further adjusted after fixture is installed.
- Refer to hanging kit installation guide for more information.

ICS-Pendant Installation Instructions

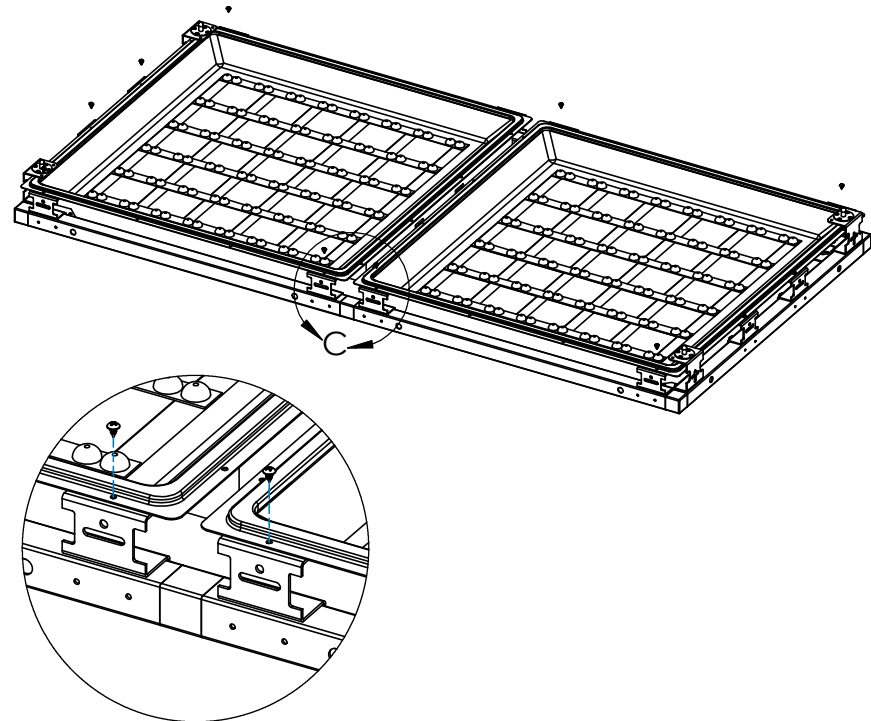
Step 4 - Install LED Fixture(s) to Frame

A. Insert Fixtures to Frame Assembly



- Insert each LED flat panel fixture into the frame.
- Ensure the switches on the LED flat panels are facing one another when inserted to the frame. This will ensure the switches are accessible.

B. Secure Fixtures to Frame Assembly



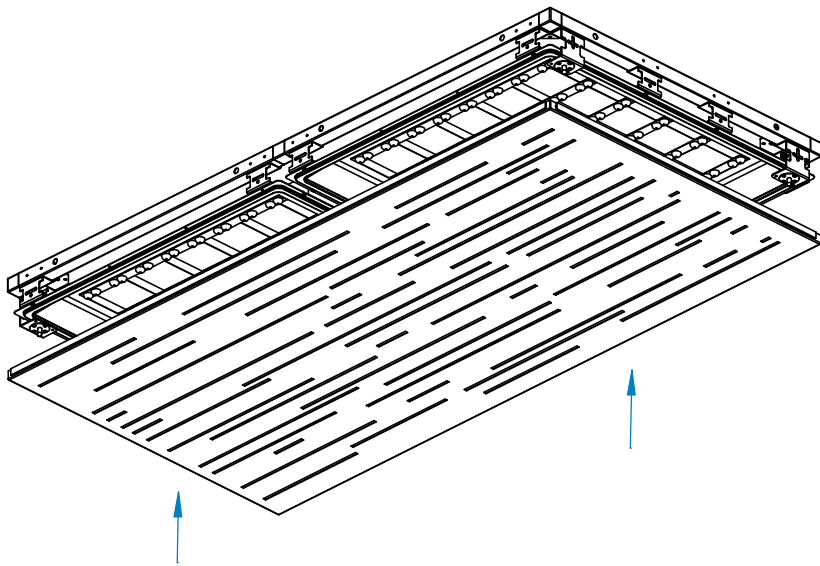
DETAIL C
SCALE 1 : 4

- Use the provided #8 screws to secure the LED fixtures to the frame assembly. Screws will be aligned with brackets on frame.

ICS-Pendant Installation Instructions

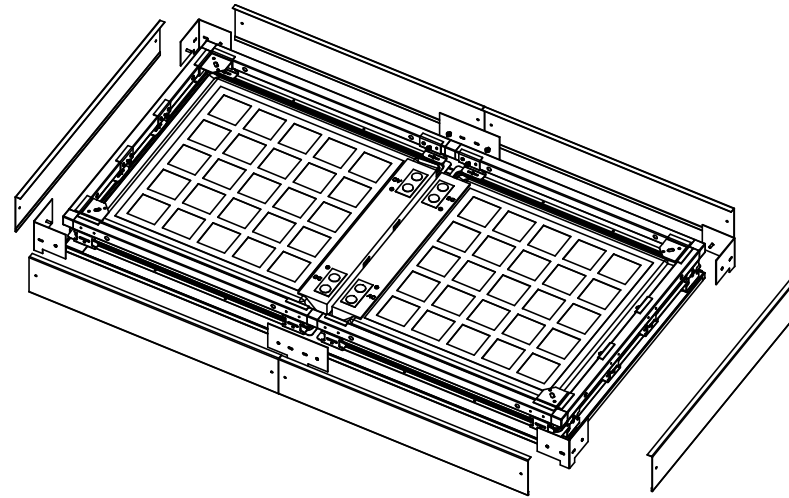
Step 5 - Install Front Panel and Side Rails

A. Secure Side Rails



- Install the front panel to the assembly. The panel has four (4) female connectors at each corner of the panel that snap into the male connectors mounted on the frame.

B. Snap-In Front Panel

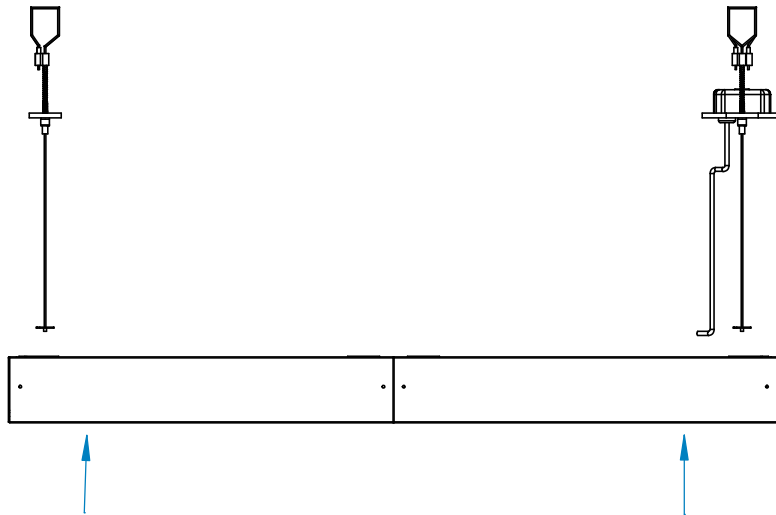


- Install the frame clamp plates to the frame at all corners and on sides longer than 2 ft. Use provided nuts to secure the clamp plates to the frame.
- Install the side rails to the frame assembly. Align the holes on each end of the side rail with the slots of the frame clamp plates and secure using provided screws.

ICS-Pendant Installation Instructions

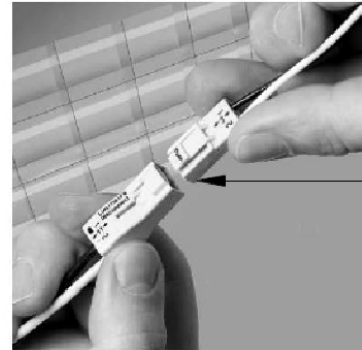
Step 6 - Hang and Power Assembly

A. Hang the Assembly



- Hang the assembly by inserting the toggle paddles into the slot of each corner bracket.
- Rotate paddles as parallel to cable as possible to insert to slot.

B. Connect Assembly Wiring



WIRING LEGEND		
BLACK	HOT	Line Voltage
WHITE	NEUTRAL	Line Voltage
GREEN	GROUND	
GRAY	DIMMING	0-10V DC
VIOLET	DIMMING	0-10V DC

- Wire fixtures to the incoming power supply using the provided quick disconnect clip as shown.
- For dimming option, refer to wiring legend above.
- Use UL approved connectors only. Follow all local, state and national codes.
- Installation is now complete.