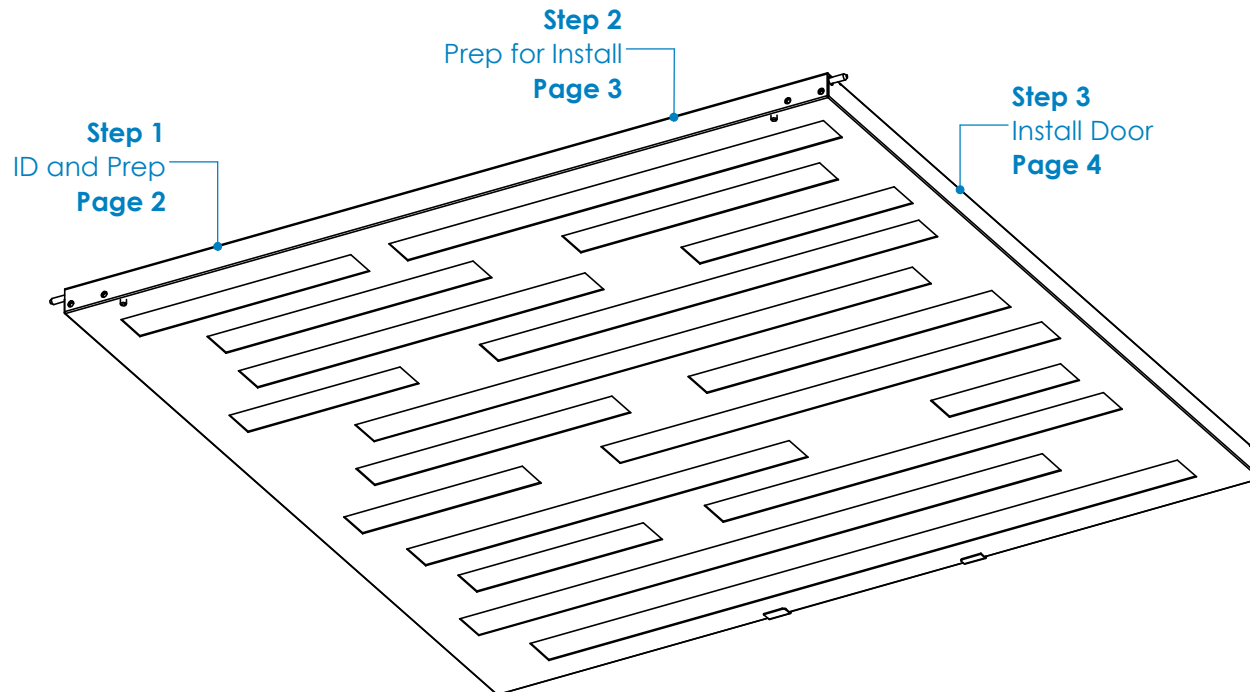


# ICR-Door Only Installation Instructions

## Overview

### WARNINGS

- This product must be installed in accordance with all applicable codes by a person familiar with the product.
- Each fixture must be **properly supported** during install.
- **DO NOT** join fixtures on the floor prior to lifting, or damage will occur.
- **Before beginning installation**, review our complete list of warnings by visiting [www.saylite.com/warnings](http://www.saylite.com/warnings).



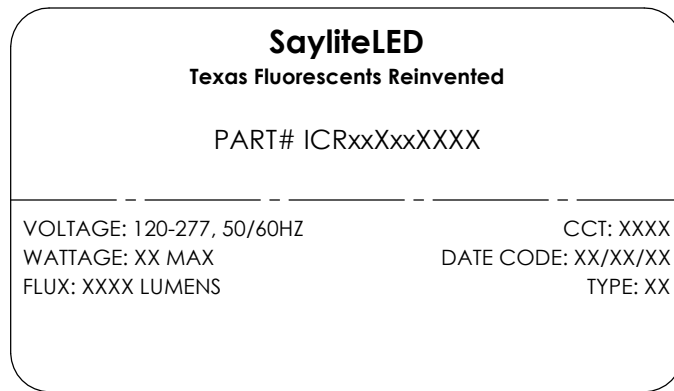
Your particular build may vary.

2020© Saylite | 2055 Luna Road, Suite 142, Carrollton, TX 75006 | [www.saylite.com](http://www.saylite.com)

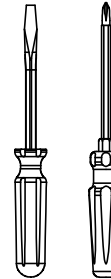
# ICR-Door Only Installation Instructions

## Step 1 - Identification and Preparation

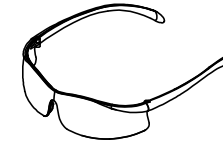
### A. Identify Fixtures



### B. Tools Needed



Screwdrivers



Safety Glasses

- Use labels found on the box and inside the fixture bodies to identify bodies.
- **NOTE:** Locations of labels can vary.
- Remove all fixtures from their boxes.
- Organize fixtures based on their labels at the install location.

- Always use proper safety equipment when installing fixtures.
- Tools shown are recommended for standard install. Tools needed may vary based on actual install location conditions.

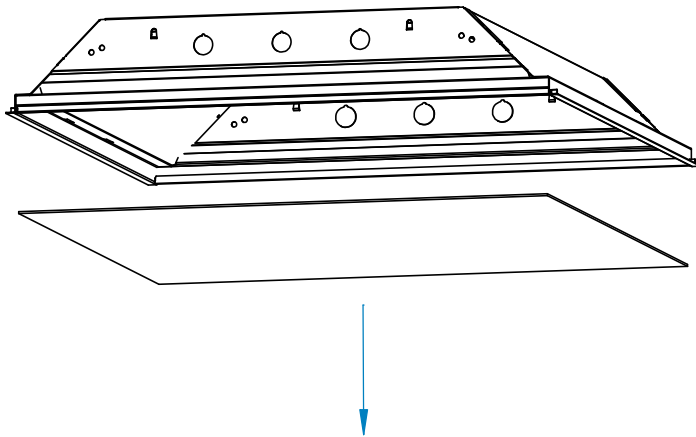
### Kitted Hardware

- Saylite has provided the items listed here, with their Saylite part numbers listed. These items can be found in separate boxes shipped with the fixture.
- Ensure all parts are accounted for and set them aside until needed.
- Any additional hardware needed for this installation will be provided by others.

# ICR-Door Only Installation Instructions

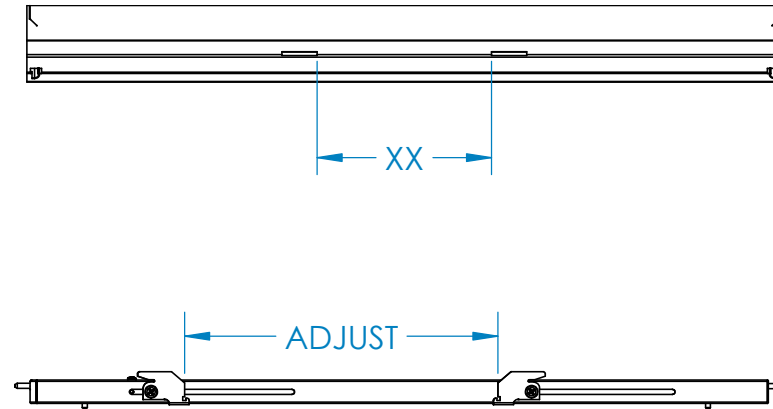
## Step 2 - Prepare Fixture for Door Installation

### A. Remove Lens



- Remove the lens from the current fixture, uninstall any lens clips or brackets as needed to remove the lens.

### B. Adjust Securing Clips



- Adjust the securing clips on the door assembly to fit the slots on the side of your fixture.
- The minimum width between the clips should match the measured dimension between the slots on your fixture.

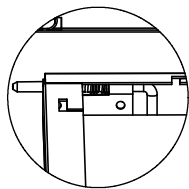
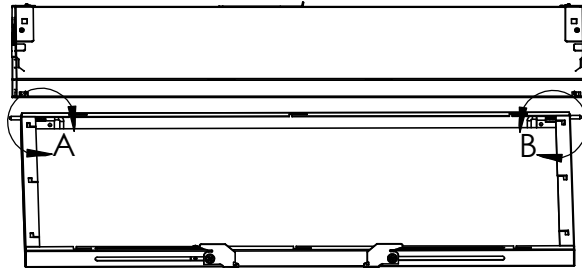
# ICR-Door Only Installation Instructions

## Step 3 - Install Door

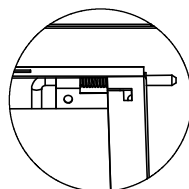


Texas Fluorescents Reinvented

### A. Insert Door



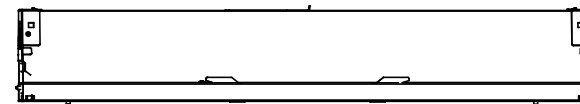
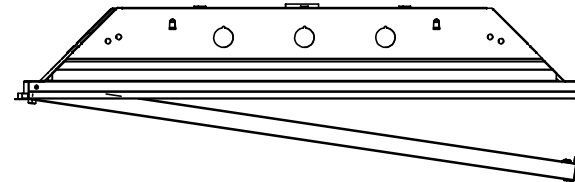
DETAIL A  
SCALE 1 : 3



DETAIL B  
SCALE 1 : 3

- Insert the spring latch side of the door to the fixture first.
- Squeeze both latches inward to slide it in and then release the latches once the door is in position.

### B. Secure Door



- With the spring latch side of the door in the fixture, swing the opposite end of the door assembly up and into the fixture.
- Ensure the securing clips slide into the slots of the fixture and hold the door in place.
- Installation is now complete.