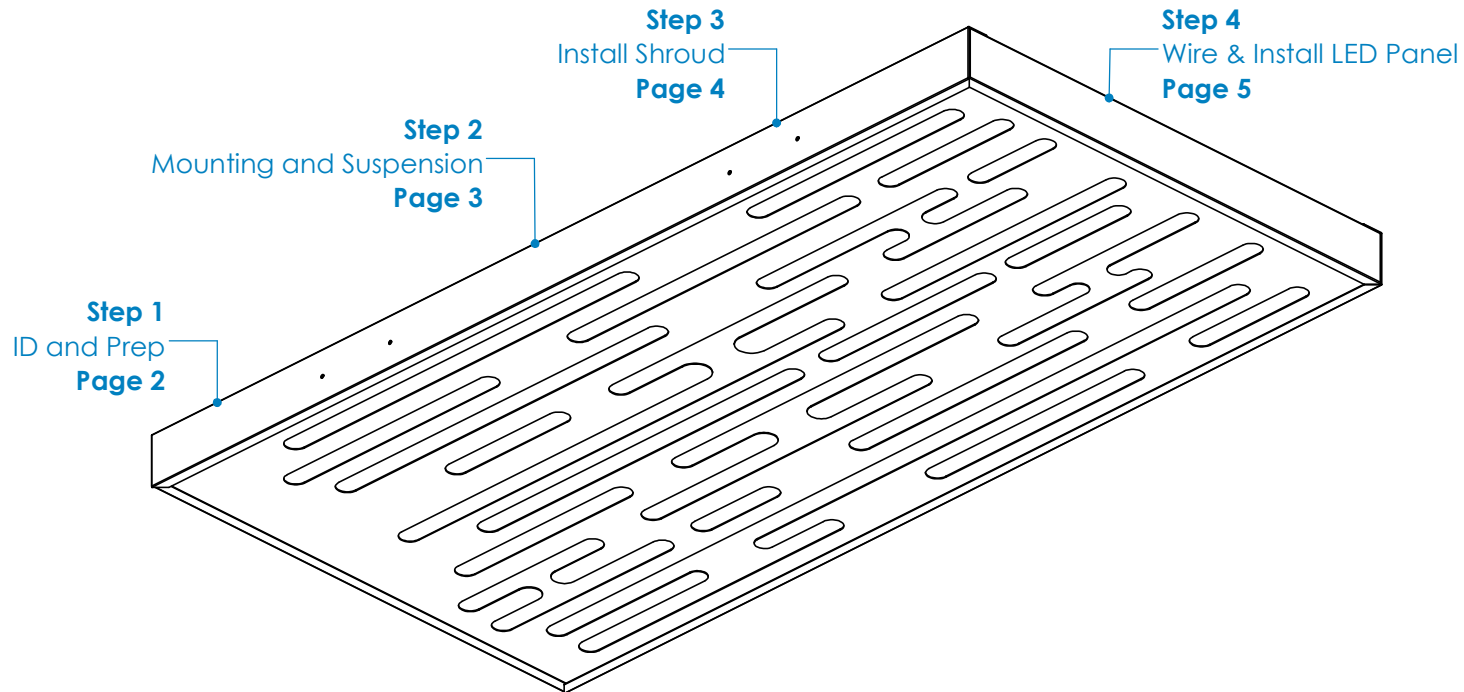


ICF Surface Mount Installation Instructions

Overview

WARNINGS

- This product must be installed in accordance with all applicable codes by a person familiar with the product.
- Each fixture must be **properly supported** during install.
- **DO NOT** join fixtures on the floor prior to lifting, or damage will occur.
- **Before beginning installation**, review our complete list of warnings by visiting www.saylite.com/warnings.



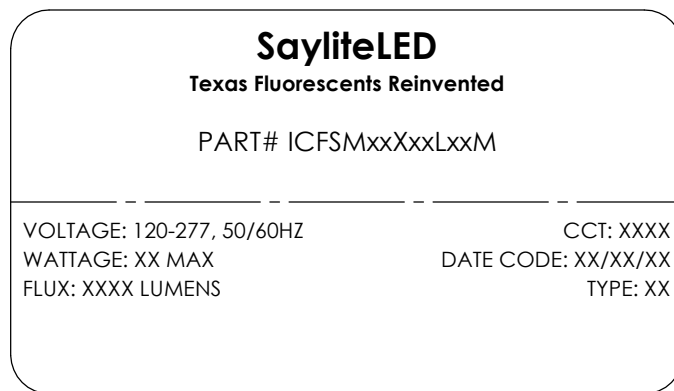
Your particular build may vary.

2020© Saylite | 2055 Luna Road, Suite 142 Carrollton, Texas 75006 | www.saylite.com

ICF Surface Mount Installation Instructions

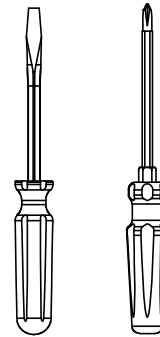
Step 1 - Identification and Preparation

A. Identify Fixtures



- Use labels found on the box and inside the fixture bodies to identify bodies.
- **NOTE:** Locations of labels can vary.
- Remove all fixtures from their boxes.
- Organize fixtures based on their labels at the install location.

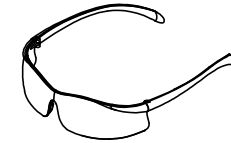
B. Tools Needed



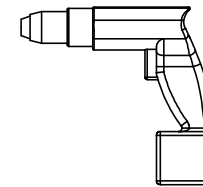
Flathead and Philip's
Screwdrivers



Pliers



Safety Glasses



Drill

- Always use proper safety equipment when installing fixtures.
- Tools shown are recommended for standard install. Tools needed may vary based on actual install location conditions.

Kitted Hardware

- Saylite has provided the items listed here, with their Saylite part numbers listed. These items can be found in separate boxes shipped with the fixture.
- Ensure all parts are accounted for and set them aside until needed.
- Any additional hardware needed for this installation will be provided by others.

ICF Surface Mount Installation Instructions

Step 2 - Mounting and Suspension

Mounting

Drywall or other hard surfaces - Anchored Screws*

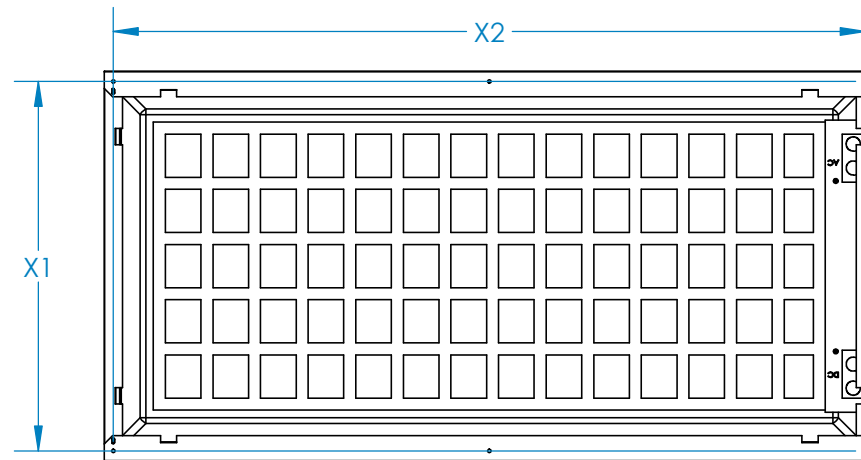
- Install anchors at suspension locations.
- Ensure anchors are secure.
- Prepare fixture for mounting.

Other hard surfaces include: wood, sheet metal panels, steel beams, concrete or masonry. Use hardware appropriate for each surface and material type.

Suspension Locations

X = Suspension Dimensions

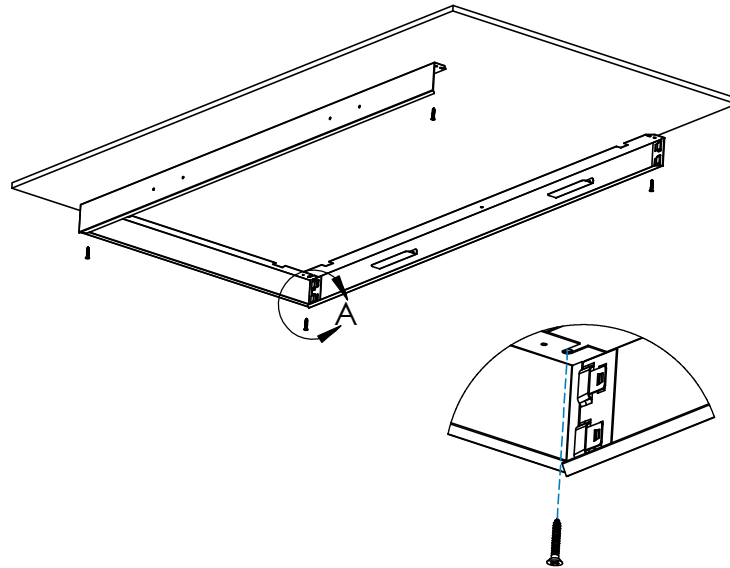
Refer to Assembly Drawings and building plans to determine exact mounting, suspension points, and power feed locations.



ICF Surface Mount Installation Instructions

Step 3 - Install Shroud to Mounting Surface

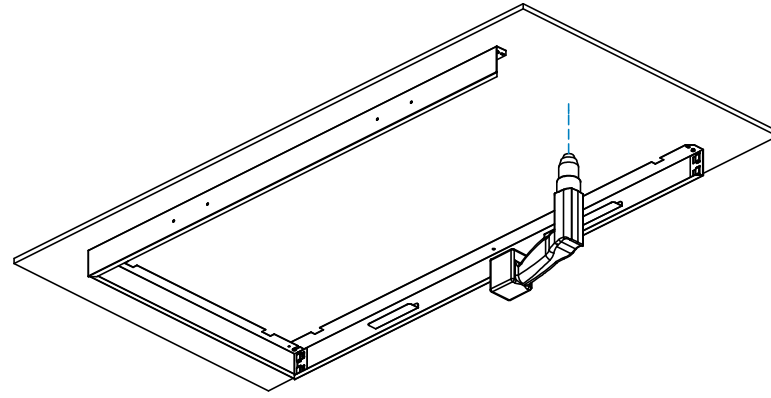
A. Secure Shroud to Mounting Surface



DETAIL A
SCALE 1 : 4

- Secure the pre-assembled 'U' part of the shroud to the mounting surface using appropriate hardware (not provided).
- Leave a slight gap on the open side of the shroud to allow the final shroud side to slide into place.

B. Locate and Drill Power Feed



- Determine location of power feed supply and drill hole to install junction box.
- Fixture switches and wiring will be located near open side of shroud.

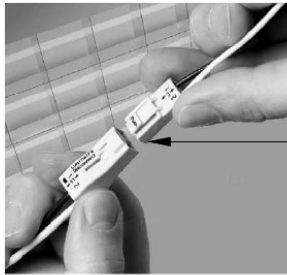
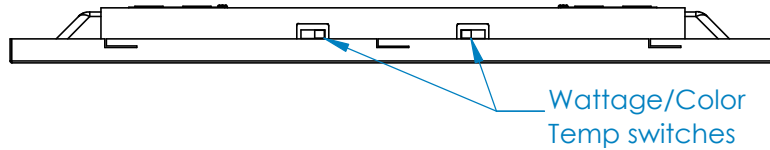
ICF Surface Mount Installation Instructions

Step 4 - Wire and Install LED Panel



Texas Fluorescents Reinvented

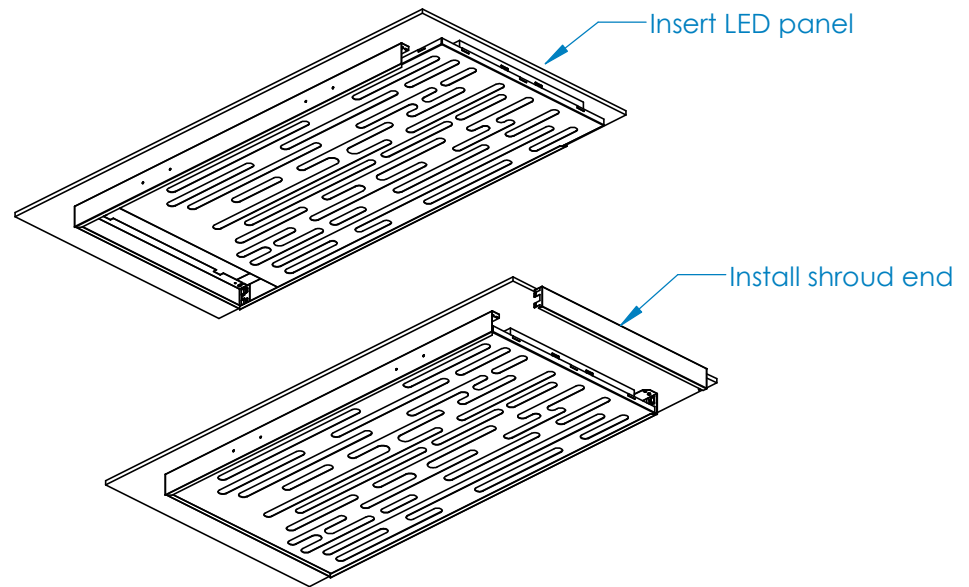
A. Set Wattage/Color Temp and Wire Fixture



WIRING LEGEND		
BLACK	HOT	Line Voltage
WHITE	NEUTRAL	Line Voltage
GREEN	GROUND	
GRAY	DIMMING	0-10V DC
VIOLET	DIMMING	0-10V DC

- Move the Wattage and Color Temperature switches to desired positions before installing the LED panel.
- Wire fixtures to the incoming power supply using the provided quick disconnect clip as shown.
- For dimming option, refer to wiring legend above.
- Use UL approved connectors only. Follow all local, state and national codes.

B. Install LED Panel to Shroud



- Insert the LED panel to the mounted shroud. Ensure the switches face the open side of the shroud.
- Once the LED panel is in place, install the final side of the shroud. Align the end piece with the mounted frame and then push the end piece into the frame. End piece will 'snap' into place.
- Fixture installation is now complete.