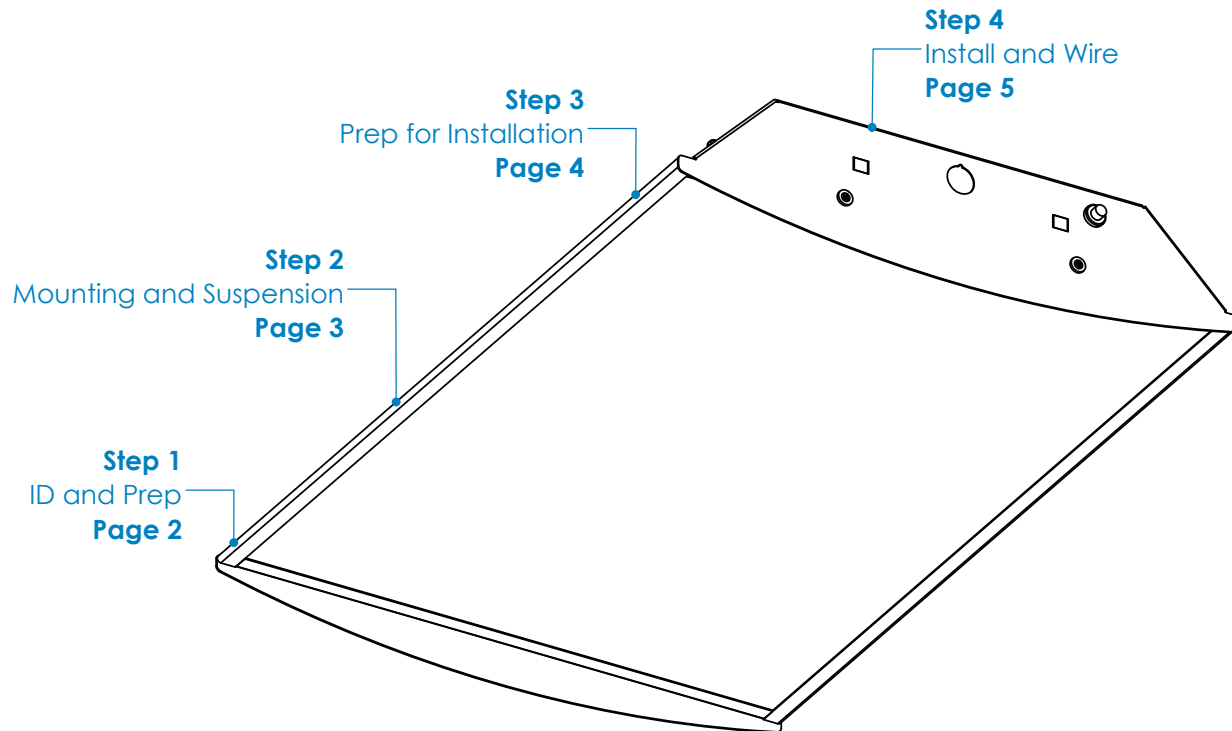


# HBC-Pendant Installation Instructions

## Overview

### WARNINGS

- This product must be installed in accordance with all applicable codes by a person familiar with the product.
- Each fixture must be **properly supported** during install.
- **DO NOT** join fixtures on the floor prior to lifting, or damage will occur.
- **Before beginning installation**, review our complete list of warnings by visiting [www.saylite.com/warnings](http://www.saylite.com/warnings).



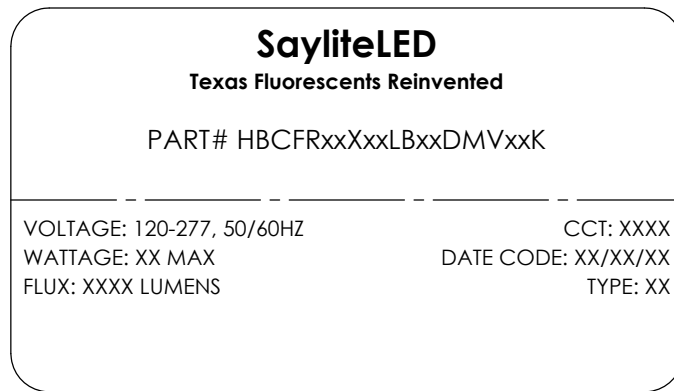
Your particular build may vary.

2020© Saylite | 2055 Luna Road, Suite 142 Carrollton, Texas 75006 | [www.saylite.com](http://www.saylite.com)

# HBC-Pendant Installation Instructions

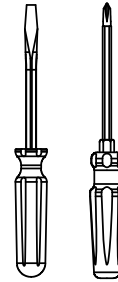
## Step 1 - Identification and Preparation

### A. Identify Fixtures

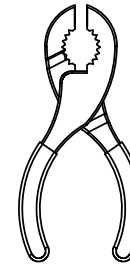


- Use labels found on the box and inside the fixture bodies to identify bodies.
- **NOTE:** Locations of labels can vary.
- Remove all fixtures from their boxes.
- Organize fixtures based on their labels at the install location.

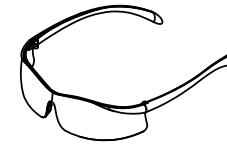
### B. Tools Needed



Screwdrivers



Pliers



Safety Glasses

- Always use proper safety equipment when installing fixtures.
- Tools shown are recommended for standard install. Tools needed may vary based on actual install location conditions.

### Kitted Hardware

- Saylite has provided the items listed here, with their Saylite part numbers listed. These items can be found in separate boxes shipped with the fixture.
- Ensure all parts are accounted for and set them aside until needed.
- Any additional hardware needed for this installation will be provided by others.

# HBC-Pendant Installation Instructions

## Step 2 - Mounting and Suspension

### Mounting

#### Drywall or other hard surfaces - GT310/315 Hanging Kit\*

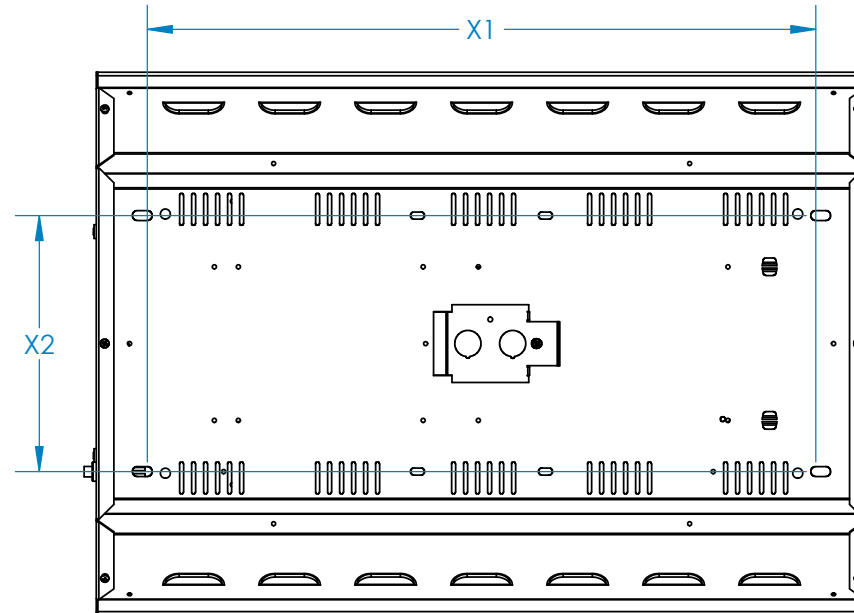
- Install hanging kits at suspension locations.
- Ensure hanging kits are secure.
- Prepare fixture for mounting.

Other hard surfaces include: wood, sheet metal panels, steel beams, concrete or masonry. Use hardware appropriate for each surface and material type.

#### Suspension Locations

**X** = Suspension Dimensions

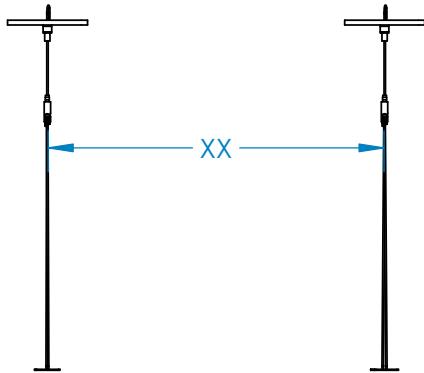
Refer to Assembly Drawings and building plans to determine exact mounting, suspension points, and power feed locations.



## HBC-Pendant Installation Instructions

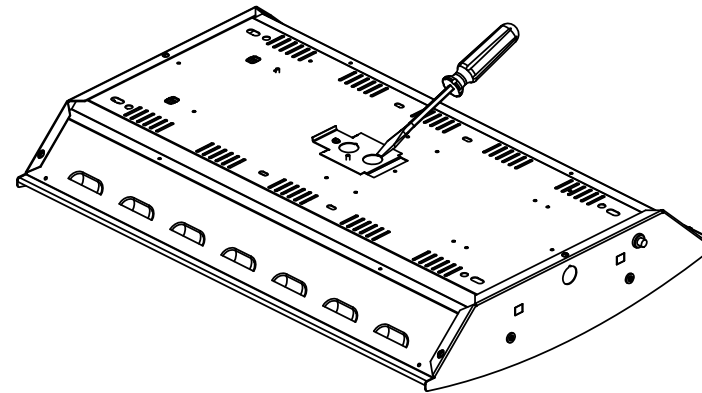
### Step 3 - Prepare for Mounting

#### A. Install Hanging Kits



- Install the hanging kits to the ceiling at the desired mounting locations.
- Ensure that hanging kits are properly secured.
- Refer to hanging kit installation guide for more information.

#### B. Open Access Cover

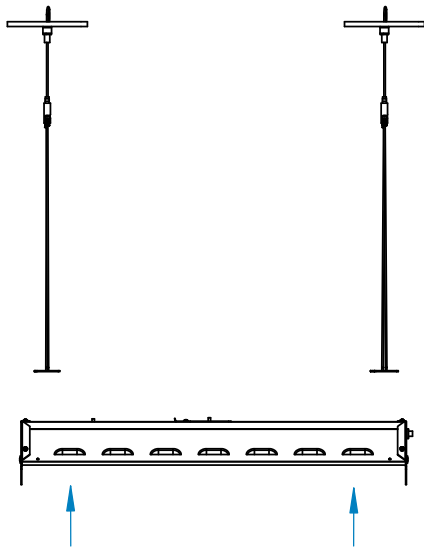


- Use a flat head screwdriver to pry up and remove desired knockout on access cover.
- Use a Philip's head screwdriver to uninstall the screw securing the access cover and remove the access cover from the fixture.

# HBC-Pendant Installation Instructions

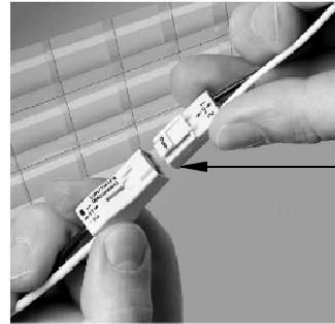
## Step 4 - Install and Wire Fixture

### A. Install Fixture to Hanging Kits



- Install the fixture to the hanging cables.
- Rotate the toggle paddles of the hanging kits as parallel as possible to the hanging cables to insert to the oblongs on the fixture.
- Adjust cable lengths to level the fixture as needed.

### B. Connect Fixture Wiring



WIRING LEGEND		
BLACK	HOT	Line Voltage
WHITE	NEUTRAL	Line Voltage
GREEN	GROUND	
GRAY	DIMMING	0-10V DC
VIOLET	DIMMING	0-10V DC

- Wire fixtures to the incoming power supply using the provided quick disconnect clip as shown.
- For dimming option, refer to wiring legend above.
- Use UL approved connectors only. Follow all local, state and national codes. Replace the access cover removed in Step 3.
- Installation is now complete.