

# HBC-FHBL-Pendant Installation Instructions

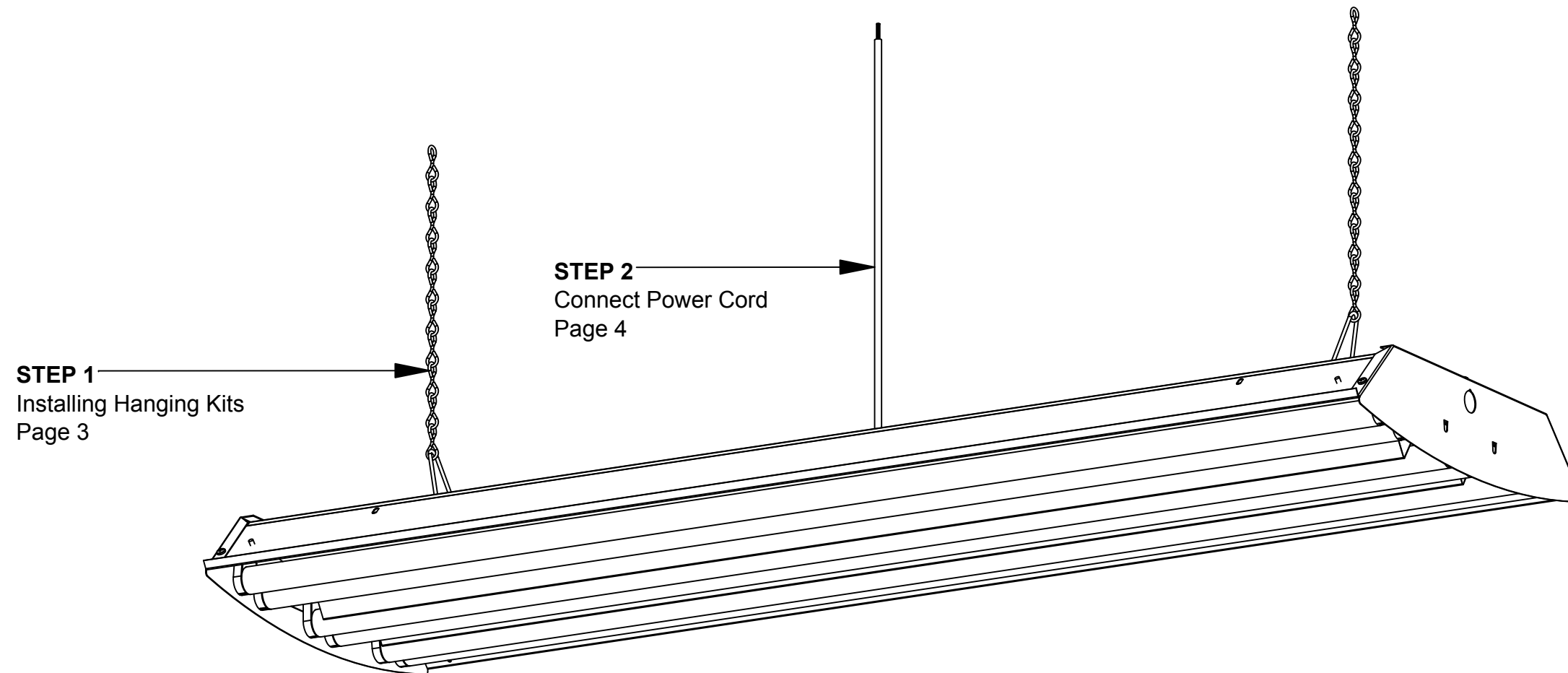
## Overview

### WARNINGS

- This product must be installed in accordance with all applicable codes by a person familiar with the product.
- Each luminaire must be **properly supported** during install.
- **DO NOT** join fixtures on the floor prior to lifting, or damage will occur.
- **Before beginning installation**, review our complete list of warnings by visiting [www.saylite.com/warnings](http://www.saylite.com/warnings).



Texas Fluorescents Reinvented



We believe  
in the power  
of light.



Your particular build may vary.

2019© Saylite | 2055 Luna Road, Suite 142 Carrollton, Texas 75006 | [www.saylite.com](http://www.saylite.com)

1 of 4

Form BWE - HBC-FHBL-Pendant, V2 01/19

# HBC-FHBL-Pendant Installation Instructions

## Preparation - Tools/Parts Identification



Texas Fluorescents Reinvented

### A. Identify Fixtures



- Use labels found on the box and inside fixture bodies to identify bodies.
- **NOTE:** Locations of labels can vary.
- Remove all fixtures from their boxes.
- Organize fixtures based on their labels at the install location.

### B. Tools Needed



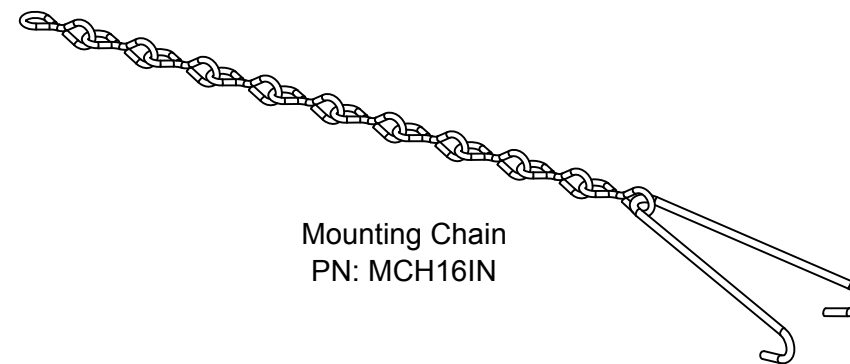
Screwdriver



Safety Glasses

- Always use proper safety equipment when installing fixtures.
- Tools shown are recommended for standard install. Tools needed may vary based on actual install location conditions.

### C. Identify Parts

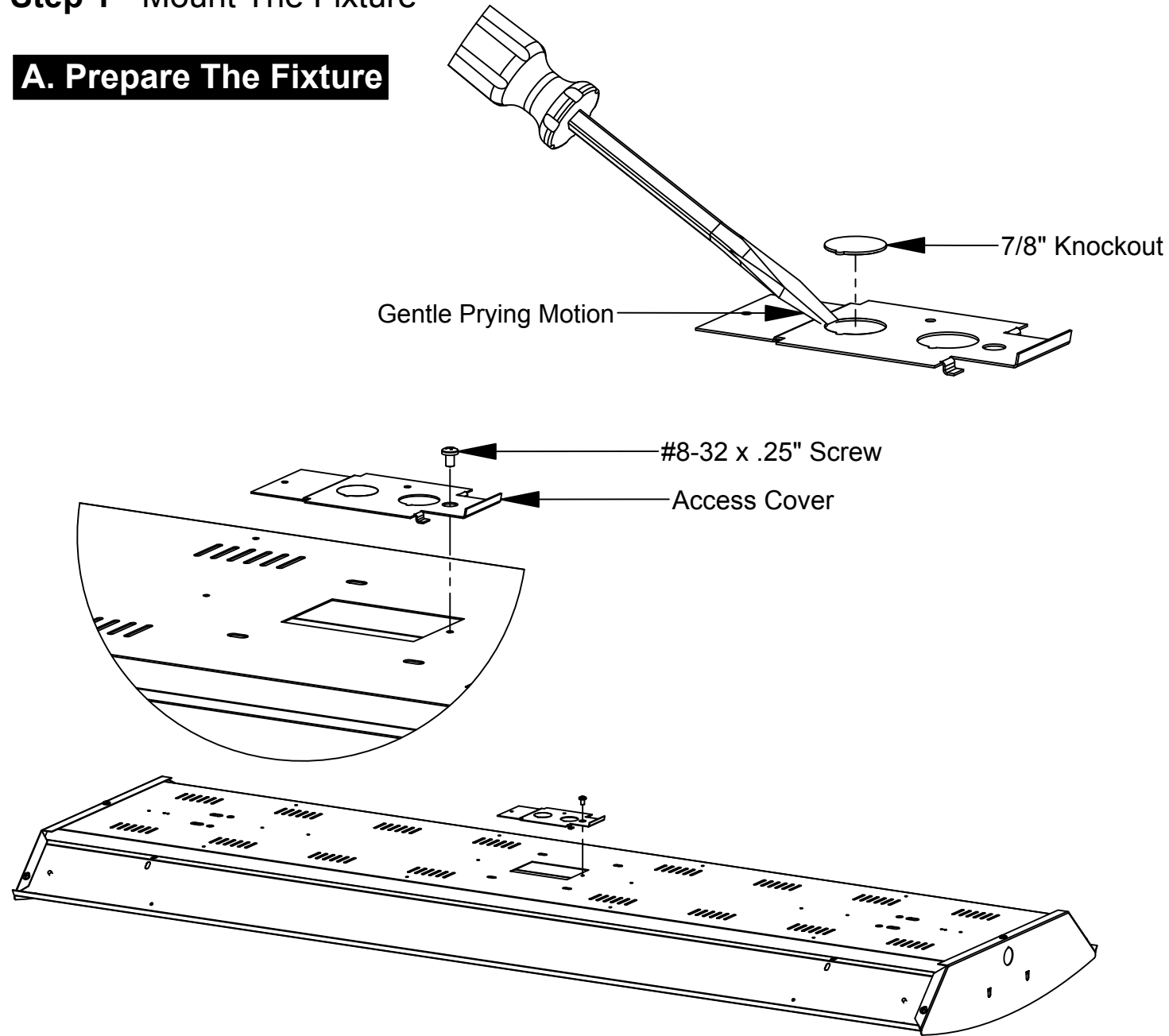


- Read entire install instructions before beginning installation.
- Unpack all components and arrange in order of install steps.
- For help with installation, please contact us at [www.saylite.com](http://www.saylite.com) or call us at (972) 247-3171.

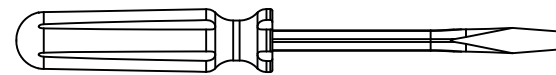
# HBC-FHBL-Pendant Installation Instructions

## Step 1 - Mount The Fixture

### A. Prepare The Fixture

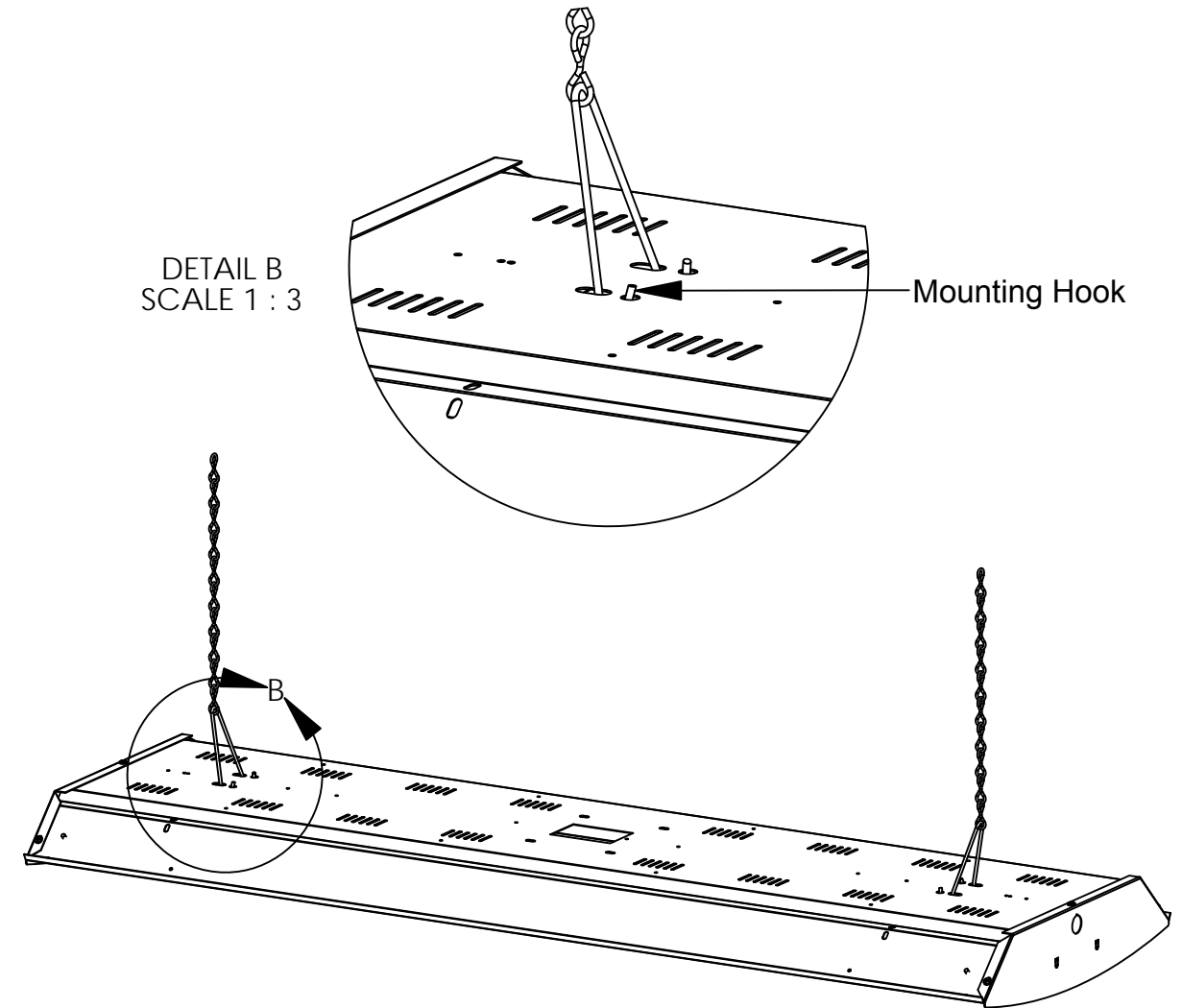


- Remove the access cover by removing (1) #8-32 x .25" screw as shown above.
- Remove the 7/8" knockout by using a gentle prying motion with the flat tip screwdriver as shown.

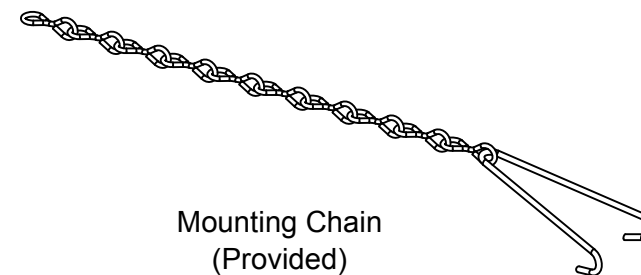


Flat Tip Screwdriver

### B. Install Mounting Chains



- Squeeze the provided mounting hook and insert it into the oblongs on the fixture as shown.
- <PARA >Rotate the mounting hook so that the ends slip out of the adjacent holes.
- Repeat on the opposite end of the fixture. The mounting hooks should face inward on the fixture.

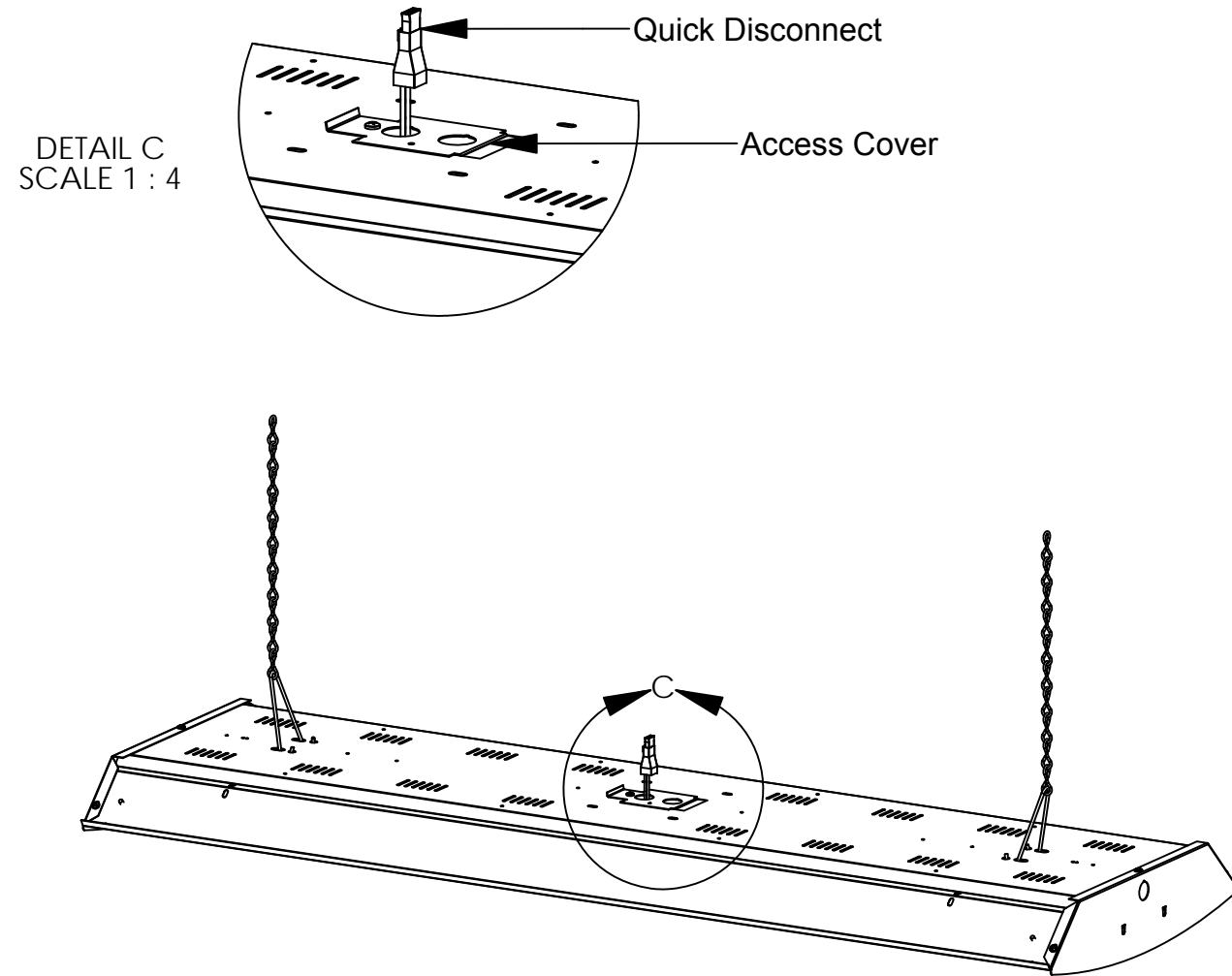


Mounting Chain  
(Provided)

# HBC-FHBL-Pendant Installation Instructions

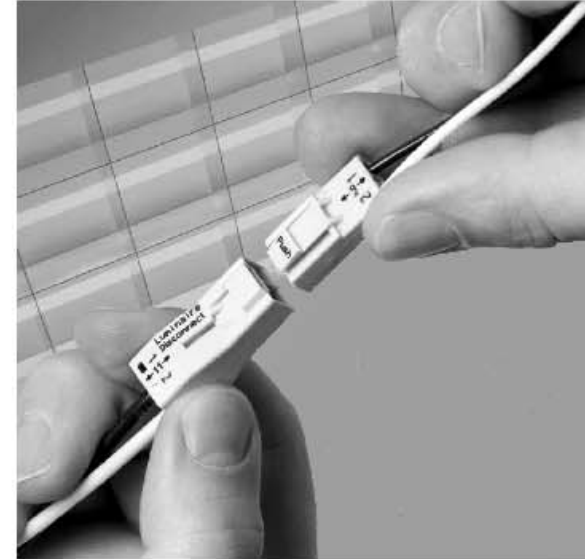
## Step 2 - Connect Power Cord

### A. Retrieve The Wiring



- Bring the fixture wiring thru the 7/8" knockout previously removed.
- Install the access cover and secure with the 8-32 x .25" screw.

### B. Wire The Fixture



- Connect the incoming supply to the power cord by following all local, state and national codes.
- Install is now complete.



Texas Fluorescents Reinvented

WIRING LEGEND		
Black	Hot	Line Voltage
White	Neutral	Line Voltage
Green	Ground	
Gray	Dimming	0-10V DC
Violet	Dimming	0-10V DC