

EWV-Recessed Grid Installation Instructions

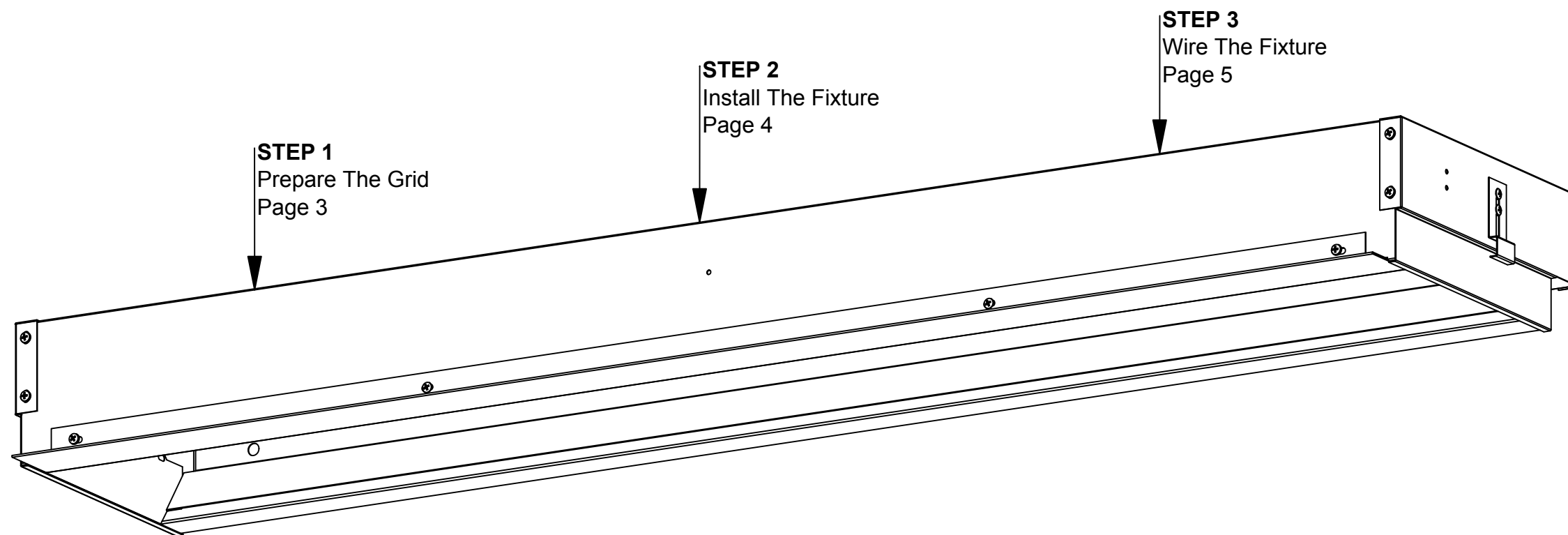
Overview

WARNINGS

- This product must be installed in accordance with all applicable codes by a person familiar with the product.
- Each fixture must be **properly supported** during install.
- **DO NOT** join fixtures on the floor prior to lifting, or damage will occur.
- **Before beginning installation**, review our complete list of warnings by visiting www.saylite.com/warnings.



Texas Fluorescents Reinvented



We believe
in the power
of light.



Your particular build may vary.

2019© Saylite | 2055 Luna Road, Suite 142 Carrollton, Texas 75006 | www.saylite.com

1 of 5

Form BWE - EWW-Recessed Grid V2 2/19

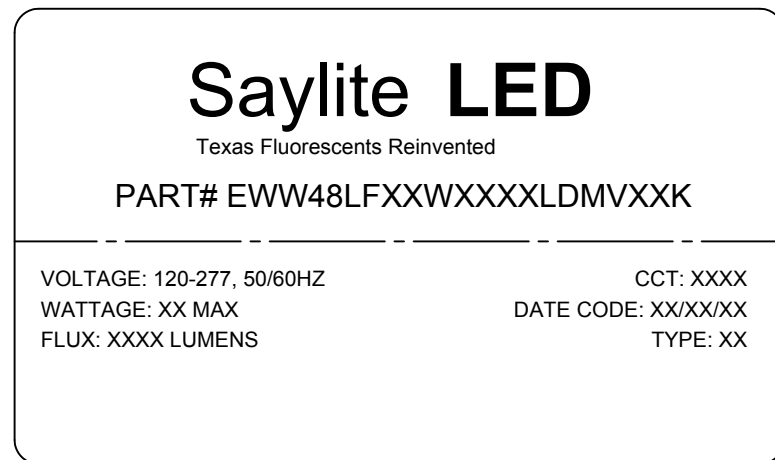
EWW-Recessed Grid Installation Instructions

Preparation - Tools/Parts Identification



Texas Fluorescents Reinvented

A. Identify Fixtures

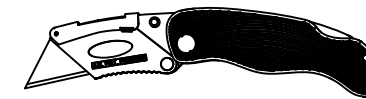


- Use labels found on the box and inside fixture bodies to identify bodies.
- **NOTE:** Locations of labels can vary.
- Remove all fixtures from their boxes.
- Organize fixtures based on their labels at the install location.

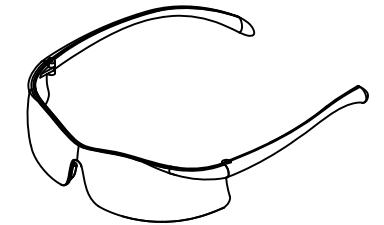
B. Tools Needed



Screwdriver



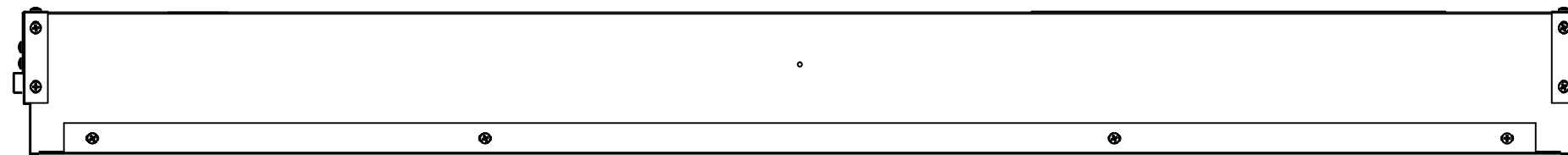
Utility Knife



Safety Glasses

- Always use proper safety equipment when installing fixtures.
- Tools shown are recommended for standard install. Tools needed may vary based on actual install location conditions.

C. Identify Parts



EWW-Recessed Grid Fixture
(Provided)

- Read entire install instructions before beginning installation.
- Unpack all components and arrange in order of install steps.
- For help with installation, please contact us at www.saylite.com or call us at (972) 247-3171.

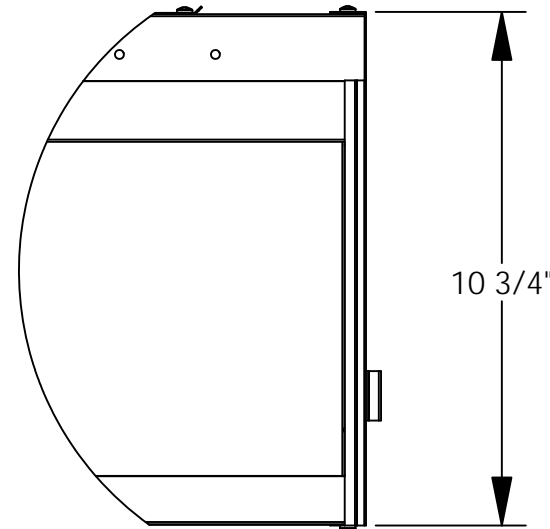
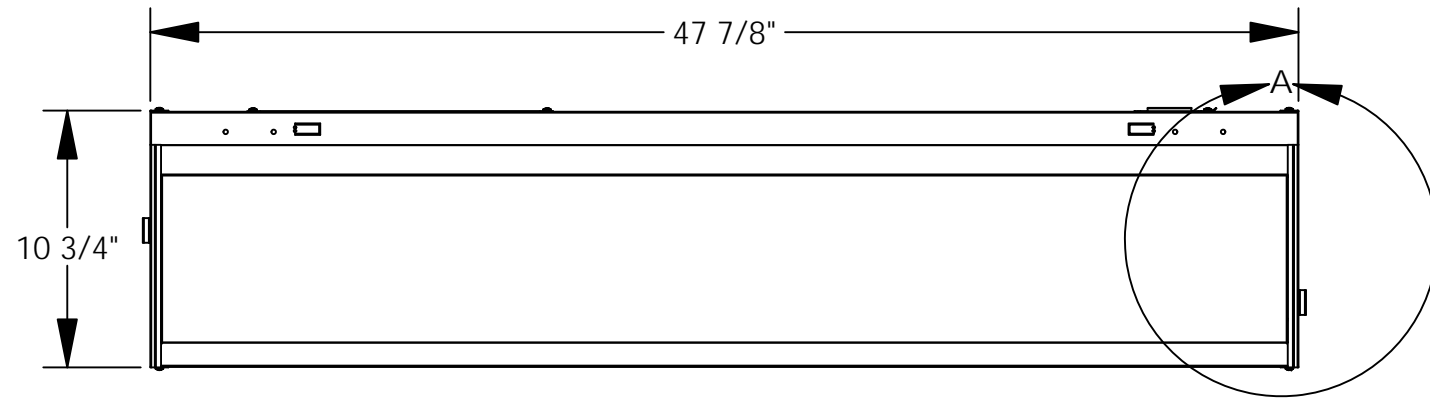
EWV-Recessed Grid Installation Instructions

Step 1 - Prepare The Grid



Texas Fluorescents Reinvented

A. Transfer Measurements

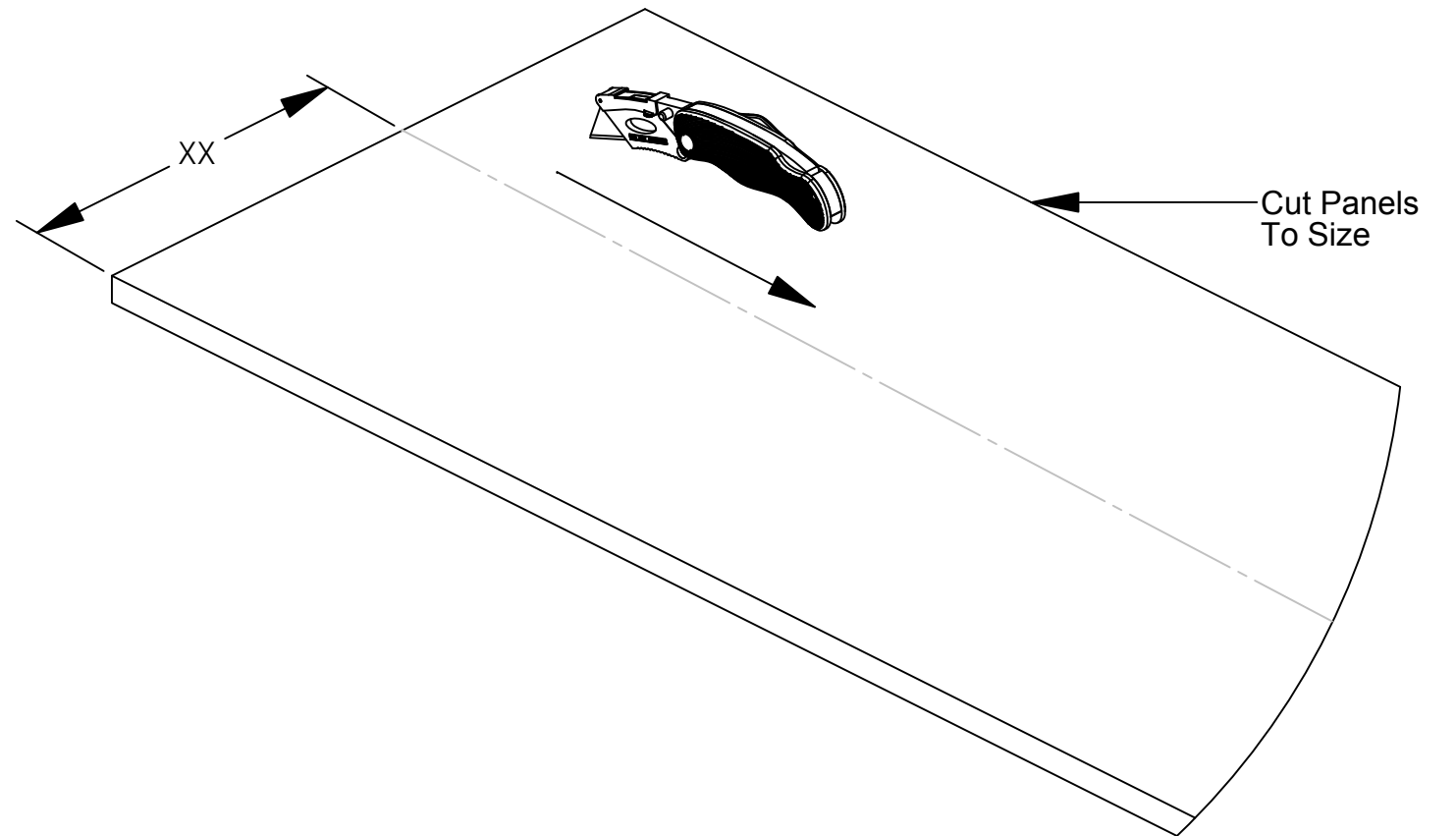


DETAIL A
SCALE 1 : 4

**Note: 3FT fixture shown,
fixture length may vary.**

- Note the length and width dimensions of the fixture, including the pre-installed flange.
- Transfer the dimensions to the grid. Set the grid rails to the proper width.

B. Cut Ceiling Panels



- Cut ceiling panels to fit the custom, fixture-spaced grid.

Items Used In This Step



Utility Knife

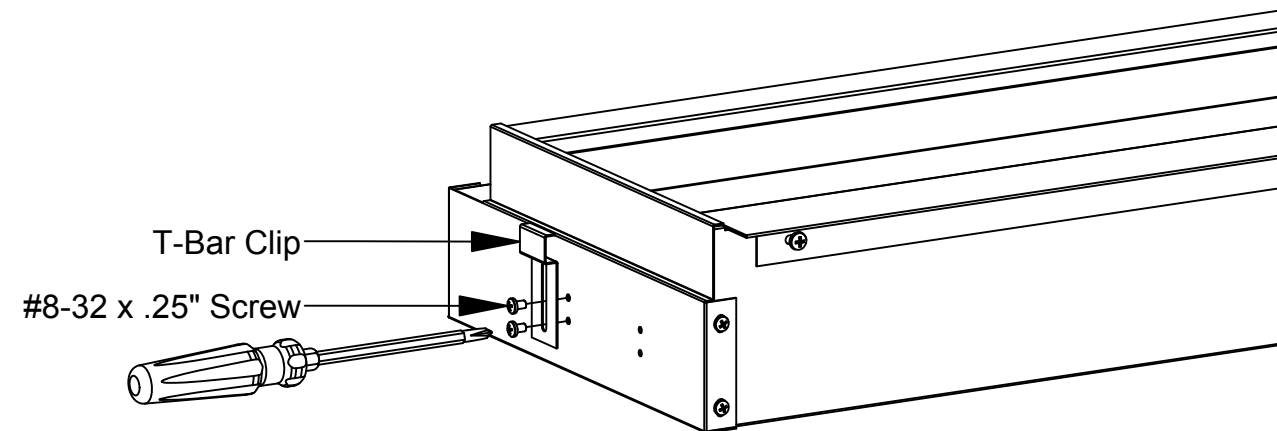
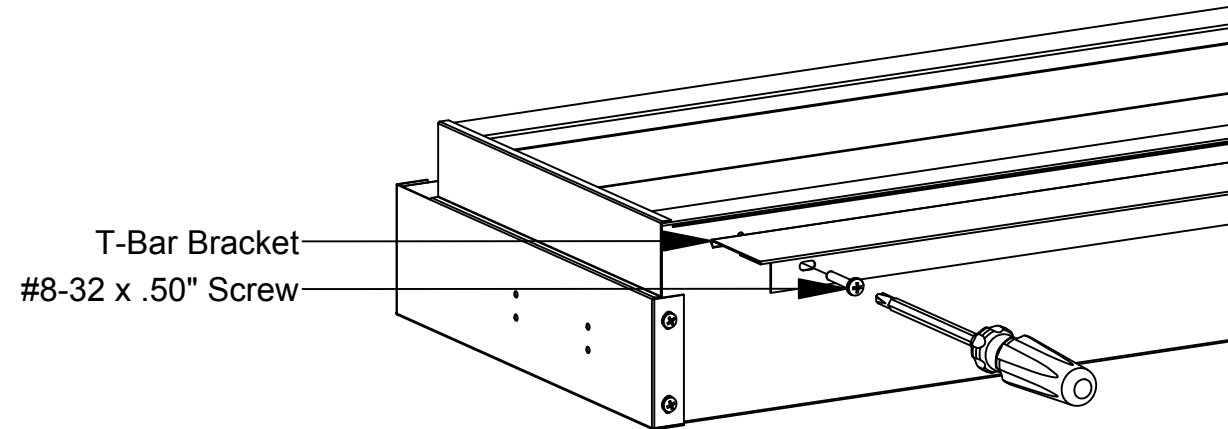
EWV-Recessed Grid Installation Instructions

Step 2 - Install The Fixture



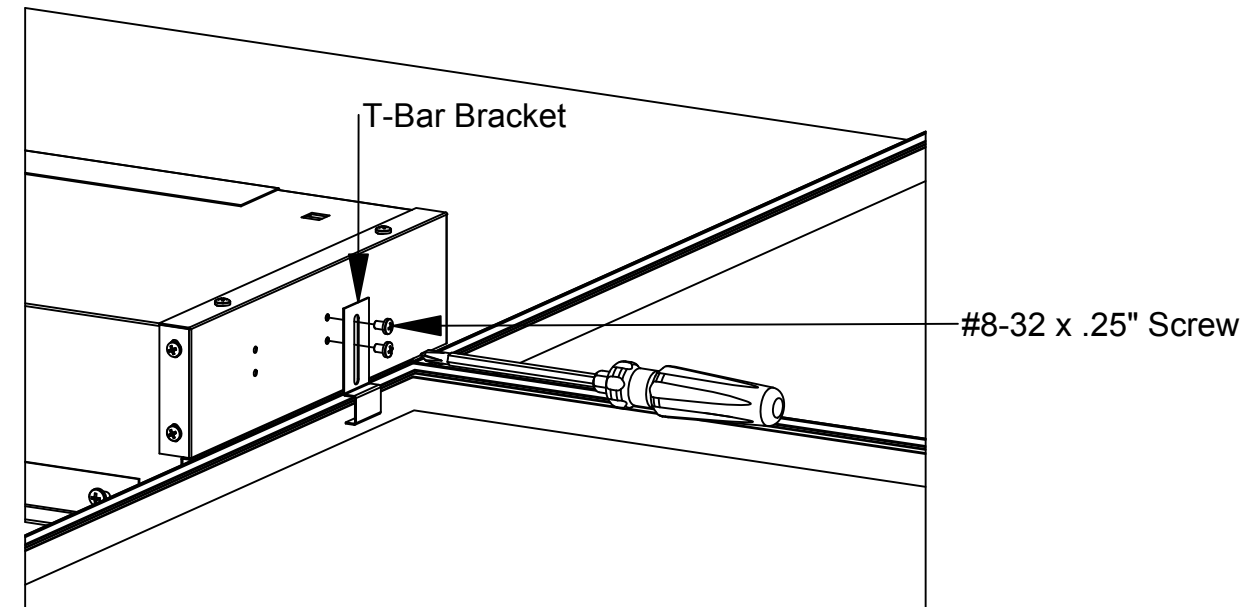
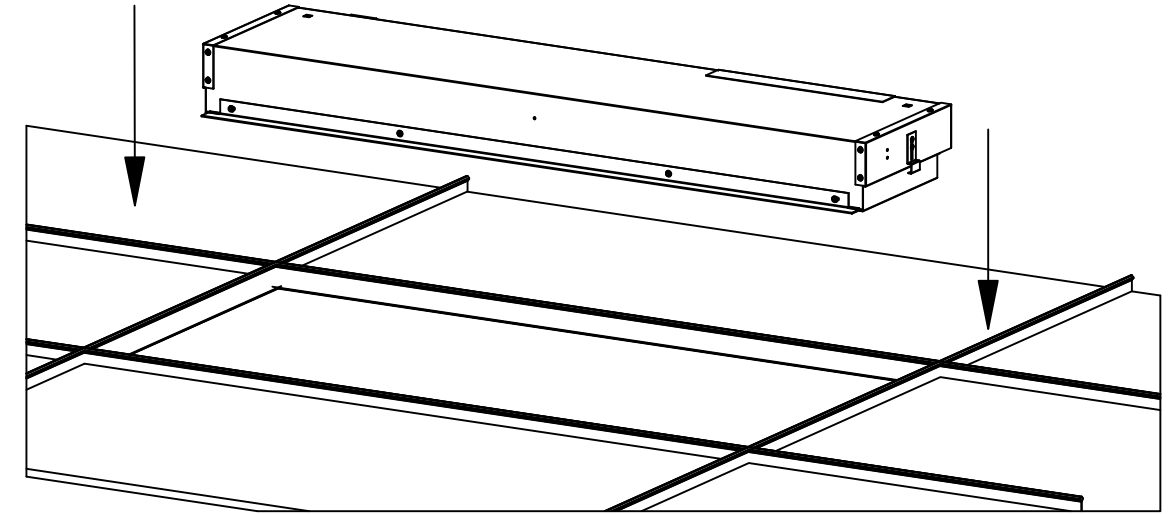
Texas Fluorescents Reinvented

A. Install Grid Parts



- Install the provided T-Bar Bracket to the fixture as shown. Secure with (4) #8-32 x .50" screws.
- Install the provided T-Bar Clip. Secure using (2) #8-32 x .25" screws, but do not fully tighten.
- Repeat installing the T-Bar Clip on the opposite end of the fixture.

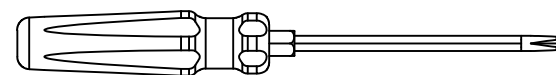
B. Install To The Grid



INSTALL T-BAR BRACKET

- Position the fixture to the grid as shown above.
- **Note:** All T-BAR brackets must be properly installed over the grid bars as shown. Tighten securely.

Items Used In This Step



Philips Screwdriver

EWV-Recessed Grid Installation Instructions

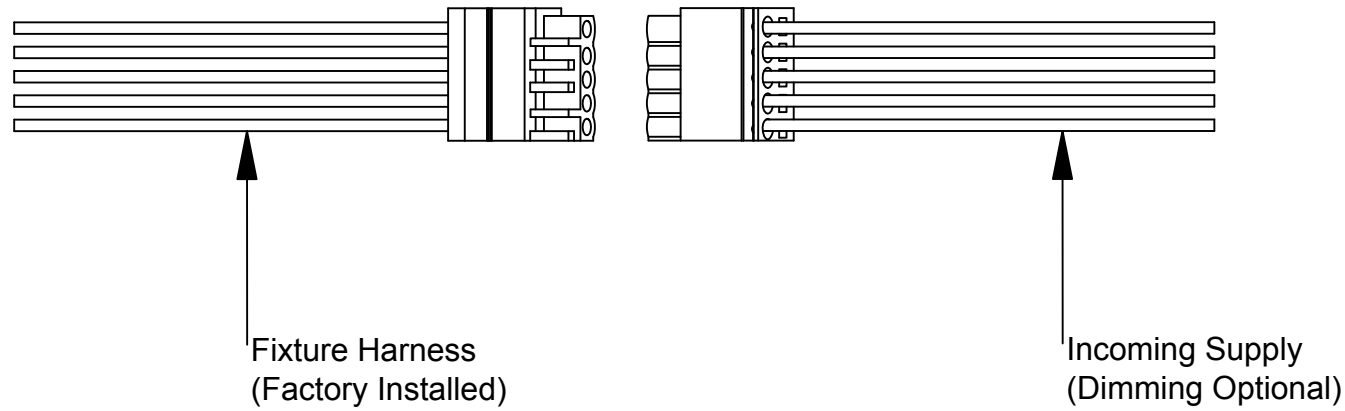
Step 3 - Wire The Fixture



Texas Fluorescents Reinvented

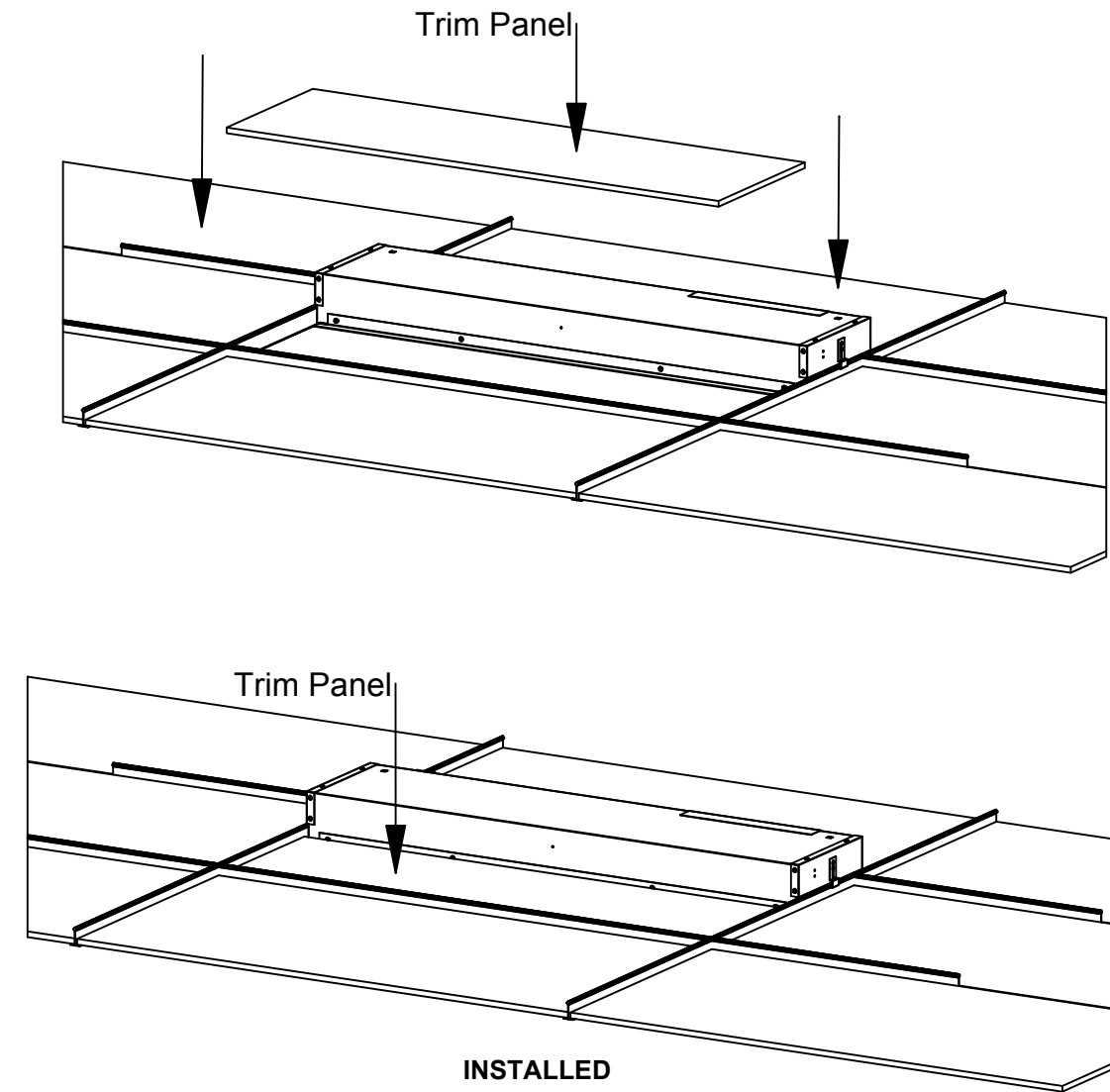
A. Connect Power Cord

WIRING LEGEND		
Black	Hot	Line Voltage
White	Neutral	Line Voltage
Green	Ground	
Gray	Dimming	0-10V DC
Violet	Dimming	0-10V DC



- Wire the fixture to the incoming supply. Refer to the wiring legend above as needed.
- **Note:** Use UL approved connectors only. Follow all local, state and national codes.

B. Install Trim Panel



- Cut a piece of trim panel to fit the space between the fixture and the grid, and install as shown.
- If the fixture has fluorescent lamp, install now.
- Install is now complete.

Items Used In This Step



Utility Knife