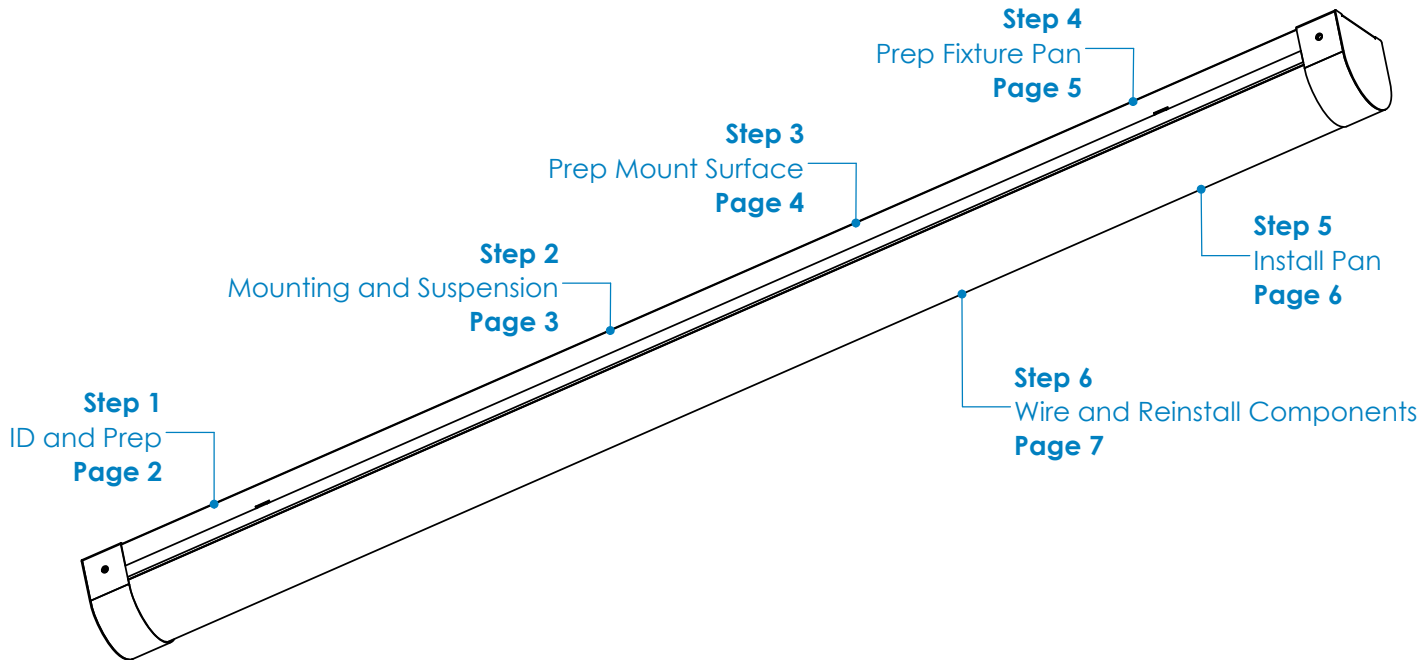


DKS-Surface/Wall Mount Installation Instructions

Overview

WARNINGS

- This product must be installed in accordance with all applicable codes by a person familiar with the product.
- Each fixture must be **properly supported** during install.
- **DO NOT** join fixtures on the floor prior to lifting, or damage will occur.
- **Before beginning installation**, review our complete list of warnings by visiting www.saylite.com/warnings.



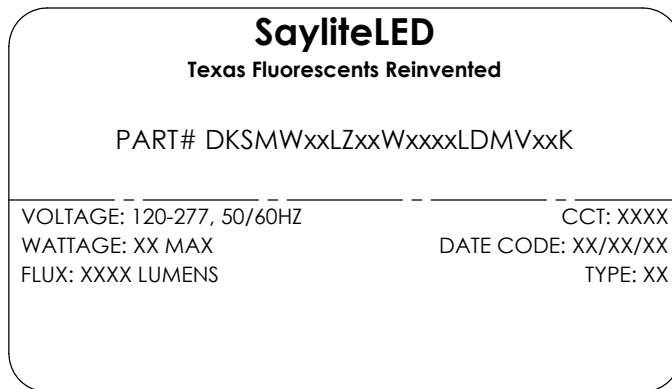
Your particular build may vary.

2020© Saylite | 2055 Luna Road, Suite 142 Carrollton, Texas 75006 | www.saylite.com

DKS-Surface/Wall Mount Installation Instructions

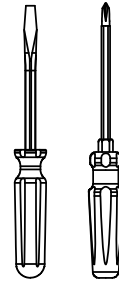
Step 1 - Identification and Preparation

A. Identify Fixtures



- Use labels found on the box and inside the fixture bodies to identify bodies.
- **NOTE:** Locations of labels can vary.
- Remove all fixtures from their boxes.
- Organize fixtures based on their labels at the install location.

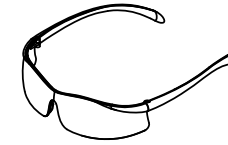
B. Tools Needed



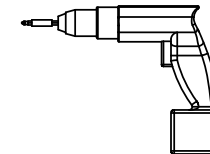
Screwdrivers



Pliers



Safety Glasses



Drill
(optional)

- Always use proper safety equipment when installing fixtures.
- Tools shown are recommended for standard install. Tools needed may vary based on actual install location conditions.

Kitted Hardware

- Saylite has provided the items listed here, with their Saylite part numbers listed. These items can be found in separate boxes shipped with the fixture.
- Ensure all parts are accounted for and set them aside until needed.
- Any additional hardware needed for this installation will be provided by others.

DKS-Surface/Wall Mount Installation Instructions

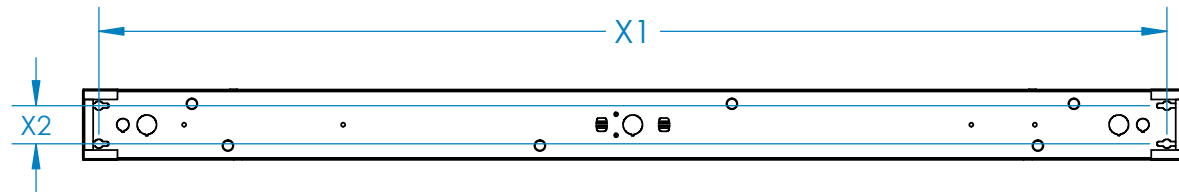
Step 2 - Mounting and Suspension

Mounting

Drywall or other hard surfaces - Anchored Screws*

- Install hanging kits at suspension locations.
- Ensure hanging kits are secure.
- Prepare fixture for mounting.

Other hard surfaces include: wood, sheet metal panels, steel beams, concrete or masonry. Use hardware appropriate for each surface and material type.



Suspension Locations

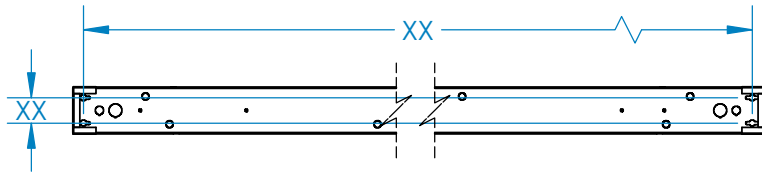
X = Suspension Dimensions

Refer to Assembly Drawings and building plans to determine exact mounting, suspension points, and power feed locations.

DKS-Surface/Wall Mount Installation Instructions

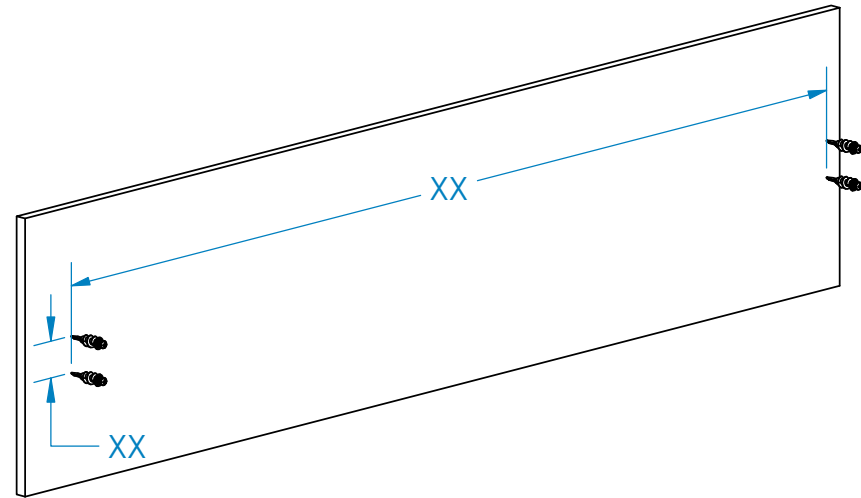
Step 3 - Prepare Mounting Surface

A. Transfer Measurements



- Note the fixture mounting dimensions and transfer the dimensions to mounting surface.

B. Install Anchors

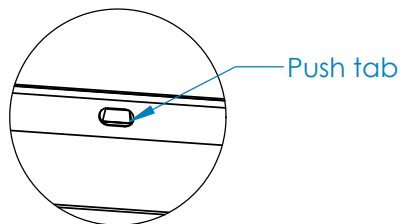
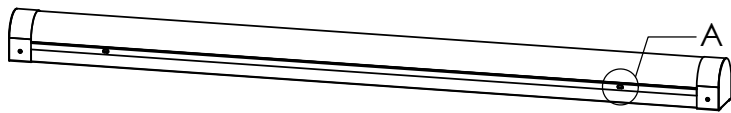


- Install the screw anchors (not provided) to the mounting surface at noted dimensions.

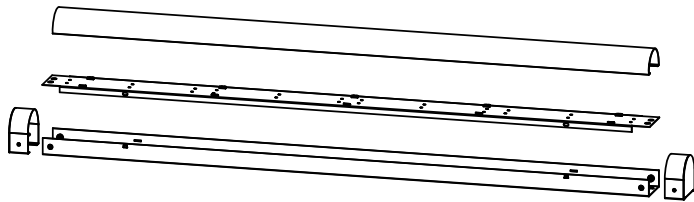
DKS-Surface/Wall Mount Installation Instructions

Step 4 - Prepare Fixture Pan for Mounting

A. Uninstall Components

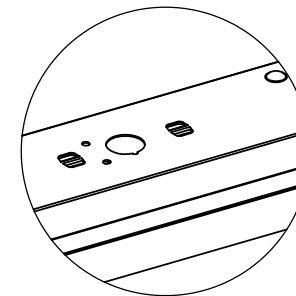
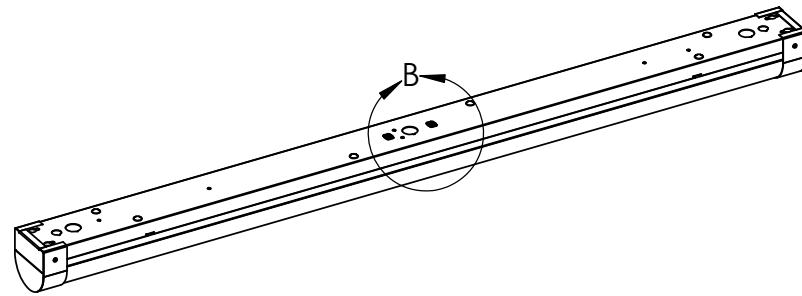


DETAIL A
SCALE 1 : 2



- Uninstall the endcaps by removing the screws on each side of the fixture that secure the endcaps.
- Lift the lens off the gear tray, then push in the tabs on the pan to remove the gear tray from the pan.

B. Remove 7/8" Knockout



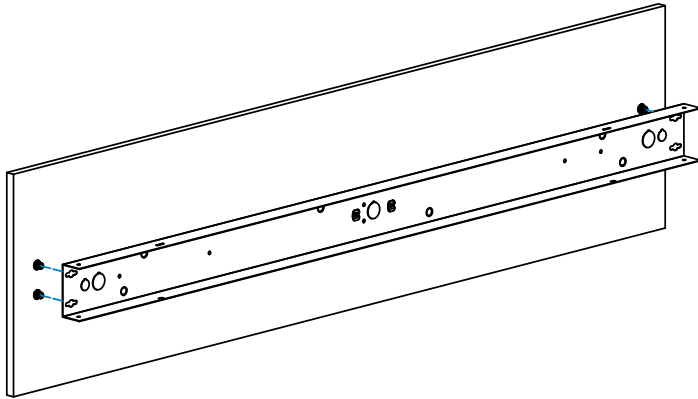
DETAIL B
SCALE 1 : 4

- Use a flat head screwdriver to gently pry up on desired knockout and remove it.

DKS-Surface/Wall Mount Installation Instructions

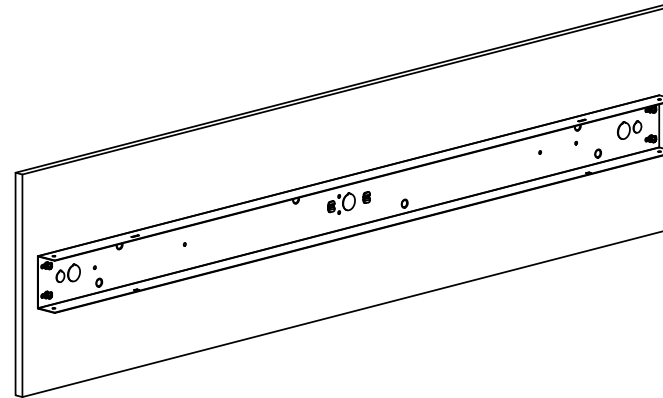
Step 5 - Install Fixture Pan

A. Insert Pan to Anchors



- Pull supply wiring thru the removed 7/8" knockout.
- Insert fixture pan to mounting anchors.

B. Secure Pan to Mounting Surface



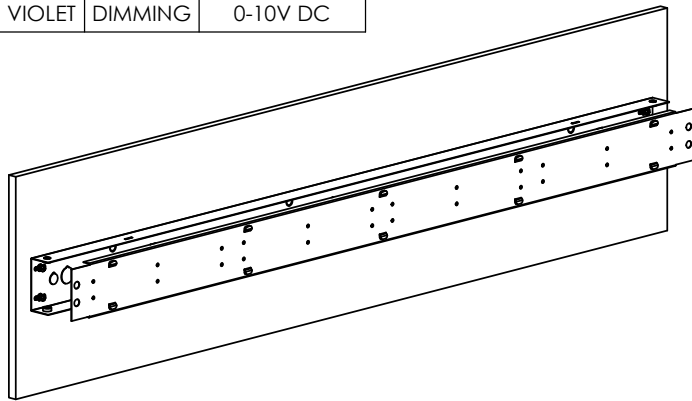
- Secure the fixture pan to the mounting surface using appropriate hardware.
- Ensure mounting hardware slips into keyholes on back of fixture pan.

DKS-Surface/Wall Mount Installation Instructions

Step 6 - Wire and Replace Components

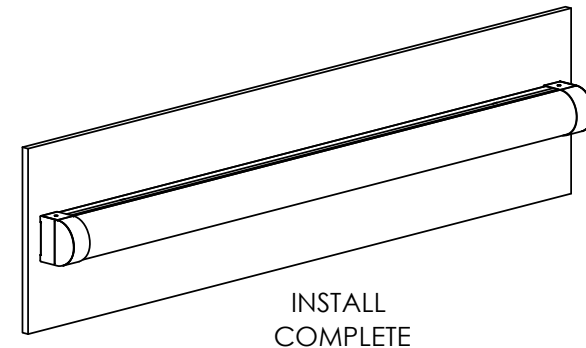
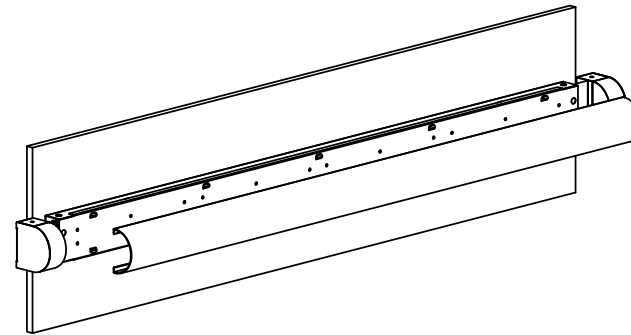
A. Install Gear Tray and Wire

WIRING LEGEND		
BLACK	HOT	Line Voltage
WHITE	NEUTRAL	Line Voltage
GREEN	GROUND	
GRAY	DIMMING	0-10V DC
VIOLET	DIMMING	0-10V DC



- Wire fixtures to the incoming power supply using the provided quick disconnect clip.
- For dimming option, refer to wiring legend above.
- Use UL approved connectors only. Follow all local, state and national codes.
- Reinstall the gear tray to the pan by aligning the tabs with the slots on the pan and snapping the tabbed side into place.

B. Replace Components



- Reinstall the lens by snapping each side over the edge of the gear tray.
- Reinstall the end caps, slide each end cap over the fixture end then secure with previously removed screws.
- Fixture installation is now complete.