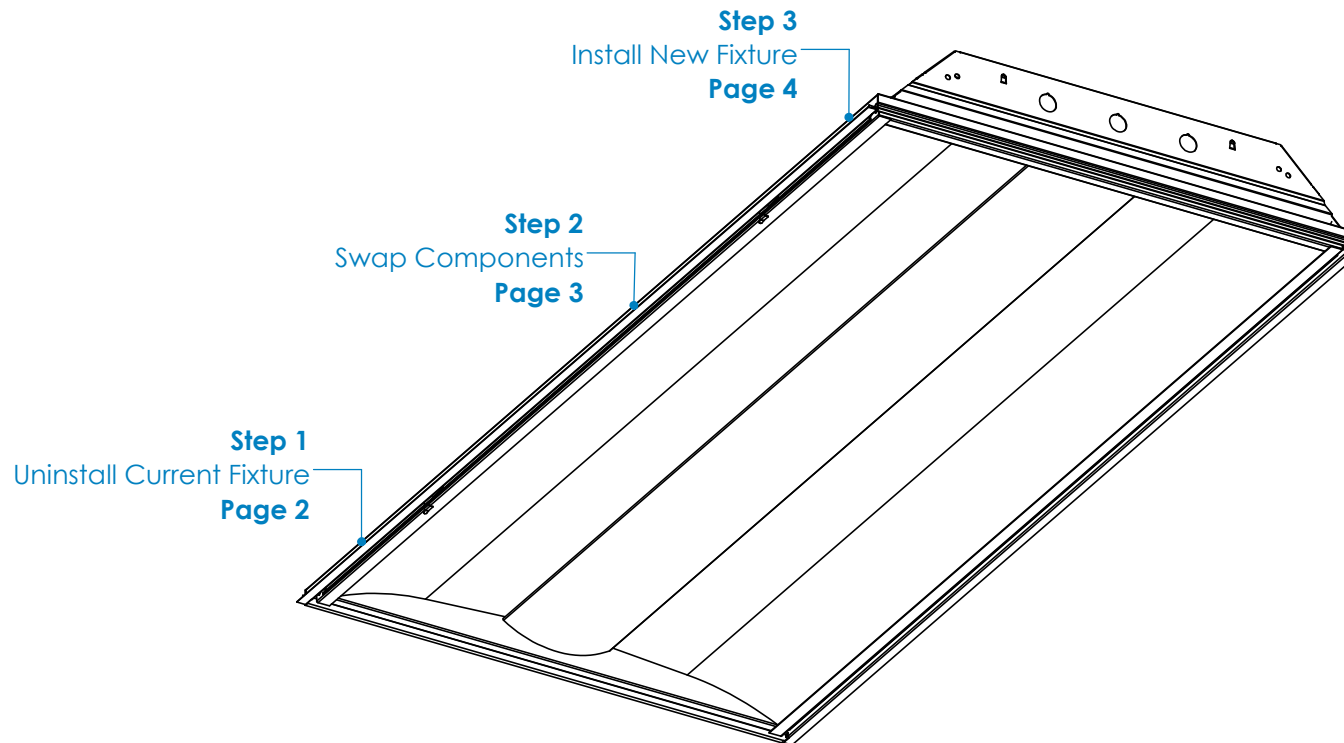


CRV Pan & Door Frame Replacement Instructions

Overview

WARNINGS

- This product must be installed in accordance with all applicable codes by a person familiar with the product.
- Each fixture must be **properly supported** during install.
- **DO NOT** join fixtures on the floor prior to lifting, or damage will occur.
- **Before beginning installation**, review our complete list of warnings by visiting www.saylite.com/warnings.



Your particular build may vary.

2021© Saylite | 2055 Luna Road, Suite 142 Carrollton, Texas 75006 | www.saylite.com

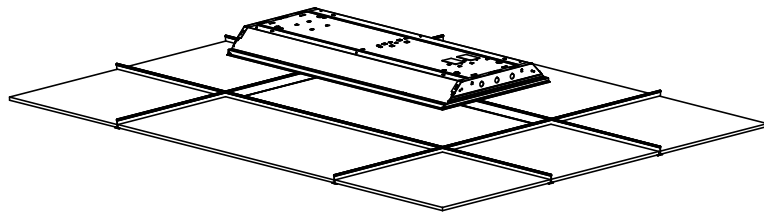
CRV Pan & Door Frame Replacement Instructions

Step 1 - Uninstall and Disassemble Current Fixture



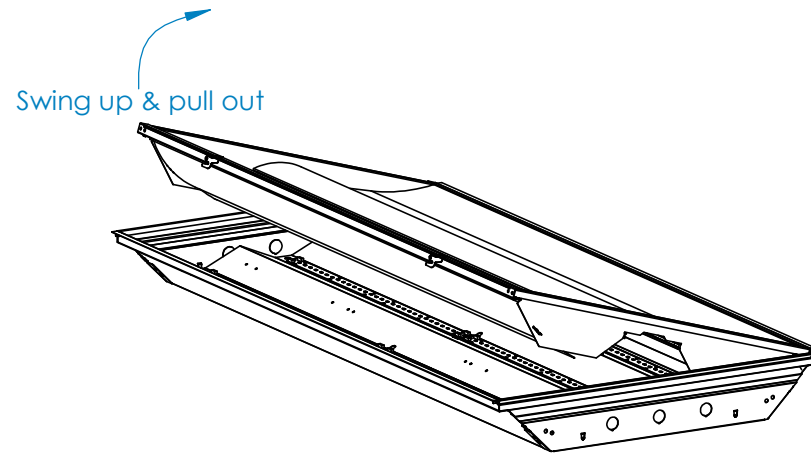
Texas Fluorescents Reinvented

A. Disconnect Power & Uninstall



- **Shut off power supply to fixture before disconnecting any wiring components.**
- Disconnect power feed from fixture according to all local, state and national codes.
- Lift the old fixture up out of the grid and place it in a safe working location.

B. Open Door Frame



- Locate the latches that secure the door frame to the fixture pan and release the latches.
- Swing the door frame out and then fully lift the door frame out of the pan to expose electrical components.

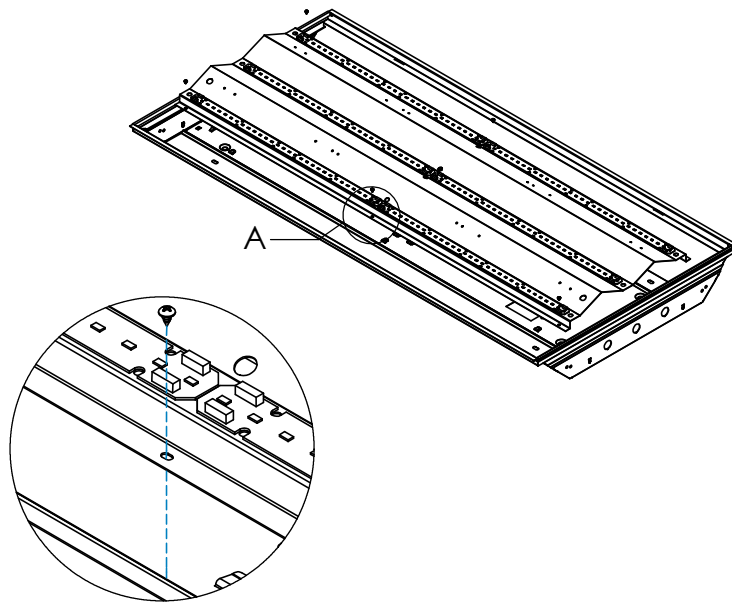
CRV Pan & Door Frame Replacement Instructions

Step 2 - Swap Electronics to New Fixture Pan



Texas Fluorescents Reinvented

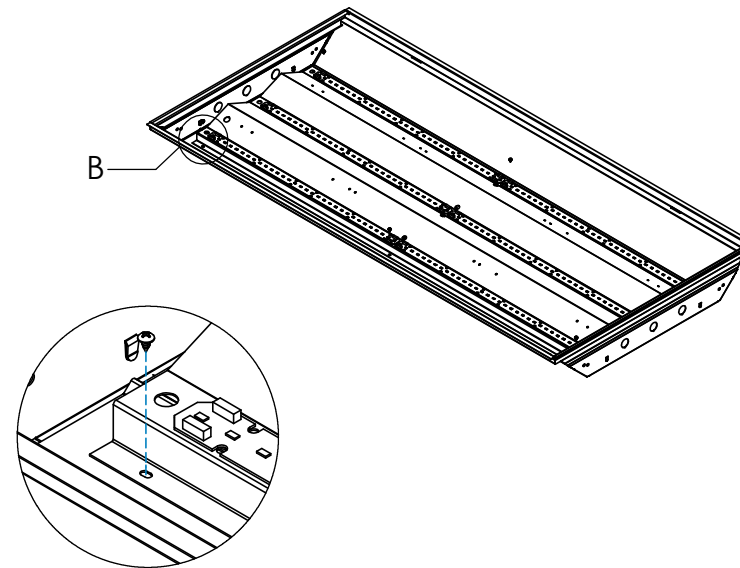
A. Remove Gear Tray from Old Fixture



DETAIL A
SCALE 1 : 3

- Uninstall the screws securing the gear tray to the old fixture pan.
- Carefully lift the gear tray out of the old fixture pan, ensure any attached wiring isn't damaged in the process.

B. Install Gear Tray to New Fixture Pan



DETAIL B
SCALE 1 : 3

- Align gear tray in new fixture pan, pull any connected wiring thru desired access plate on the back of the new fixture pan.
- Once the gear tray is aligned, use TEK screws to secure the gear tray to the new fixture pan.

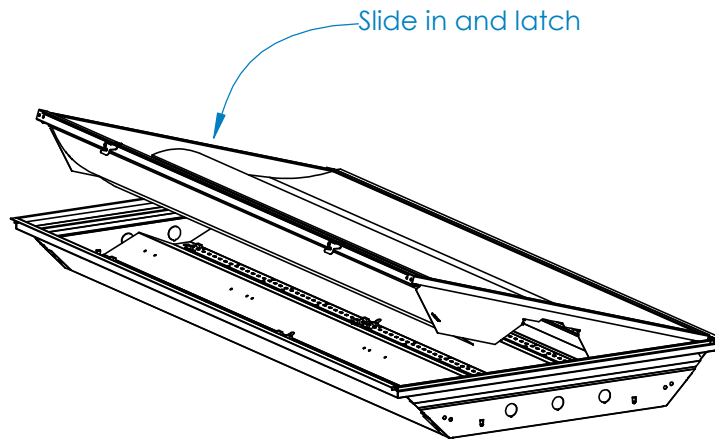
CRV Pan & Door Frame Replacement Instructions

Step 3 - Install & Wire New Fixture



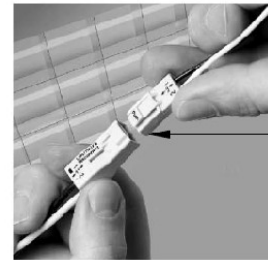
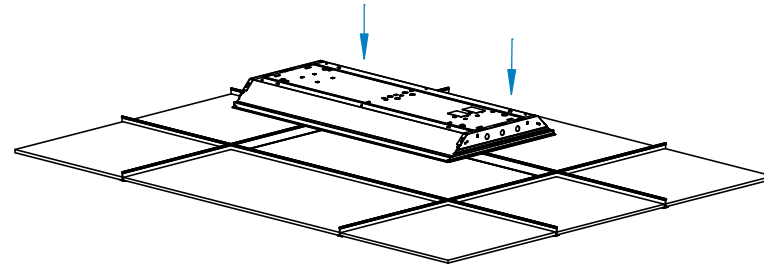
Texas Fluorescents Reinvented

A. Install New Door Frame to Fixture



- Insert new fixture door frame with the non-latch side first.
- Rotate the other side down and latch the door frame onto the fixture pan.
- Check to ensure that non-latched side of door frame has a tight fit and latches are fully secured to fixture pan.

B. Install Fixture to Grid and Connect Wiring



WIRING LEGEND		
BLACK	HOT	Line Voltage
WHITE	NEUTRAL	Line Voltage
GREEN	GROUND	
GRAY	DIMMING	0-10V DC
VIOLET	DIMMING	0-10V DC

- Install the newly assembled fixture to the grid. Lay the fixture in the grid, ensuring the pan is fully resting on the grid.
- Wire the fixture to the incoming power supply using the provided quick disconnect clip.
- For dimming option, refer to wiring legend above.
- Use UL approved connectors only. Follow all local, state and national codes. Repeat for all remaining fixtures.
- Fixture installation is complete.