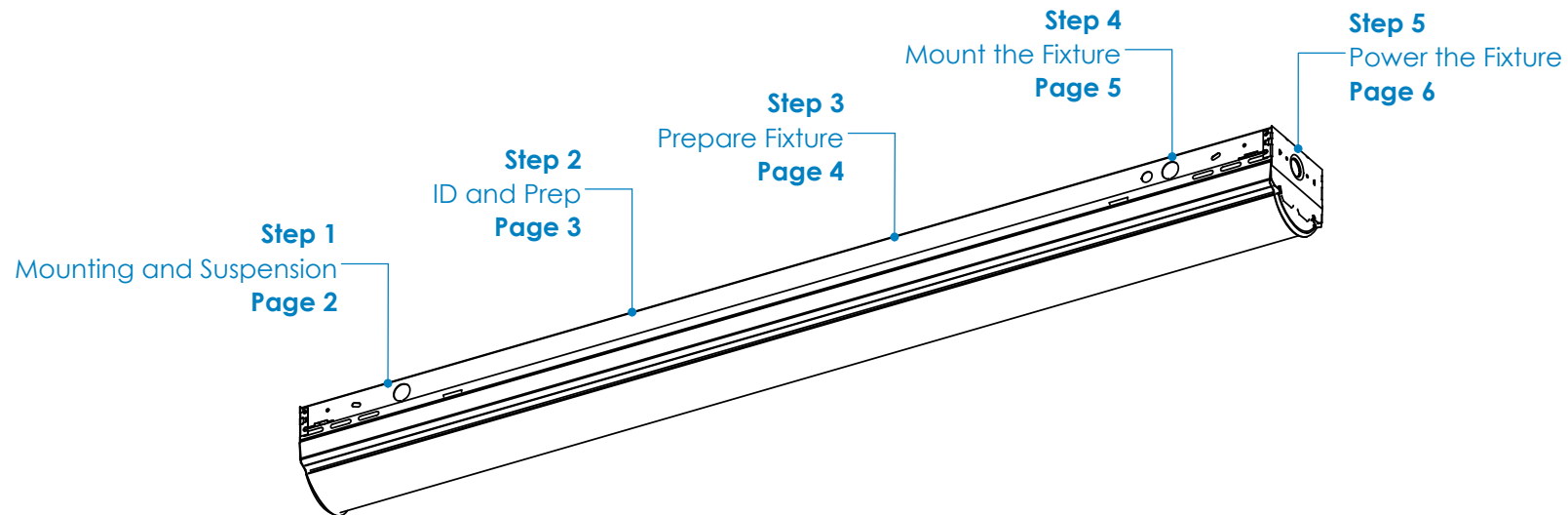


CRSR Installation Instructions

Overview

WARNINGS

- This product must be installed in accordance with all applicable codes by a person familiar with the product.
- Each fixture must be **properly supported** during install.
- **DO NOT** join fixtures on the floor prior to lifting, or damage will occur.
- **Before beginning installation**, review our complete list of warnings by visiting www.saylite.com/warnings.



Your particular build may vary.

2020© Saylite | 2055 Luna Road, Suite 142, Carrollton, TX 75006 | www.saylite.com

CRSR Installation Instructions

Step 1 - Mounting and Suspension

Mounting

Drywall or other hard surfaces - Anchored Screws

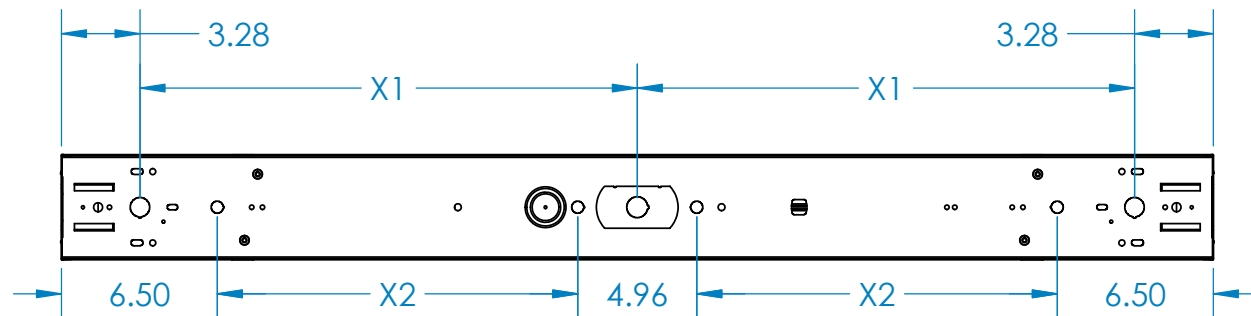
- Install hanging kits at suspension locations.
- Ensure hanging kits are secure.
- Prepare fixture for mounting.

Other hard surfaces include: wood, sheet metal panels, steel beams, concrete or masonry. Use hardware appropriate for each surface and material type.

Suspension Locations

X = Suspension Dimensions

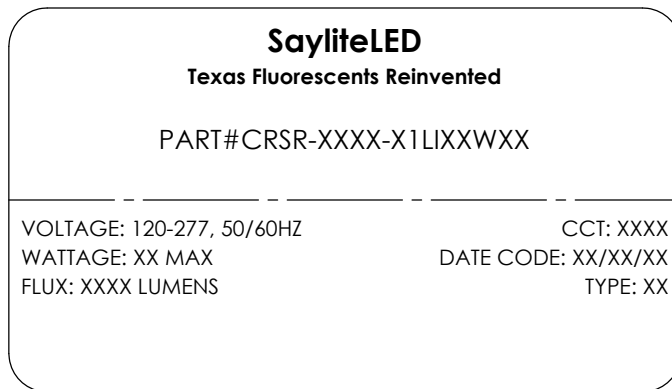
Refer to Assembly Drawings and building plans to determine exact mounting, suspension points, and power feed locations.



CRSR Installation Instructions

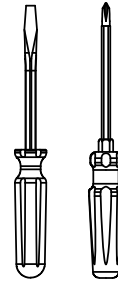
Step 2 - Identification and Preparation

A. Identify Fixtures



- Use labels found on the box and inside the fixture bodies to identify bodies.
- **NOTE:** Locations of labels can vary.
- Remove all fixtures from their boxes.
- Organize fixtures based on their labels at the install location.

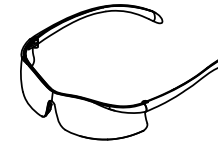
B. Tools Needed



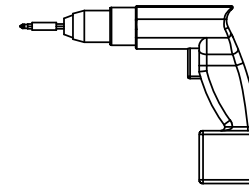
Screwdrivers



Pliers



Safety Glasses



Drill
(optional)

- Always use proper safety equipment when installing fixtures.
- Tools shown are recommended for standard install. Tools needed may vary based on actual install location conditions.

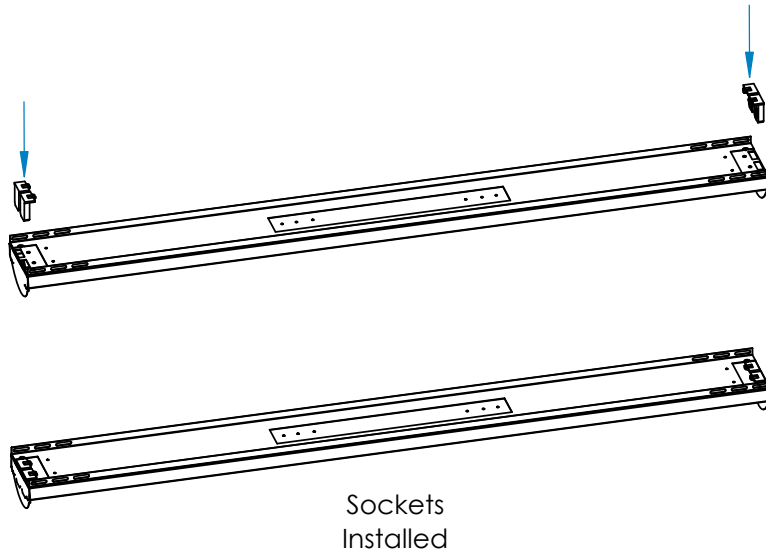
Kitted Hardware

- Saylite has provided the items listed here, with their Saylite part numbers listed. These items can be found in separate boxes shipped with the fixture.
- Ensure all parts are accounted for and set them aside until needed.
- Any additional hardware needed for this installation will be provided by others.

CRSR Installation Instructions

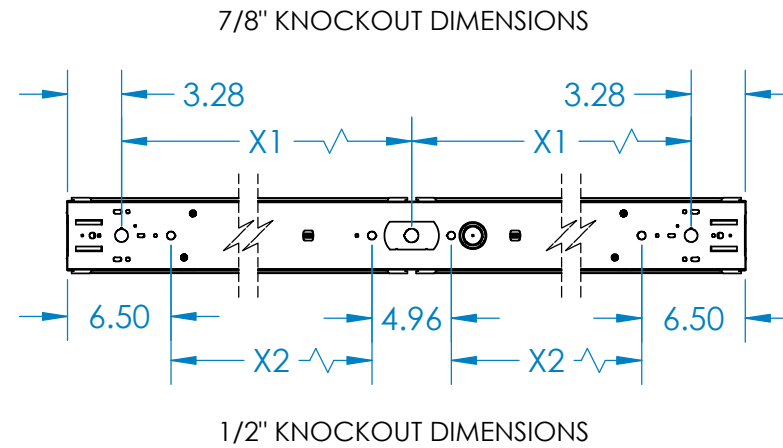
Step 3 - Prepare the Fixture

A. Install Sockets



- Install the X1 sockets to the pre-assembled socket bar(s) and CRSR pan.
- Ensure that sockets snap into place. For 8 ft fixtures, ensure that sockets are correctly oriented before installing.

B. Remove Desired Knockouts

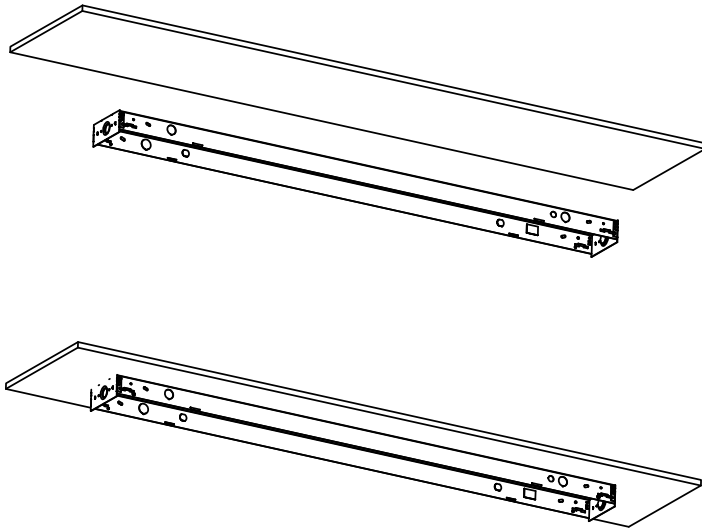


- Prior to mounting the fixture, remove desired knockouts for wiring. Refer to above diagram for knockout locations.
- Drill access holes into mounting surface at knockout locations before mounting fixture.

CRSR Installation Instructions

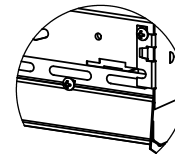
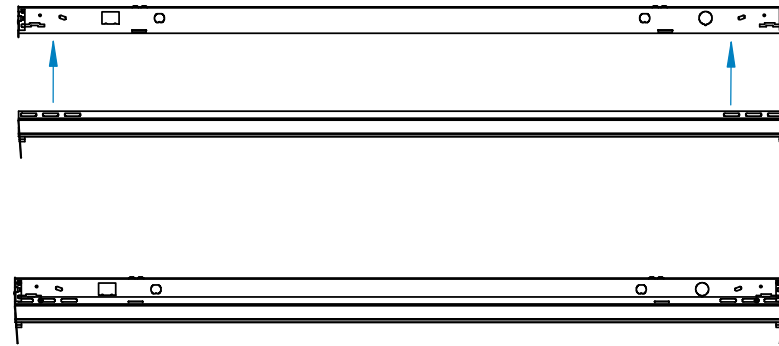
Step 4 - Mount the Fixture

A. Mount C-Strip Pan to Ceiling

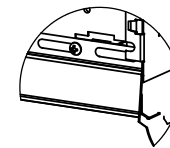


- Mount the C-Strip pan to the mounting surface. Ensure that power cable hole is drilled before mounting.
- Use anchored screws (not provided) to secure pan to mounting surface.

B. Secure to C-Strip Pan



DETAIL A
SCALE 1 : 4



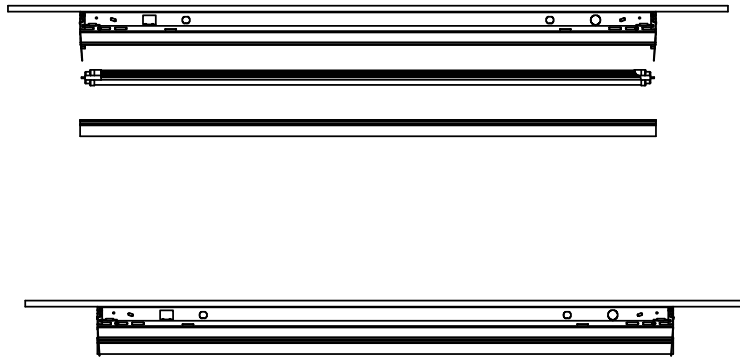
DETAIL B
SCALE 1 : 4

- Insert the CRSR pan to the C-Strip pan and use the provided screws to secure the CRSR pan to the C-Strip pan.
- Tighten the screws to ensure the pans are secured to one another.

CRSR Installation Instructions

Step 5 - Power the Fixture

A. Install Components



- Install the X1 bulbs (not provided) and to the bulb sockets and snap the lens into place.
- Ensure that the bulbs are oriented correctly and secured before installing the lens.

B. Connect Fixture Wiring

WIRING LEGEND		
BLACK	HOT	Line Voltage
WHITE	NEUTRAL	Line Voltage

- Wire fixture to the incoming power supply. Connect black fixture wire to black power wire and white fixture wire to white power wire. Wire nuts (not provided) are recommended.
- Use UL approved connectors only. Follow all local, state and national codes.